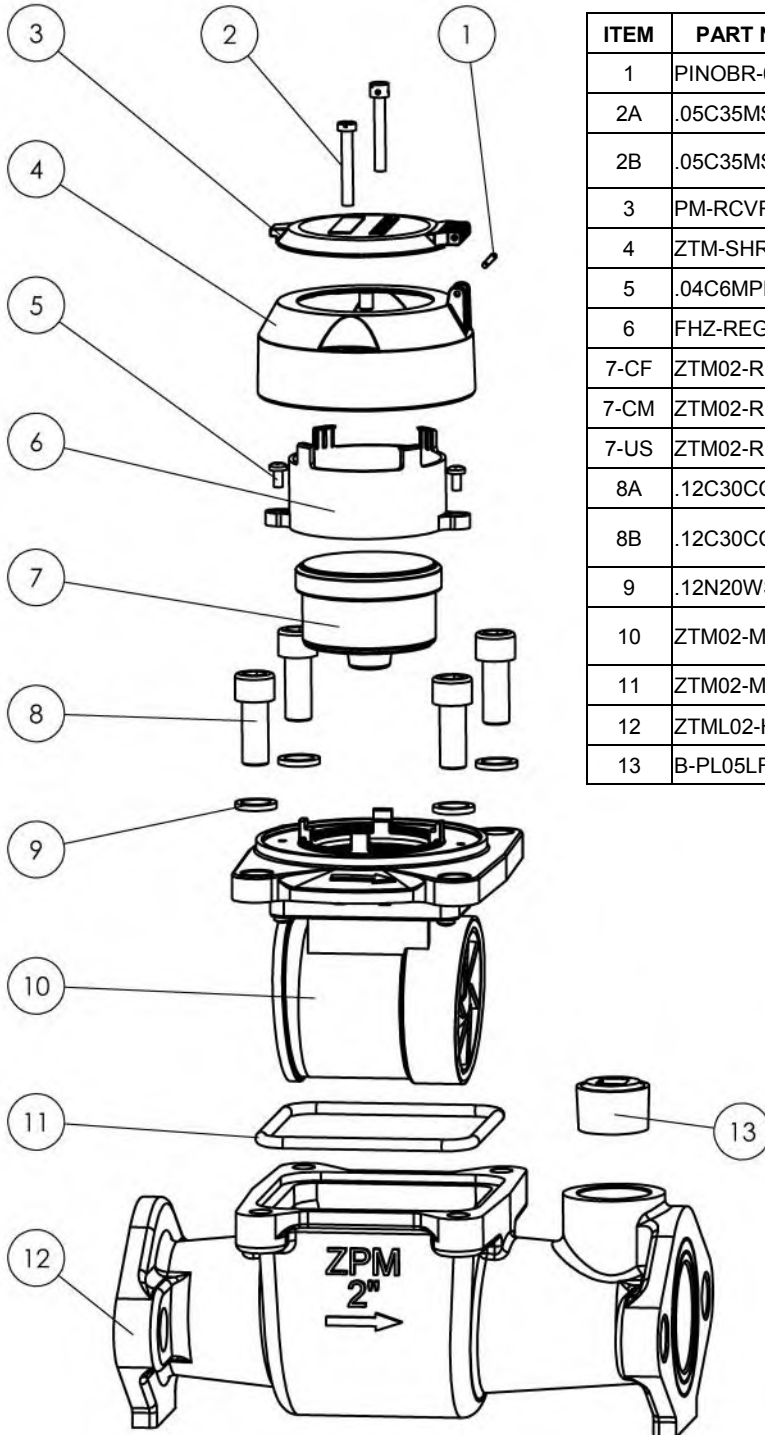


ZENNER Cast Iron Turbine Meters Parts List for Model ZTML02 (Size 2")

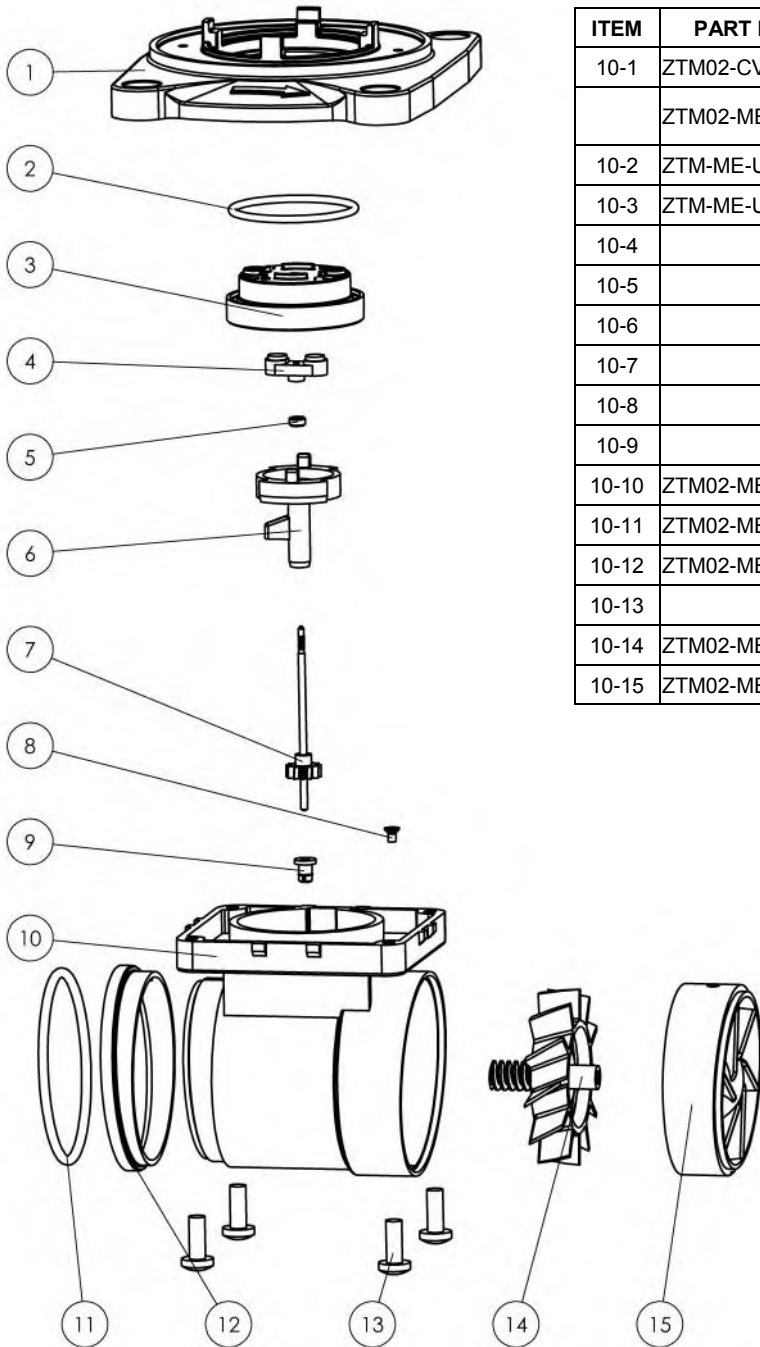


ITEM	PART NUMBER	DESCRIPTION	QTY
1	PINOBR-098-100	Register Cover Hinge Pin	1
2A	.05C35MSPS	Screw Slot Fillister Head SS M5-0.8 x 35	1
2B	.05C35MSPS-DH	Screw Slot Fillister Head SS M5-0.8 x 35, with Tamper Wire Hole	1
3	PM-RCVR-XB	Register Cover, Brass	1
4	ZTM-SHR-B	ZTM Brass Register Shroud	1
5	.04C6MPPS	Screw Phil Pan SS M4-0.7 x 6	2
6	FHZ-REG-RR	FHZ/ZTM Register Retaining Ring	1
7-CF	ZTM02-REG-CF	Register, 2" Turbine, Cubic Feet	1
7-CM	ZTM02-REG-CM	Register, 2" Turbine, Cubic Meters	1
7-US	ZTM02-REG-US	Register, 2" Turbine, U.S. Gallons	1
8A	.12C30CCSS	Bolt Socket Cap SS M12-1.75 x 30	3
8B	.12C30CCSS-DH	Bolt Socket Cap SS M12-1.75 x 30, with Tamper Wire Hole	1
9	.12N20WSHS	Washer Flat SS M12 x 20 OD	4
10	ZTM02-MEA-WCP	ZTM02 Measuring Element with Cast Iron Cover Plate	1
11	ZTM02-ME-GSKT	ZTM02 Measuring Element Gasket	1
12	ZTML02-HSG	ZTML02 Housing, 2", Cast Iron, 10"LL	1
13	B-PL05LF	Plug Brass 1" MIP Cored	1

ZENNER USA

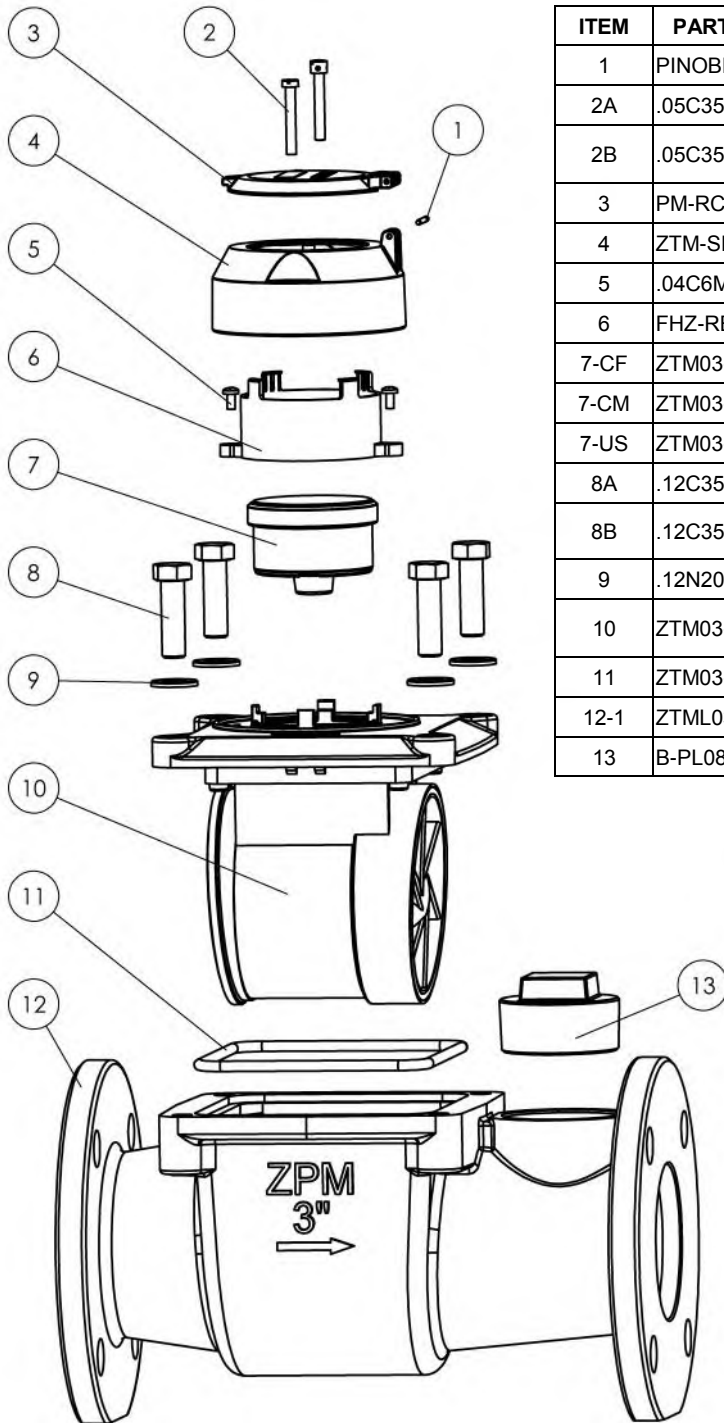
15280 Addison Rd #240, Addison, TX 75001
 Phone (972) 386-6611, Fax (972) 386-1814
www.zennerusa.com

ZENNER Cast Iron Turbine Meters Measuring Element Parts List Model ZTML02 (2")



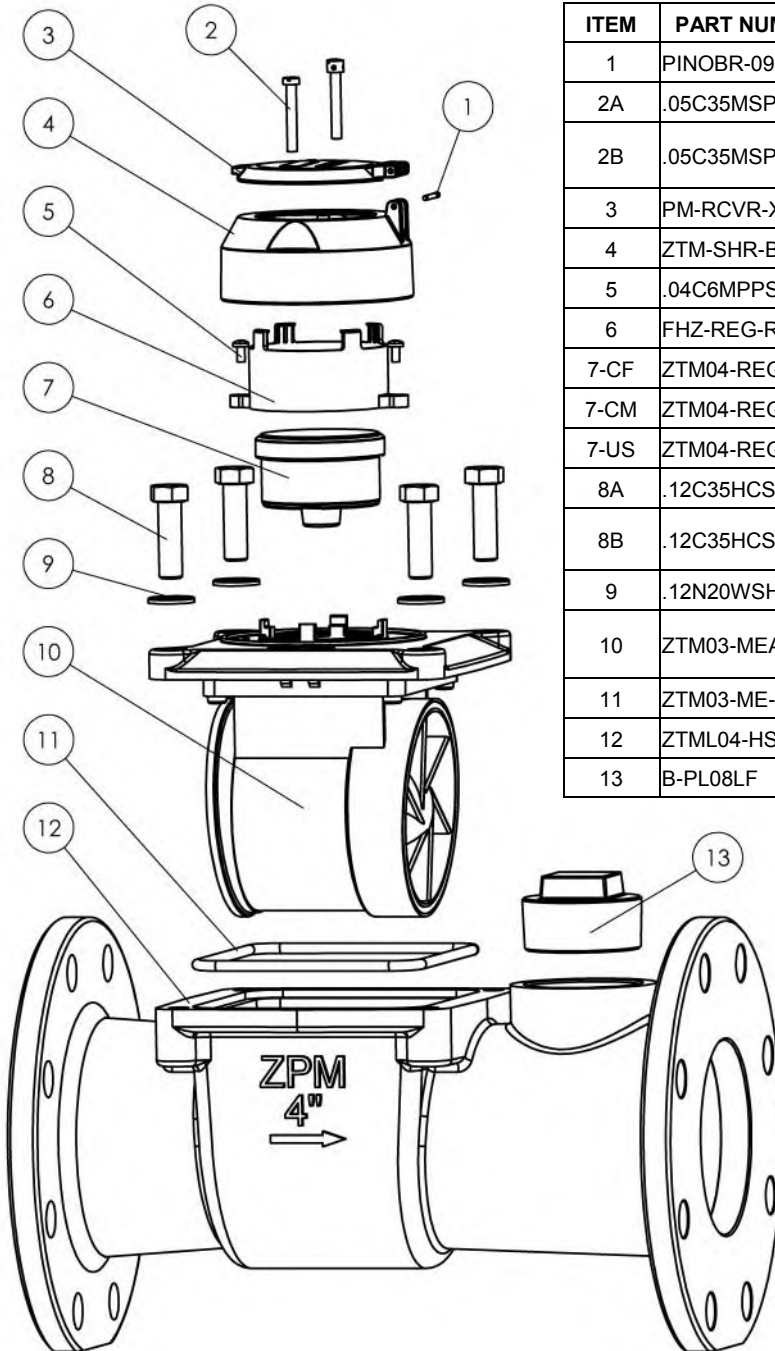
ITEM	PART NUMBER	DESCRIPTION	QTY
10-1	ZTM02-CVRPL	Cover Plate, Cast Iron	1
	ZTM02-MEA	ZTM01/02 Measuring Element Assembly (Items 10-2 thru 10-15)	
10-2	ZTM-ME-UBA-ORING	O-Ring, Upper Bearing Assembly	1
10-3	ZTM-ME-UBA	Upper Bearing Assembly	1
10-4		Magnet Component	1
10-5		Through Hole Bearing	1
10-6		Calibration Vane	1
10-7		Transmission Shaft Gear	1
10-8		Screw, Flat Head, SS	1
10-9		Lower Transmission Bearing	1
10-10	ZTM02-ME-CAGE	Measuring Element Cage	1
10-11	ZTM02-ME-FS	O-ring, Front Seal	1
10-12	ZTM02-ME-FB	Front Bushing	1
10-13		Screw, Pan Head, SS	4
10-14	ZTM02-ME-ROT	Rotor Assembly	1
10-15	ZTM02-ME-BH	Back Holder	1

ZENNER Cast Iron Turbine Meters Parts List for Model ZTML03 (Size 3")



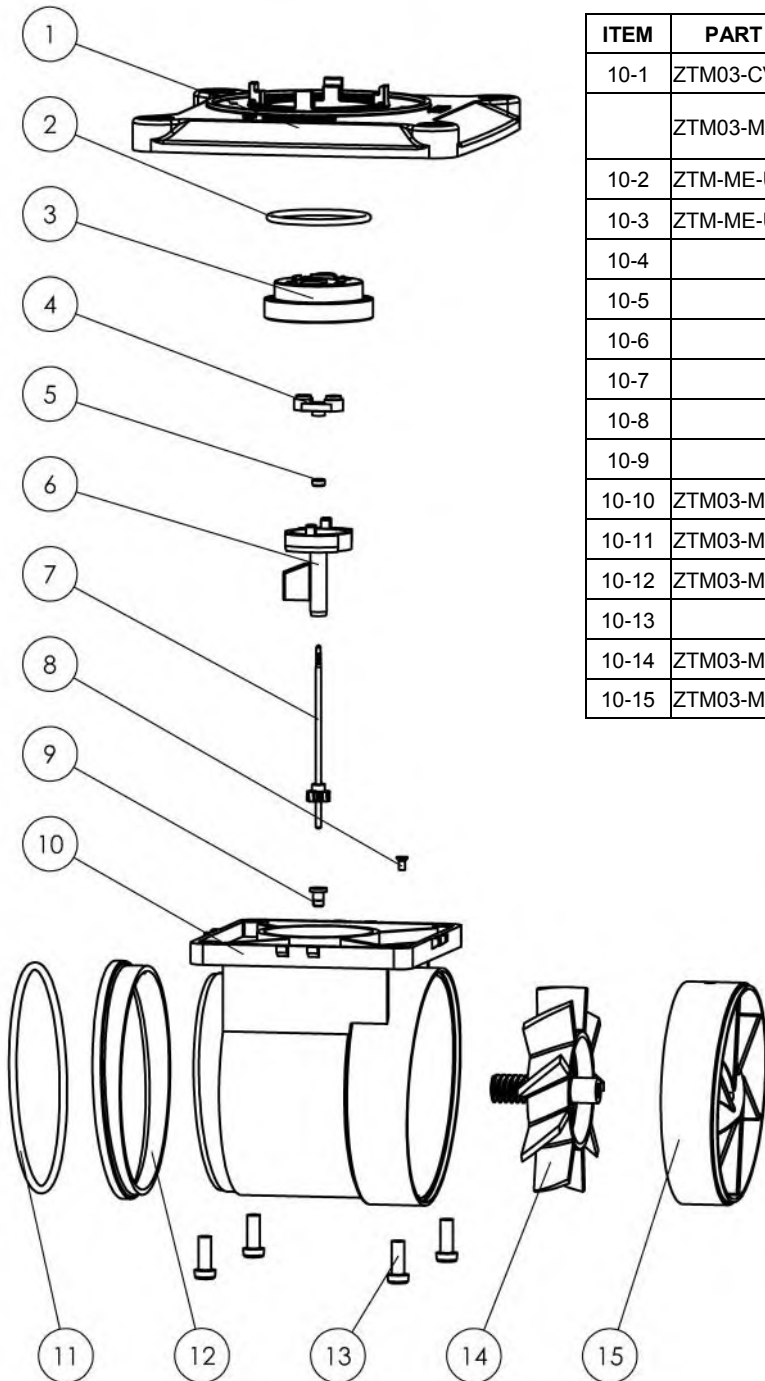
ITEM	PART NUMBER	DESCRIPTION	QTY
1	PINOBR-098-100	Register Cover Hinge Pin	1
2A	.05C35MSPS	Screw Slot Fillister Head SS M5-0.8 x 35	1
2B	.05C35MSPS-DH	Screw Slot Fillister Head SS M5-0.8 x 35, with Tamper Wire Hole	1
3	PM-RCVR-XB	Register Cover, Brass	1
4	ZTM-SHR-B	ZTM Brass Register Shroud	1
5	.04C6MPPS	Screw Phil Pan SS M4-0.7 x 6	2
6	FHZ-REG-RR	FHZ/ZTM Register Retaining Ring, Plastic	1
7-CF	ZTM03-REG-CF	Register, 3" Turbine, Cubic Feet	1
7-CM	ZTM03-REG-CM	Register, 3" Turbine, Cubic Meters	1
7-US	ZTM03-REG-US	Register, 3" Turbine, U.S. Gallons	1
8A	.12C35HCSS	Bolt Hex Cap SS M12-1.75 x 35	3
8B	.12C35HCSS-DH	Bolt Hex Cap SS M12-1.75 x 35, with Tamper Wire Hole	1
9	.12N20WSHS	Washer Flat SS M12 x 20 OD	4
10	ZTM03-MEA-WCP	ZTM03/04 Measuring Element Assembly with Cast Iron Cover Plate	1
11	ZTM03-ME-GSKT	ZTM03/04 Measuring Element	1
12-1	ZTML03-HSG	ZTM03 Housing, 3", Cast Iron, 12"LL	1
13	B-PL08LF	Plug Brass 2" MIP Cored LF	1

ZENNER Cast Iron Turbine Meters Parts List for Model ZTML04 (Size 4")



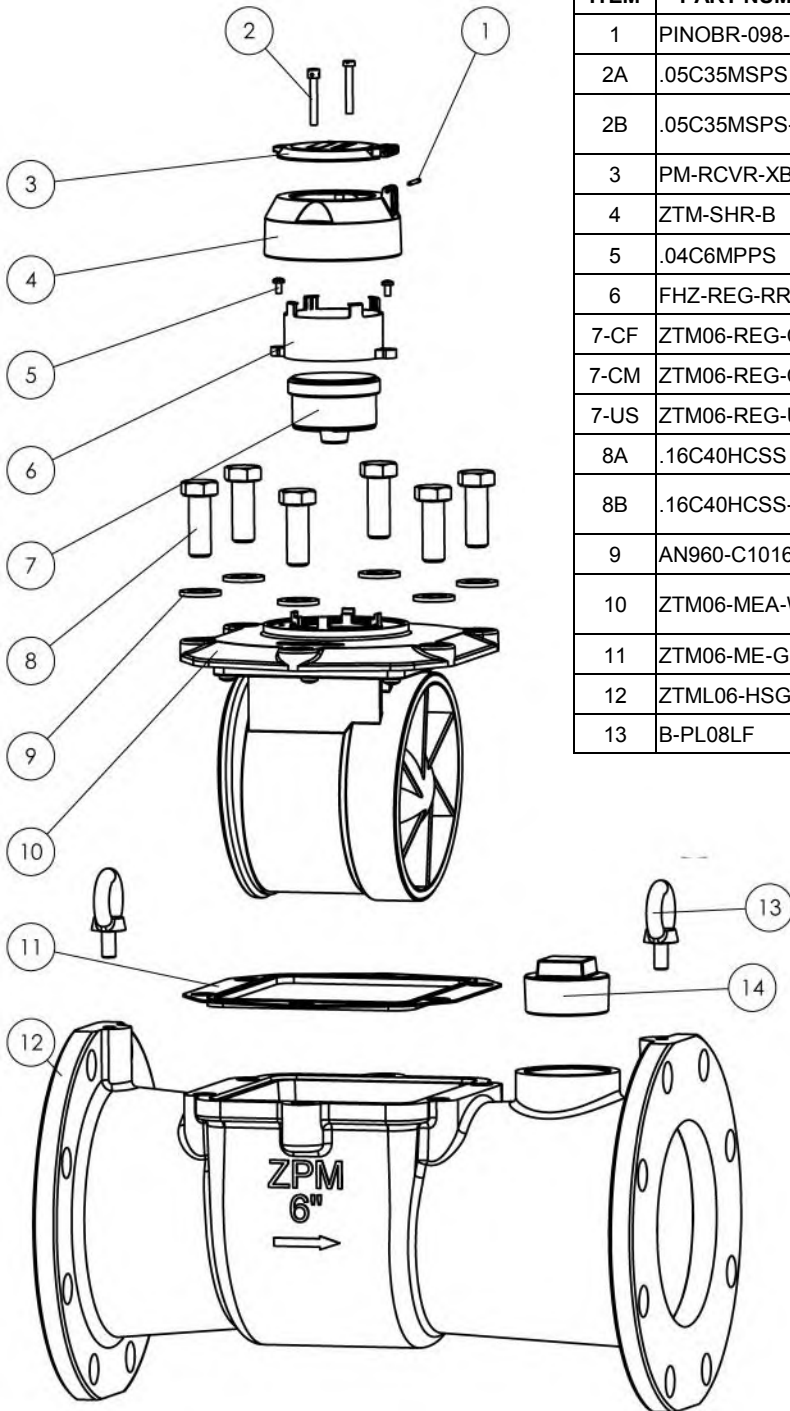
ITEM	PART NUMBER	DESCRIPTION	QTY
1	PINOBR-098-100	Register Cover Hinge Pin	1
2A	.05C35MSPS	Screw Slot Fillister Head SS M5-0.8 x 35	1
2B	.05C35MSPS-DH	Screw Slot Fillister Head SS M5-0.8 x 35, with Tamper Wire Hole	1
3	PM-RCVR-XB	Register Cover, Brass	1
4	ZTM-SHR-B	ZTM Brass Register Shroud	1
5	.04C6MPPS	Screw Phil Pan SS M4-0.7 x 6	2
6	FHZ-REG-RR	FHZ/ZTM Register Retaining Ring, Plastic	1
7-CF	ZTM04-REG-CF	Register, 4" Turbine, Cubic Feet	1
7-CM	ZTM04-REG-CM	Register, 4" Turbine, Cubic Meters	1
7-US	ZTM04-REG-US	Register, 4" Turbine, U.S. Gallons	1
8A	.12C35HCSS	Bolt Hex Cap SS M12-1.75 x 35	3
8B	.12C35HCSS-DH	Bolt Hex Cap SS M12-1.75 x 35, with Tamper Wire Hole	1
9	.12N20WSHS	Washer Flat SS M12 x 20 OD	4
10	ZTM03-MEA-WCP	ZTM03/04 Measuring Element Assembly with Cast Iron Cover Plate	1
11	ZTM03-ME-GSKT	ZTM03/04 Measuring Element Gasket	1
12	ZTML04-HSG	ZTML04 Housing, 4", Cast Iron, 14"LL	1
13	B-PL08LF	Plug Brass 2" MIP Cored LF	1

ZENNER Cast Iron Turbine Meters Measuring Element Parts List Models ZTML03 (3") and ZTML04 (4")



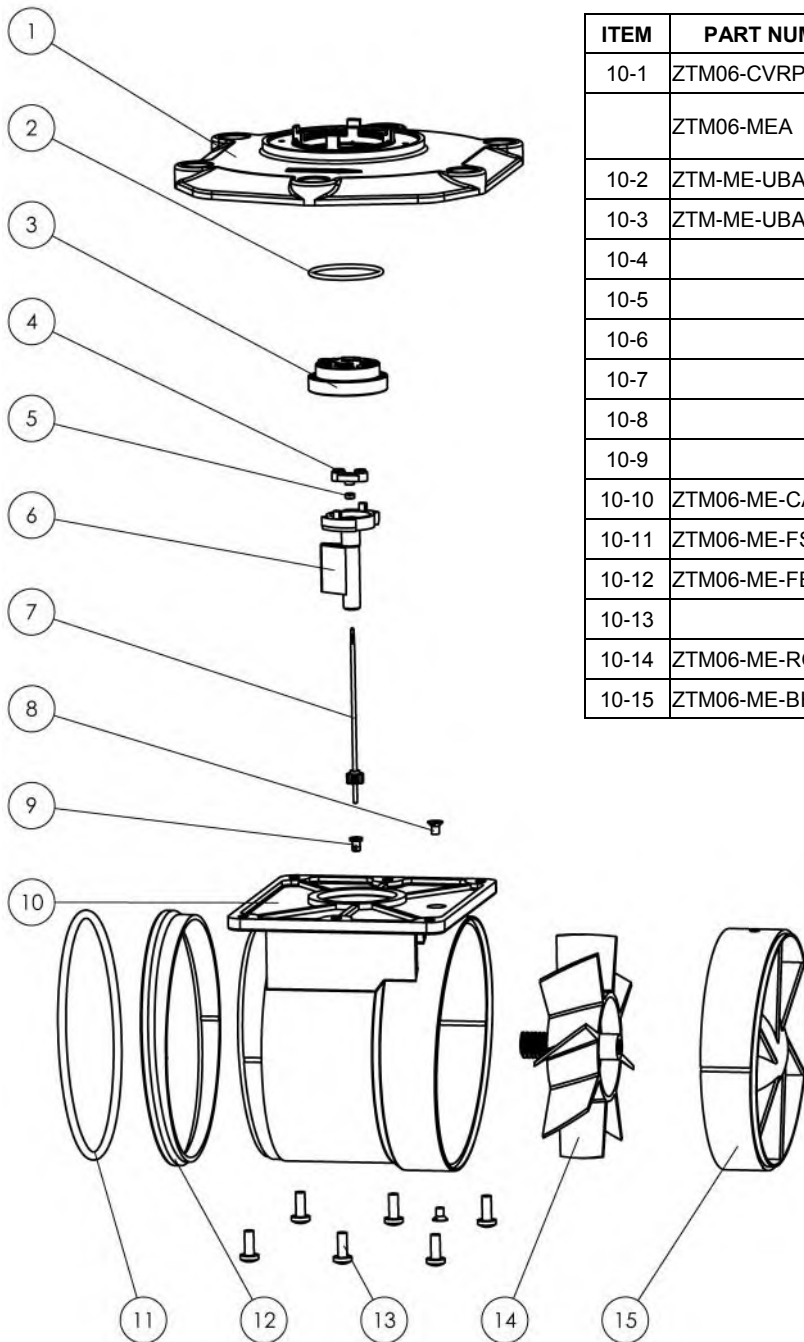
ITEM	PART NUMBER	DESCRIPTION	QTY
10-1	ZTM03-CVRPL	Cover Plate, Cast Iron	1
	ZTM03-MEA	ZTM03/04 Measuring Element Assembly (Items 10-2 thru 10-15)	
10-2	ZTM-ME-UBA-ORING	O-Ring, Upper Bearing Assembly	1
10-3	ZTM-ME-UBA	Upper Bearing Assembly	1
10-4		Magnet Component	1
10-5		Through Hole Bearing	1
10-6		Calibration Vane	1
10-7		Transmission Shaft Gear	1
10-8		Screw, Flat Head, SS	1
10-9		Lower Transmission Bearing	1
10-10	ZTM03-ME-CAGE	Measuring Element Cage	1
10-11	ZTM03-ME-FS	O-ring, Front Seal	1
10-12	ZTM03-ME-FB	Front Bushing	1
10-13		Screw, Pan Head, SS	4
10-14	ZTM03-ME-ROT	Rotor Assembly	1
10-15	ZTM03-ME-BH	Back Holder	1

ZENNER Cast Iron Turbine Meters Parts List for Model ZTML06 (Size 6")



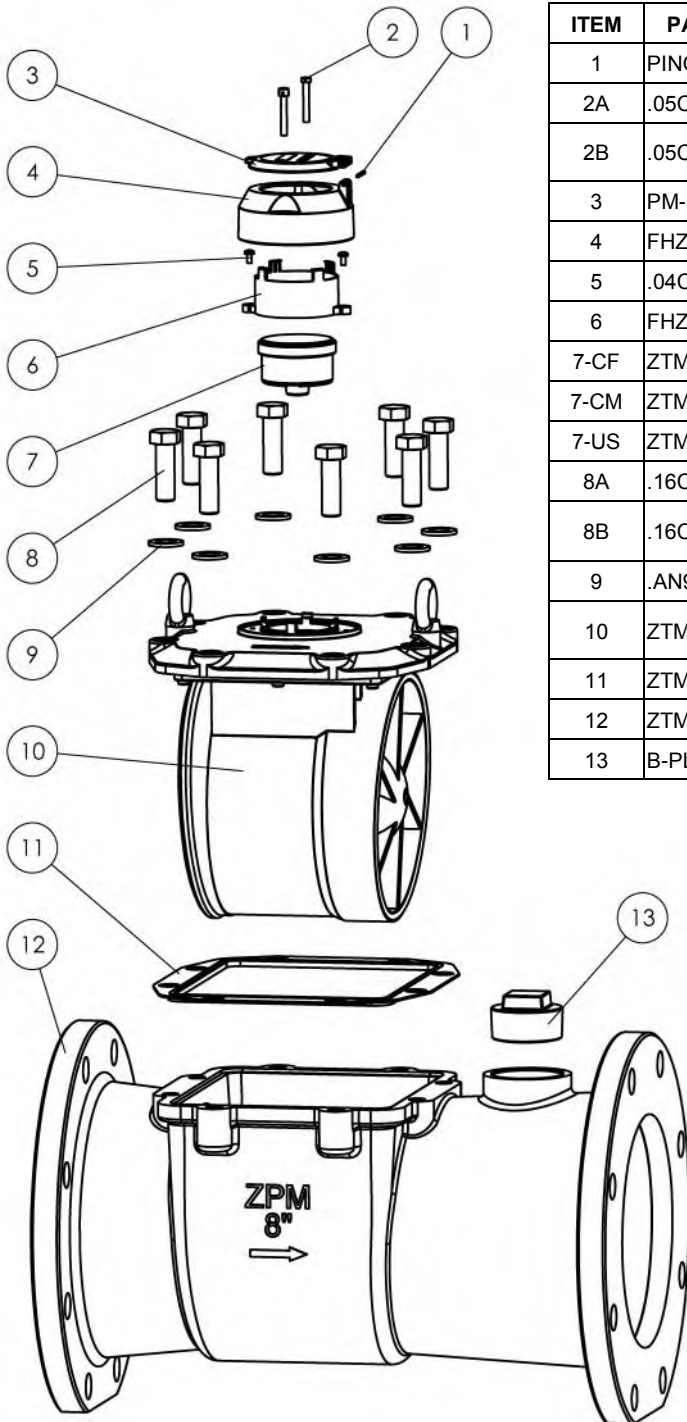
ITEM	PART NUMBER	DESCRIPTION	QTY
1	PINOBR-098-100	Register Cover Hinge Pin	1
2A	.05C35MSPS	Screw Slot Fillister Head SS M5-0.8 x 35	1
2B	.05C35MSPS-DH	Screw Slot Fillister Head SS M5-0.8 x 35, with Tamper Wire Hole	1
3	PM-RCVR-XB	Register Cover, Brass	1
4	ZTM-SHR-B	FHZ Brass Register Shroud	1
5	.04C6MPPS	Screw Phil Pan SS M4-0.7 x 6	2
6	FHZ-REG-RR	FHZ/ZTM Register Retaining Ring, Plastic	1
7-CF	ZTM06-REG-CF	Register, 6" Turbine, Cubic Feet	1
7-CM	ZTM06-REG-CM	Register, 6" Turbine, Cubic Meters	1
7-US	ZTM06-REG-US	Register, 6" Turbine, U.S. Gallons	1
8A	.16C40HCSS	Bolt Hex Cap SS M16-2 x 40	5
8B	.16C40HCSS-DH	Bolt Hex Cap SS M16-2 x 40, with Tamper Wire Hole	1
9	AN960-C1016	Washer Flat SS M16 x 30 OD	6
10	ZTM06-MEA-WCP	ZTM06 Measuring Element Assembly with Cast Iron Cover Plate	1
11	ZTM06-ME-GSKT	ZTM06 Measuring Element Gasket	1
12	ZTML06-HSG	ZTML06 Housing, 6", Cast Iron, 18"LL	1
13	B-PL08LF	Plug Brass 2" MIP Cored LF	1

ZENNER Cast Iron Turbine Meters Measuring Element Parts List Model ZTML06 (6")



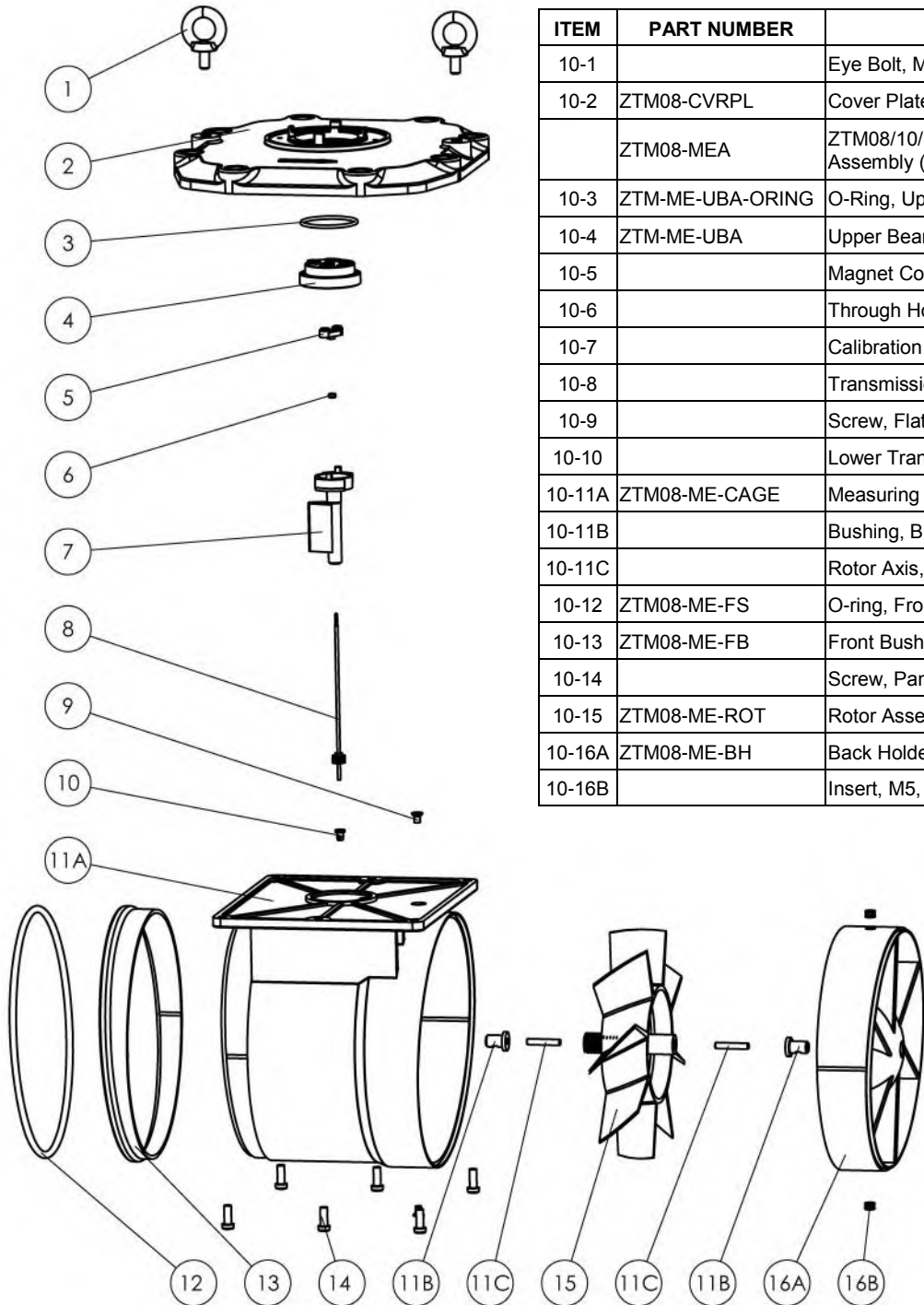
ITEM	PART NUMBER	DESCRIPTION	QTY
10-1	ZTM06-CVRPL	Cover Plate, Cast Iron	1
	ZTM06-MEA	ZTM06 Measuring Element Assembly (Items 10-2 thru 10-15)	
10-2	ZTM-ME-UBA-ORING	O-Ring, Upper Bearing Assembly	1
10-3	ZTM-ME-UBA	Upper Bearing Assembly	1
10-4		Magnet Component	1
10-5		Through Hole Bearing	1
10-6		Calibration Vane	1
10-7		Transmission Shaft Gear	1
10-8		Screw, Flat Head, SS	2
10-9		Lower Transmission Bearing	1
10-10	ZTM06-ME-CAGE	Measuring Element Cage	1
10-11	ZTM06-ME-FS	O-ring, Front Seal	1
10-12	ZTM06-ME-FB	Front Bushing	1
10-13		Screw, Pan Head, SS	6
10-14	ZTM06-ME-ROT	Rotor Assembly	1
10-15	ZTM06-ME-BH	Back Holder	1

ZENNER Cast Iron Turbine Meters Parts List for Model ZTML08 (Size 8")



ITEM	PART NUMBER	DESCRIPTION	QTY
1	PINOBR-098-100	Register Cover Hinge Pin	1
2A	.05C35MSPS	Screw Slot Fillister Head SS M5-0.8 x 35	1
2B	.05C35MSPS-DH	Screw Slot Fillister Head SS M5-0.8 x 35, with Tamper Wire Hole	1
3	PM-RCVR-XB	Register Cover, Brass	1
4	FHZ-SHR-B	FHZ Brass Register Shroud	1
5	.04C6MPPS	Screw Phil Pan SS M4-0.7 x 6	2
6	FHZ-REG-RR	FHZ/ZTM Register Retaining Ring, Plastic	1
7-CF	ZTM08-REG-CF	Register, 8" Turbine, Cubic Feet	1
7-CM	ZTM08-REG-CM	Register, 8" Turbine, Cubic Meters	1
7-US	ZTM08-REG-US	Register, 8" Turbine, U.S. Gallons	1
8A	.16C45HCSS	Bolt Hex Cap SS M16-2 x 45	7
8B	.16C45HCSS-DH	Bolt Hex Cap SS M16-2 x 45, with Tamper Wire Hole	1
9	.AN960-C1016	Washer Flat SS M16 x 30 OD	8
10	ZTM08-MEA-WCP	ZTM08 Measuring Element Assembly with Cast Iron Cover Plate	1
11	ZTM08-ME-GSKT	ZTM08 Measuring Element Gasket	1
12	ZTML08-HSG	ZTML08 Housing, 8", Cast Iron, 20"LL	1
13	B-PL08LF	Plug Brass 2" MIP Cored LF	1

ZENNER Cast Iron Turbine Meters Measuring Element Parts List Model ZTML08 (Size 8")



ITEM	PART NUMBER	DESCRIPTION	QTY
10-1		Eye Bolt, M10	2
10-2	ZTM08-CVRPL	Cover Plate, Cast Iron	1
	ZTM08-MEA	ZTM08/10/12 Measuring Element Assembly (Items 10-2 thru 10-16)	
10-3	ZTM-ME-UBA-ORING	O-Ring, Upper Bearing Assembly	1
10-4	ZTM-ME-UBA	Upper Bearing Assembly	1
10-5		Magnet Component	1
10-6		Through Hole Bearing	1
10-7		Calibration Vane	1
10-8		Transmission Shaft Gear	1
10-9		Screw, Flat Head, SS	2
10-10		Lower Transmission Bearing	1
10-11A	ZTM08-ME-CAGE	Measuring Element Cage	1
10-11B		Bushing, Bronze	1
10-11C		Rotor Axis, Carbide	1
10-12	ZTM08-ME-FS	O-ring, Front Seal	1
10-13	ZTM08-ME-FB	Front Bushing	1
10-14		Screw, Pan Head, SS	6
10-15	ZTM08-ME-ROT	Rotor Assembly	1
10-16A	ZTM08-ME-BH	Back Holder	1
10-16B		Insert, M5, Bronze	2