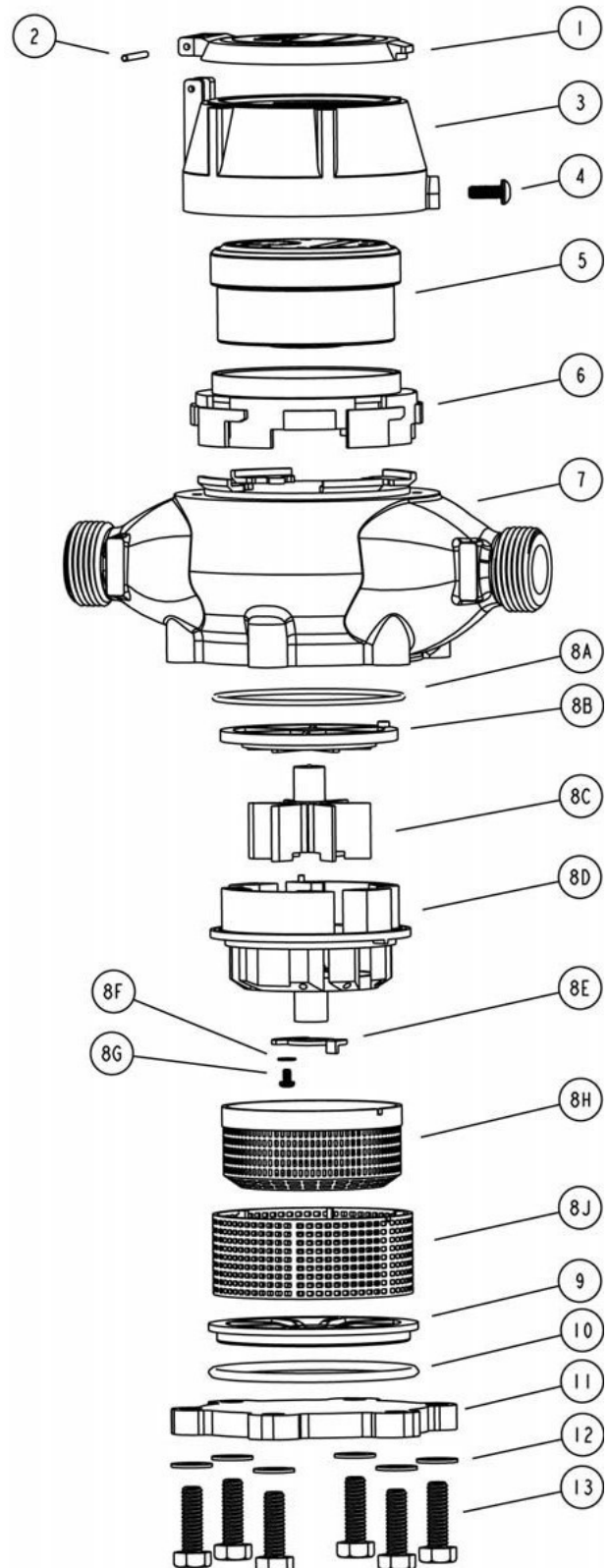


ZENNER
High Pressure Multi-Jet Type
Magnetic Drive Cold Water Meter
Model PMFP03
Size: 3/4"

Parts List for 3/4" PMFP03

No.	Part Number	Description	Qty
1	PM-RCVR-XB	Register Cover, Brass	1
2	PINDOBR-098-100	Register Cover Hinge Pin	1
3	PMN-SHR-B	Register Shroud, Brass	1
4	.05C10CPSS-T	Tamper Screw Skt Pan M5-0.8 X 10	1
5-BA	PMFP03-REG-BA	Register, 3/4" PMFP, Barrels	1
5-CF	PMFP03-REG-CF	Register, 3/4" PMFP, Cubic Feet	1
5-US	PMFP03-REG-US	Register, 3/4" PMFP, U.S. Gallons	1
6	PMN-RR-SHR	Shroud Retaining Ring	1
7	PMN03-HSG	Housing, 3/4"SL	1
8	PMF03-CHA	Chamber Assembly Complete	1
8A	OPMN-71-E7015	O-Ring, Chamber Seal	1
8B	PMF03-CP-TOP	Calibration Plate, Top	1
8C	PMN07-IMP	Impeller Assembly	1
8D	PMF03-IMPH	Impeller Housing Assembly	1
8E	PMN07-CP-BTM	Calibration Plate, Bottom	1
8F	.03N7WSHS	Washer Flat SS M3 X 7	1
8G	.03C6MSPS	Screw Slot Pan SS M3-0.5 x 6	1
8H	PMN07-STR-IN	Strainer, Inside	1
8J	PMF03-STR-OT	Strainer, Outside	1
9	PMF03-SEAL-RT	Seal Retainer	1
10	OPMN-75-E7015	O-Ring, Bottom Plate Seal	1
11	PMF03-BPL-S	Bottom Plate, Stainless Steel	1
12	31N62WSHS	Washer Flat SS 5/16 x 5/8	6
13	31C100HCSS	Bolt Hex Cap SS 5/16-18 x 1.00	6



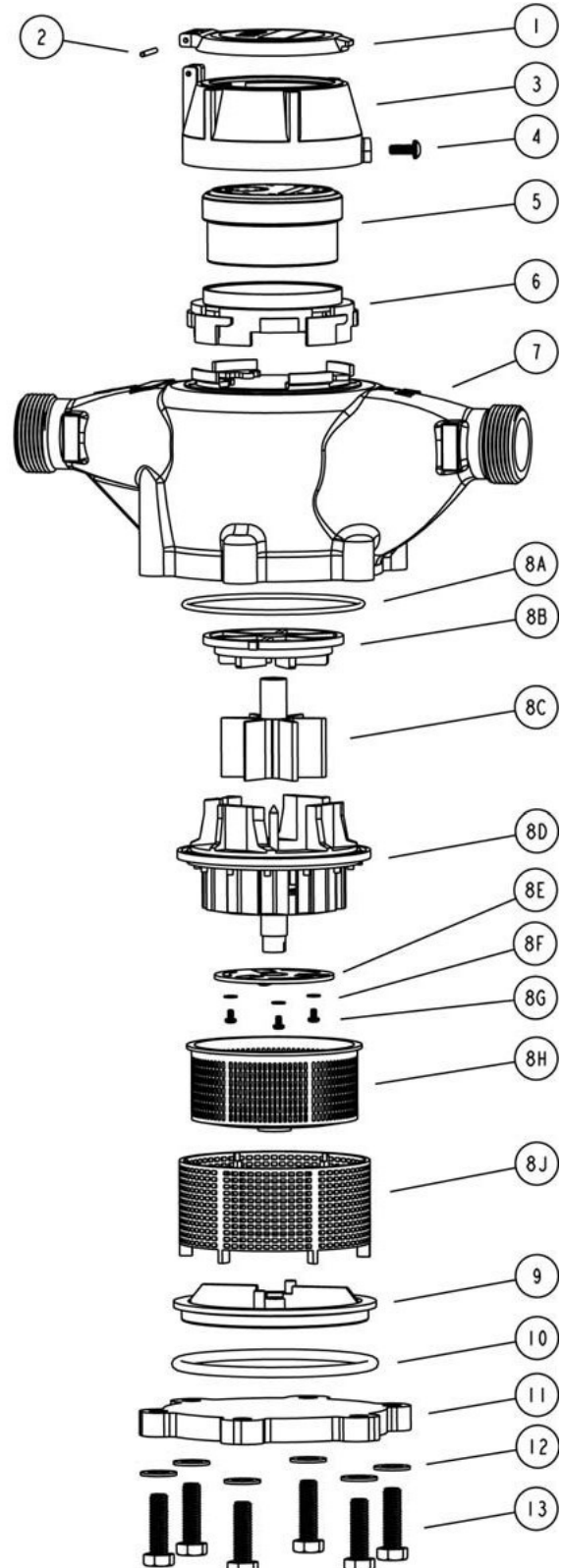
ZENNER USA

15280 Addison Rd #240, Addison, TX 75001
 Phone (972) 386-6611, Fax (972) 386-1814
 www.zennerusa.com

ZENNER
High Pressure Multi-Jet Type
Magnetic Drive Cold Water Meter
Model PMFP07
Size: 1"

Parts List for 1" PMFP07

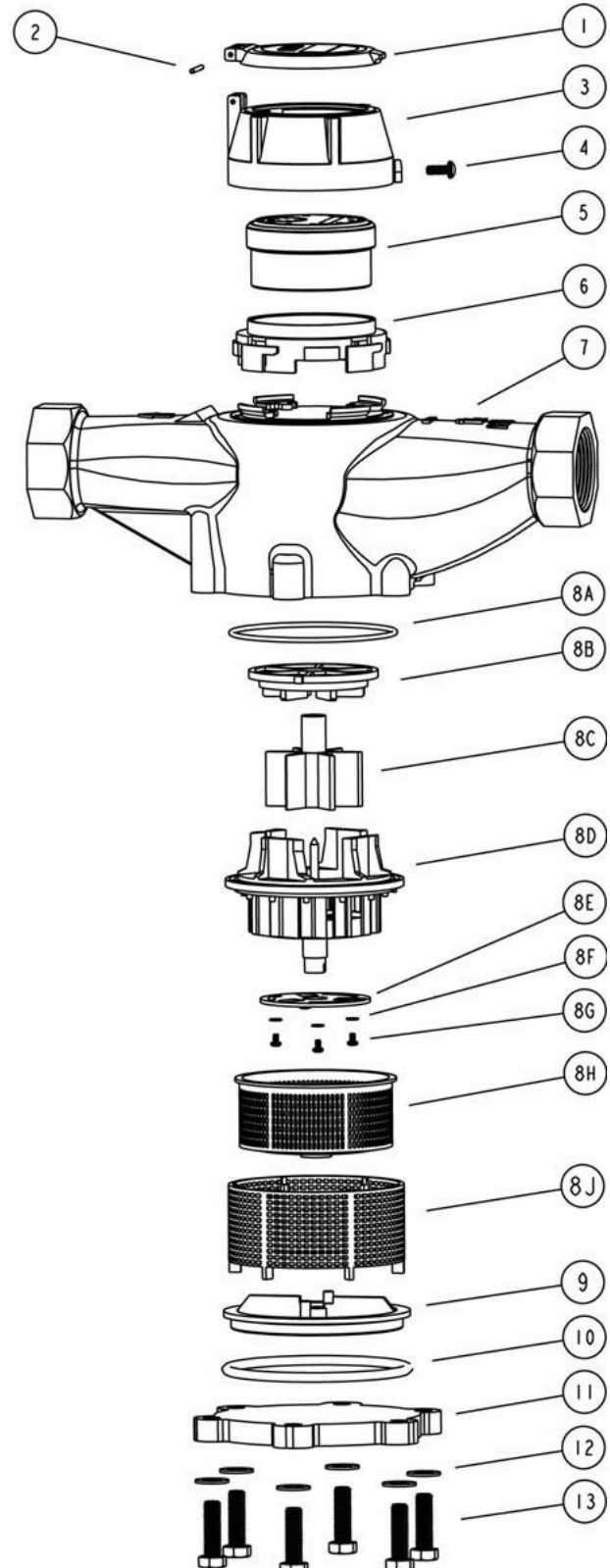
No.	Part Number	Description	Qty
1	PM-RCVR-XB	Register Cover, Brass	1
2	PINDOBR-098-100	Register Cover Hinge Pin	1
3	PMN-SHR-B	Register Shroud, Brass	1
4	.05C10CPSS-T	Tamper Screw Skt Pan M5-0.8 X 10	1
5-BA	PMFP07-REG-BA	Register, 1" PMFP, Barrels	1
5-CF	PMFP07-REG-CF	Register, 1" PMFP, Cubic Feet	1
5-US	PMFP07-REG-US	Register, 1" PMFP, U.S.Gallons	1
6	PMN-RR-SHR	Shroud Retaining Ring	1
7	PMN07-HSG	Housing, 1"	1
8	PMF07-CHA	Chamber Assembly Complete	1
8A	OPMN-92-E7015	O-Ring, Chamber Seal	1
8B	PMF09-IMPH-TP	Impeller Housing Top Plate	1
8C	PMN09-IMP	Impeller Assembly	1
8D	PMF07-IMPH	Impeller Housing Assembly	1
8E	PMF09-IMPH-CP	Calibration Plate	1
8F	.03N7WSHS	Washer Flat SS M3 X 7	3
8G	.03C6MSPS	Screw Slot Pan SS M3-0.5 x 6	3
8H	PMN09-STR-IN	Strainer, Inside	1
8J	PMN09-STR-OT	Strainer, Outside	1
9	PMF09-SEAL-RT	Seal Retainer	1
10	OPMN-97-E7015	O-Ring, Bottom Plate Seal	1
11	PMFP09-BPL-S	Bottom Plate, Stainless Steel	1
12	37N75WSHS	Washer Flat SS 3/8 x 3/4	6
13	37C125HCSS	Bolt Hex Cap SS 3/8-16 x 1.250	6



ZENNER
High Pressure Multi-Jet Type
Magnetic Drive Cold Water Meter
Model PMFP08
Size: 1-1/2"

Parts List for 1-1/2" PMFP08

No.	Part Number	Description	Qty
1	PM-RCVR-XB	Register Cover, Brass	1
2	PINDOBR-098-100	Register Cover Hinge Pin	1
3	PMN-SHR-B	Register Shroud, Brass	1
4	.05C10CPSS-T	Tamper Screw Skt Pan M5-0.8 X 10	1
5-CF	PMFP08-REG-CF	Register, 1-1/2" PMFP, Cubic Feet	1
5-US	PMFP08-REG-US	Register, 1-1/2" PMFP, U.S.Gallons	1
6	PMN-RR-SHR	Shroud Retaining Ring	1
7	PMN08-HSG	Housing, 1-1/2", 1-1/2" FIP Threads	1
8	PMN09-CHA	Chamber Assembly Complete	1
8A	OPMN-92-E7015	O-Ring, Chamber Seal	1
8B	PMN09-IMPH-TP	Impeller Housing Top Plate	1
8C	PMN09-IMP	Impeller Assembly	1
8D	PMN09-IMPH	Impeller Housing Assembly	1
8E	PMN09-IMPH-CP	Calibration Plate	1
8F	.03N7WSHS	Washer Flat SS M3 X 7	3
8G	.03C6MSPS	Screw Slot Pan SS M3-0.5 x 6	3
8H	PMN09-STR-IN	Strainer, Inside	1
8J	PMN09-STR-OT	Strainer, Outside	1
9	PMF09-SEAL-RT	Seal Retainer	1
10	OPMN-97-E7015	O-Ring, Bottom Plate Seal	1
11	PMFP09-BPL-S	Bottom Plate, Stainless Steel	1
12	37N75WSHS	Washer Flat SS 3/8 x 3/4	6
13	37C125HCSS	Bolt Hex Cap SS 3/8-16 x 1.250	6



ZENNER
High Pressure Multi-Jet Type
Magnetic Drive Cold Water Meter
Model PMFP11
Size: 2"

Parts List for 2" PMFP11

No.	Part Number	Description	Qty
1	PM-RCVR-XB	Register Cover, Brass	1
2	PINDOBR-098-100	Register Cover Hinge Pin	1
3	PMN-SHR-B	Register Shroud, Brass	1
4	.05C10CPSS-T	Tamper Screw Skt Pan M5-0.8 X 10	1
5-CF	PMFP11-REG-CF	Register, 2" PMFP, Cubic Feet	1
5-US	PMFP11-REG-US	Register, 2" PMFP, U.S.Gallons	1
6	PMN-RR-SHR	Shroud Retaining Ring	1
7	PMN11-HSG	Housing, 2", 2" FIP Threads	1
8	PMN09-CHA	Chamber Assembly Complete	1
8A	OPMN-92-E7015	O-Ring, Chamber Seal	1
8B	PMN09-IMPH-TP	Impeller Housing Top Plate	1
8C	PMN09-IMP	Impeller Assembly	1
8D	PMN09-IMPH	Impeller Housing Assembly	1
8E	PMN09-IMPH-CP	Calibration Plate	1
8F	.03N7WSHS	Washer Flat SS M3 X 7	3
8G	.03C6MSPS	Screw Slot Pan SS M3-0.5 x 6	3
8H	PMN09-STR-IN	Strainer, Inside	1
8J	PMN09-STR-OT	Strainer, Outside	1
9	PMF09-SEAL-RT	Seal Retainer	1
10	OPMN-97-E7015	O-Ring, Bottom Plate Seal	1
11	PMFP09-BPL-S	Bottom Plate, Stainless Steel	1
12	37N75WSHS	Washer Flat SS 3/8 x 3/4	6
13	37C125HCSS	Bolt Hex Cap SS 3/8-16 x 1.250	6

