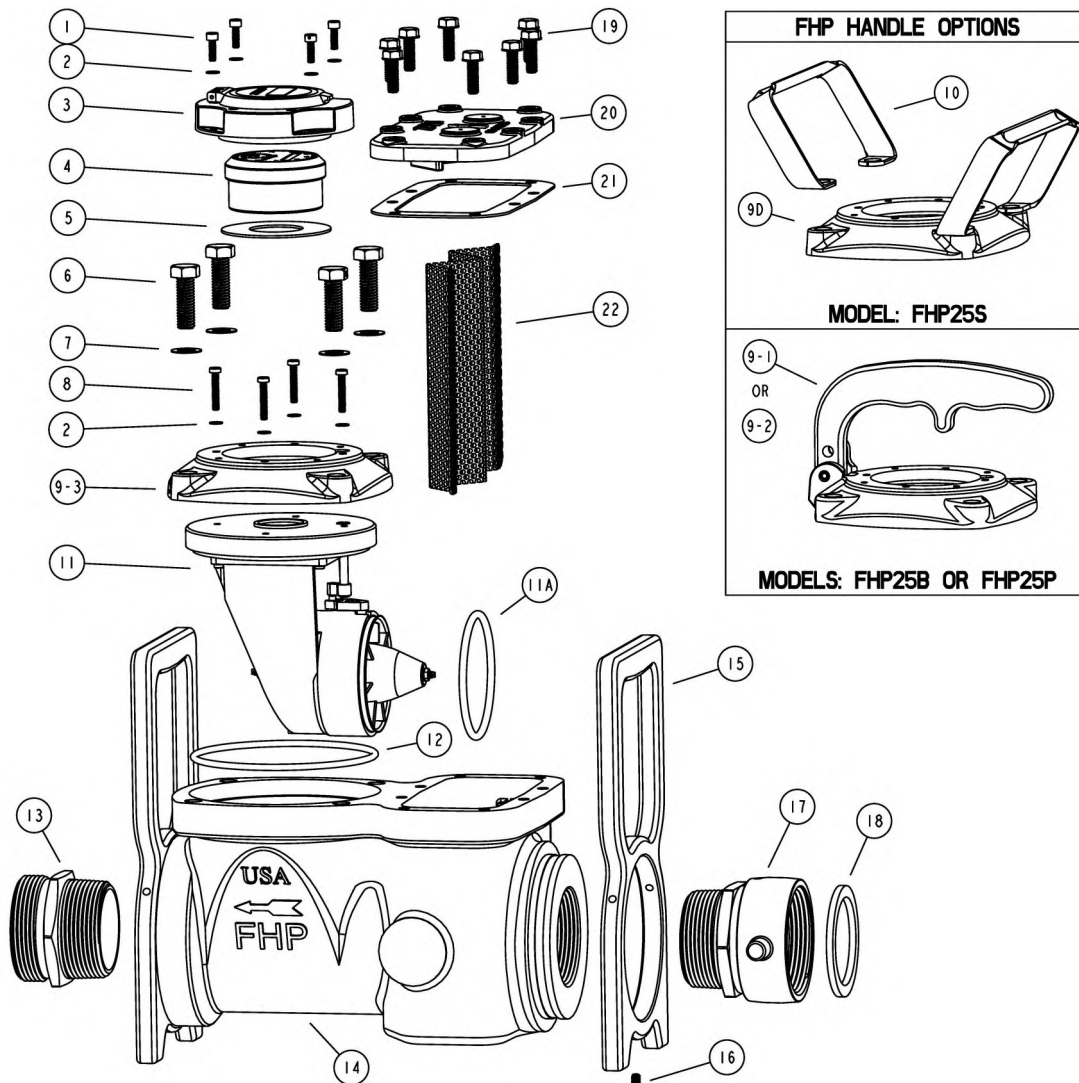


## ZENNER Performance Fire Hydrant Meters Parts List for Models FHP25D, FHP25B, FHP25P, FHP25S (Size 3")

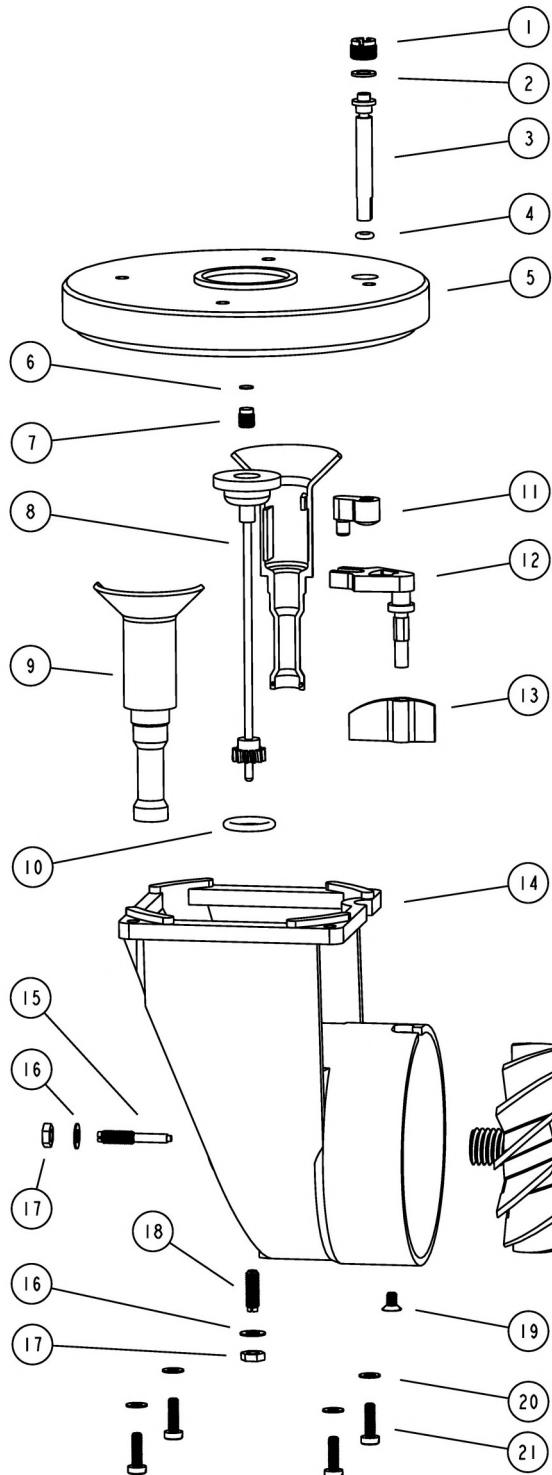
| ITEM | PART NUMBER   | DESCRIPTION                            | QTY |
|------|---------------|--|-----|
| 1A   | .05C10CCSS    | Screw Skt Cap SS M5-0.8 x 10           | 3   |
| 1B   | .05C10CCSS-DH | Screw Skt Cap SS M5-0.8 x 10, D.H.     | 1   |
| 2    | .05N10WLWC    | Washer Lock Wave CU M5 x 10            | 8   |
| 3    | PMT-CVRA-B    | Cover Retaining Ring and Lid, Brass    | 1   |
| 4-CF | FHM03-REG-CF  | Register, 3" Turbine, Cubic Feet       | 1   |
| 4-CM | PMT03-REG-CM  | Register, 3" Turbine, Cubic Meters     | 1   |
| 4-US | FHM03-REG-US  | Register, 3" Turbine, U.S.Gallon       | 1   |
| 5    | PMT-MBR       | Magnet Barrier Ring                    | 1   |
| 6A   | 50C175HCSS    | Bolt Hex Cap SS 1/2-13 x 1.75          | 3   |
| 6B   | 50C175HCSS-DH | Bolt Hex Cap SS 1/2-13 x 1.75, D.H.    | 1   |
| 7    | AN960-C816    | Washer Flat SS .515 ID x .875 OD       | 4   |
| 8    | .05C30MSPS    | Screw Slot Pan SS M5-0.8 x 28          | 4   |
| 9-1  | FHM-CVRPL-SB  | Cover Plate Assy, Barrel Lock (FHP25B) | 1   |
| 9-2  | FHM-CVRPL-SP  | Cover Plate Assy, Padlock (FHP25P)     | 1   |
| 9-3  | FHM-CVRPL     | Cover Plate, Flat (FHP25S or FHP25N)   | 1   |

| ITEM | PART NUMBER    | DESCRIPTION                             | QTY |
|------|----------------|---|-----|
| 10   | FHM-HNDL-DS    | FHM Strap Handle, SS (FHP25S)           | 2   |
| 11   | PMT03-MEA      | Turbine Meter Measuring Element, 3"     | 1   |
| 11A  | PMT03-ME-FSOR  | PMT03 MEA Front Seal O-Ring             | 1   |
| 12   | PMT03-ORING-ME | O-Ring for Measuring Element            | 1   |
| 13   | NP2525B        | Nipple 2.5"MNST x 2.5"MIPT, Brass       | 1   |
| 14   | FHP-HSG-2525R  | Housing 2.5"FIP x 2.5"FIP w/ Restrictor | 1   |
| 15   | FHP-HNDL-DA    | FHP Handle, Aluminum (FHP25D)           | 2   |
| 16   | 25C37CSCS      | Screw Set Socket SS 1/4-20 x 3/8        | 6   |
| 17   | SW2525B        | Swivel, 2.5"FNST x 2.5"MIPT, Brass      | 1   |
| 18   | SWGA25-187     | Swivel Gasket for 2-1/2" FHM Swivel     | 1   |
| 19   | 31C100MUWS     | Bolt Hex Washer SS 5/16-18 x 1          | 8   |
| 20   | FHP-STRCVR     | FHP Strainer Cover                      | 1   |
| 21   | FHP-STR-GSKT   | FHP Strainer Gasket                     | 1   |
| 22   | FHP-STR-SCR    | FHP Strainer Screen                     | 1   |



## ZENNER Performance Fire Hydrant Meters

### Parts List for Models FHP25D, FHP25B, FHP25P, FHP25S (Size 3")



| Measuring Element Parts List |                                       |     |
|------------------------------|---------------------------------------|-----|
| ITEM                         | DESCRIPTION                           | QTY |
| 11-1                         | Calibration Shaft Lock                | 1   |
| 11-2                         | Calibration Shaft Gasket              | 1   |
| 11-3                         | Calibration Shaft                     | 1   |
| 11-4                         | Calibration Shaft O-Ring              | 1   |
| 11-5                         | Measuring Element Mounting Plate      | 1   |
| 11-6                         | Spacer, Upper Transmission Bearing    | 1   |
| 11-7                         | Upper Transmission Bearing w/Jewel    | 1   |
| 11-8                         | Transmission Coupling Shaft Assy      | 1   |
| 11-9                         | Transmission Coupling Housing         | 2   |
| 11-10                        | O-Ring, Transmission Coupling Housing | 1   |
| 11-11                        | Calibration Shaft Pivot               | 1   |
| 11-12                        | Calibration Vane Arm                  | 1   |
| 11-13                        | Calibration Vane                      | 1   |
| 11-14                        | Measuring Element Cage Assembly       | 1   |
| 11-15                        | Rotor Bearing with Carbide Tip        | 2   |
| 11-16                        | Washer Lock Wave CU M5 x 10           | 3   |
| 11-17                        | Nut Hex SS M5-0.8                     | 3   |
| 11-18                        | Lower Transmission Bearing w/Jewel    | 1   |
| 11-19                        | Screw Slot Flat Hd SS M4-0.7 x 6      | 1   |
| 11-20                        | Washer Lock Wave CU M4 x 8            | 4   |
| 11-21                        | Screw Slot Pan SS M4-0.7 x 12         | 4   |
| 11-22                        | Rotor Assembly                        | 1   |
| 11-23                        | Straightening Vane Assembly           | 1   |
| 11-24                        | O-Ring, ME Front Seal                 | 1   |