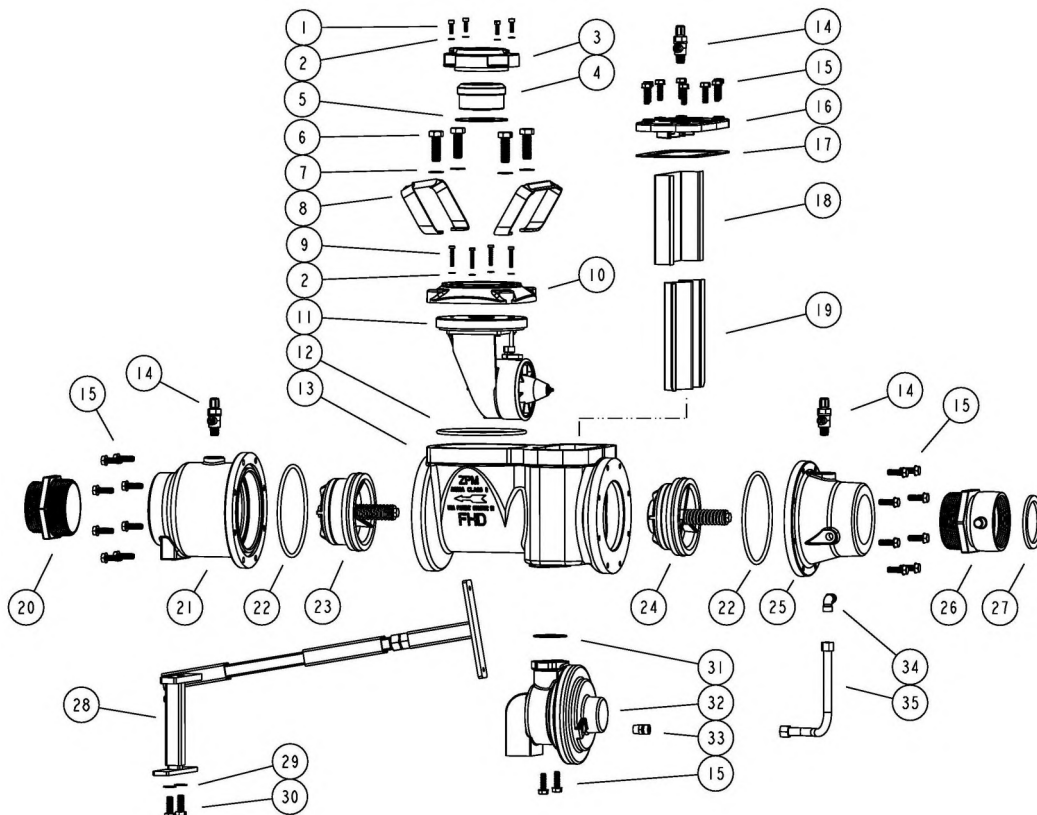


ZENNER FHD Fire Hydrant Backflow Meter with RPZ

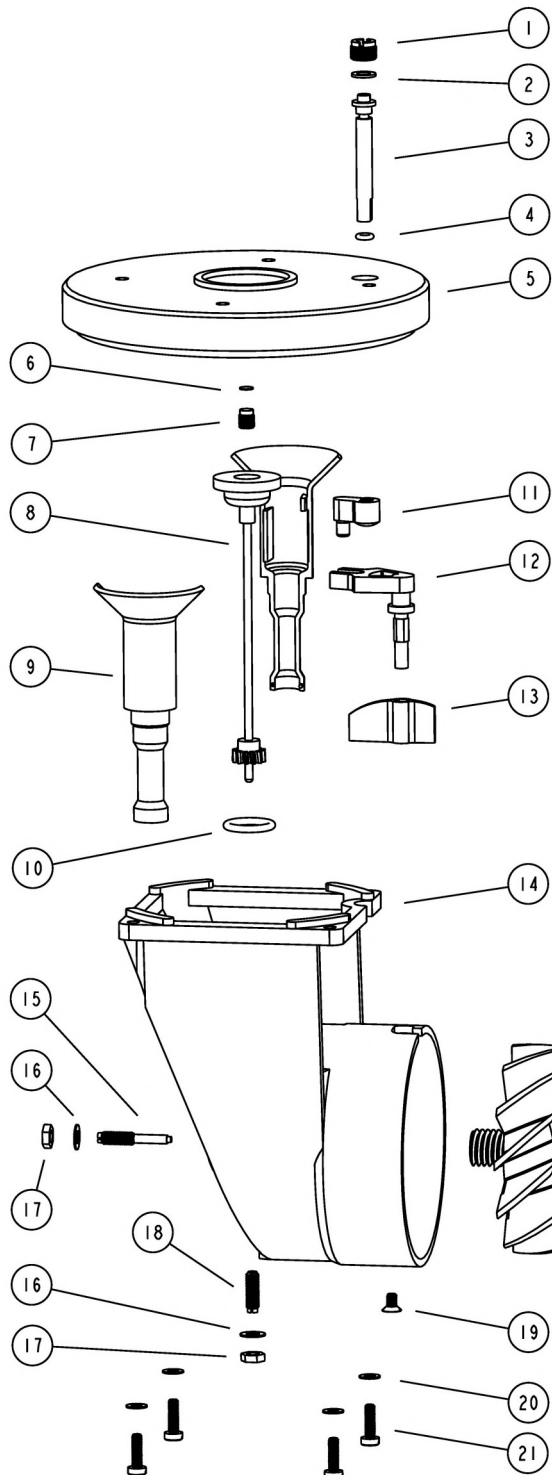
Parts List for Model FHD30S (Size 3")

ITEM	PART NUMBER	DESCRIPTION	QTY	ITEM	PART NUMBER	DESCRIPTION	QTY
1A	.05C10CCSS	Screw Skt Cap SS M5-0.8 x 10	3	19	FHP-STR-SCR	FHP Strainer Screen (Primary)	1
1B	.05C10CCSS-DH	Screw Skt Cap SS M5-0.8 x 10, DH	1	20	NP2530B	Nipple 2.5"NH x 3"MIP, Brass	1
2	.05N10WLWC	Washer Lock Wave CU M5 x 10	8	21	FHD-RHSG-PBL5	FHD Rear Housing	1
3	PMT-CVRA-B	Register Retaining Ring and Lid, Brass	1	22	006-0355-4	O-Ring, Housing Front & Rear Seal	2
4-CF	FHM03-REG-CF	Register, 3" Turbine, Cubic Feet	1	23	3507-300A	3" Check Valve #2	1
4-CM	PMT03-REG-CM	Register, 3" Turbine, Cubic Meters	1	24	3707-300	3" Check Valve #1	1
4-US	FHM03-REG-US	Register, 3" Turbine, U.S. Gallons	1	25	FHD-FHSG-PBL5	FHD Front Housing	1
5	PMT-MBR	Magnet Barrier Ring	1	26	SW2530B-STR	Swivel 2.5"SW x 3"MIP w/ Strainer	1
6A	50C175HCSS	Bolt Hex Cap SS 1/2-13 x 1.75	3	27	SWG25-187	Swivel Gasket for 2-1/2" Swivel	1
6B	50C175HCSS-DH	Bolt Hex Cap SS 1/2-13 x 1.75, DH	1	28	ZHSD-STAND	FHD Hydrant Meter Stand Assembly	1
7	AN960-C816	Washer Flat SS .515 ID x .875 OD	4	29	37N75WSHS	Washer Flat SS 3/8 x 3/4	2
8	FHM-HNDL-DS	FHM Double Handle, SS	2	30	37C100HCSS	Bolt Hex Cap SS 3/8-16 x 1	2
9	.05C30MSPS	Screw Slot Pan SS M5-0.8 x 28	4	31	006-0032-4	O-Ring EPDM 1/16 W 1.864 ID	1
10	FHM-CVRPL-PBL5	FHM Flat Aluminum Cover Plate	1	32	3707-CU	Control Unit	1
11	FHD30-MEA	FHD30 Measuring Element, 3"	1	33	5758A-36	Sensing Tube Fitting	1
11A	9262K418	Front Measuring Element O-Ring Seal	1	34	3707-38C	Fitting, Elbow, 1/4NPT x 3/8 Comp	1
12	PMT03-ORING-ME	O-Ring for Measuring Element	1	35-1	SFC-509-PP	Sensing Tube 3/8x3/8x9 Long Version	1
13	FHD-HSG-PBL5	FHD Meter Housing	1	35-2	KFC-507-PP	Sensing Tube 3/8x3/8x7 Short Version	1
14	14-860FT	Test Cock, 1/4", Brass, w/Cap	3	Misc	SEAL-TMP-PMT	Seal, Tamper, Twist-Lock	1
15	31C100MUWS	Bolt Hex Washer Head SS 5/16-18 x 1	26		002-6330	Tamper Seal Wire	1
16	FHD-STRCVR-PBL5	FHD Strainer Cover	1		FHD03N-UME-CF	Complete FHD Unitized Measuring Element Assembly, includes items 1,2,3,4,5,9,10,11 and 12	
17	FHP-STR-GSKT	FHP Strainer Gasket	1		FHD03N-UME-CM		
18	FHD-STR-SCR	FHD Strainer Screen (Secondary)	1		FHD03N-UME-US		



ZENNER FHD Fire Hydrant Backflow Meter with RPZ

Parts List for Model FHD30S (Size 3")



FHD30-MEA Measuring Element Parts List		
ITEM	DESCRIPTION	QTY
11-1	Calibration Shaft Lock	1
11-2	Calibration Shaft Gasket	1
11-3	Calibration Shaft	1
11-4	Calibration Shaft O-Ring	1
11-5	Measuring Element Mounting Plate	1
11-6	Spacer, Upper Transmission Bearing	1
11-7	Upper Transmission Bearing w/Jewel	1
11-8	Transmission Coupling Shaft Assy	1
11-9	Transmission Coupling Housing	2
11-10	O-Ring, Transmission Coupling Housing	1
11-11	Calibration Shaft Pivot	1
11-12	Calibration Vane Arm	1
11-13	Calibration Vane	1
11-14	Measuring Element Cage Assembly	1
11-15	Rotor Bearing with Carbide Tip	2
11-16	Washer Lock Wave CU M5 x 10	3
11-17	Nut Hex SS M5-0.8	3
11-18	Lower Transmission Bearing w/Jewel	1
11-19	Screw Slot Flat Hd SS M4-0.7 x 6	1
11-20	Washer Lock Wave CU M4 x 8	4
11-21	Screw Slot Pan SS M4-0.7 x 12	4
11-22	Rotor Assembly	1
11-23	Straightening Vane Assembly	1
11-24	O-Ring, ME Front Seal	1