

ZENNER Cast Iron Strainers

Model ZSW

Sizes 2" through 12"

INTRODUCTION: ZENNER Cast Iron Strainers are designed to protect cold or hot water meters from debris and foreign mater extending the life of the meter. Additionally they minimize the effects of turbulence which increases overall accuracy.

INSTALLATION: The strainer should be installed immediately upstream from the meter and following the flow direction indicated on the body.

CONSTRUCTION: ZENNER Cast Iron Strainers consist of four basic components: The main housing, strainer cover, screen assembly and strainer cover gasket. The main housing and strainer cover are made of epoxy coated ductile cast iron. The strainer screen assembly is made of high strength stainless steel.

CONFORMANCE: ZENNER Cast Iron Strainers comply with AWWA C701 and C702 standards. These Strainers also comply with the lead-free provisions of the Safe Drinking Water Act and are certified to NSF/ANSI Standards 61 and 372.

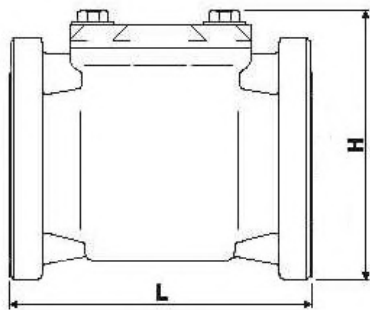
CONNECTIONS: Companion flanges for installation of meters on various pipe types and sizes are available in Bronze or cast iron.

SPECIFICATIONS:

Strainer Type:	T-Strainer
Strainer Screen Assembly:	Stainless Steel
Cover Plate Gasket:	Rubber
Cover Plate Bolts:	Stainless Steel
Maximum Working Pressure:	150 PSI
Maximum Temperature:	150°F



ZSW03



Model		ZSW02-2BF	ZSW02	ZSW03	ZSW04	ZSW06	ZSW08	ZSW10	ZSW12
Size		2"	2"	3"	4"	6"	8"	10"	12"
Weight	Pounds	15	27	33	39	79	149	208	255
Length	Inches	7	7-7/8	8-7/8	9-7/8	11-7/8	13-3/4	17-3/4	19-11/16
Height	Inches	5-3/4	6-15/16	8-7/8	9-1/4	10-15/16	14-5/16	16-5/8	19-5/8
# of Holes per Flange		2	4	4	8	8	8	12	12