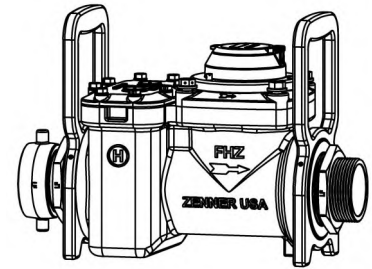
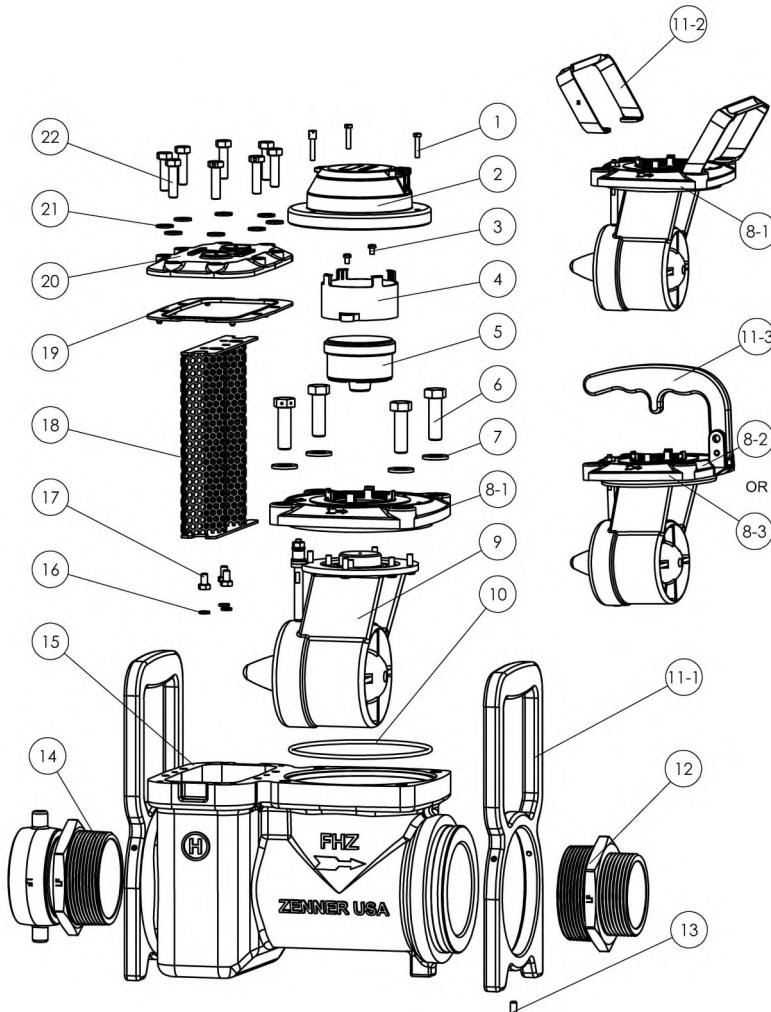


ZENNER Performance Fire Hydrant Meters Parts List for Models FHZH30D, FHZH30B, FHZH30P, FHZH30S (Size 4")

ITEM	PART NUMBER	DESCRIPTION	QTY
1A	.04C20MSPS	Screw Slot Pan SS M4-0.7 x 20	2
1B	.04C20MSPS-DH	Screw Slot Pan SS M4-0.7 x 20, DH	1
2	FHZ-CVRA-XB	FHZ Brass Shroud and Lid Assembly	1
2A	PM-RCVR-XB	Register Cover, Brass	1
2B	PINOBR-098-100	Register Cover Hinge Pin	1
2C	FHZ-SHR-B	FHZ Brass Shroud	1
3	.04C6MPPS	Screw Phil Pan SS M4-0.7 x 6	2
4	FHZ-REG-RR	FHZ Register Retaining Ring, Plastic	1
5-CF	FHZ04-REG-CF	FHZ Register, 4", Cubic Feet	1
5-CM	FHZ04-REG-CM	FHZ Register, 4", Cubic Meters	1
5-US	FHZ04-REG-US	FHZ Register, 4", U.S.Gallon	1
6A	.12C40HCSS	Bolt Hex Cap SS M12-1.75 x 40	3
6B	.12C40HCSS-DH	Bolt Hex Cap SS M12-1.75 x 40, DH	1
7	.12N20WSHS	Washer Flat SS M12 x 20 OD	4
8-1	FHZ-CVRPL-SB	Cover Plate Assy, Barrel Lock	1
8-2	FHZ-CVRPL-SP	Cover Plate Assy, Padlock	1
8-3	FHZ-CVRPL	Cover Plate, Flat	1
9	FHZ-MEC	FHZ Measuring Element Components	1

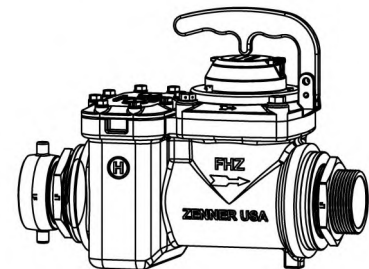
ITEM	PART NUMBER	DESCRIPTION	QTY
9A	FHZ-ME-FS	FHZ Measuring Element Front Seal	1
10	FHZ-CVRPL-ORING	FHZ Cover Plate O-Ring	1
11-1	FHZP-HNDL-DA	FHZP Aluminum Handle	2
11-2	FHZ-HNDL-DS	FHM Double Handle, SS	2
11-3A	FHZ-HNDL-SB	FHZ Single Handle Barrel Lock	1
11-3B	FHZ-HNDL-SP	FHZ Single Handle Padlock	1
12	NP2530B	Nipple 2.5"NH x 3"MIP, Brass	1
13	.06C12CSCS	Screw Set Socket SS M6-1 x 12	6
14	SW2530B	Swivel 2.5"SW x 3"MIP, Brass	1
15	FHZH-HSG-3030B	FHZH Meter Housing, 3 X 3 w/4" Bore	1
16	.06C10HCSS	Bolt Hex Cap SS M6-1 x 10	3
17	.06C10WLSS	Washer Lock SS M6	3
18	FHZP-STR-SCR	Strainer Screen Assembly, SS	1
19	FHZP-STR-GSKT	Gasket, FHZP Strainer Cover	1
20	FHZP-STR-CVR	FHZP Strainer Cover	1
21	.08N16WSHS	Washer Flat SS M8 x 16 OD	8
22A	.08C30HCSS	Bolt Hex Cap SS M8-1.25 x 30	6
22B	.08C30HCSS-DH	Bolt Hex Cap SS M8-1.25 x 30, DH	2



ALUMINUM DOUBLE HANDLES



SS DOUBLE HANDLES

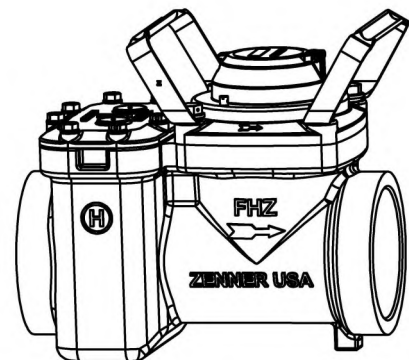
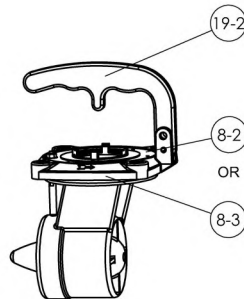
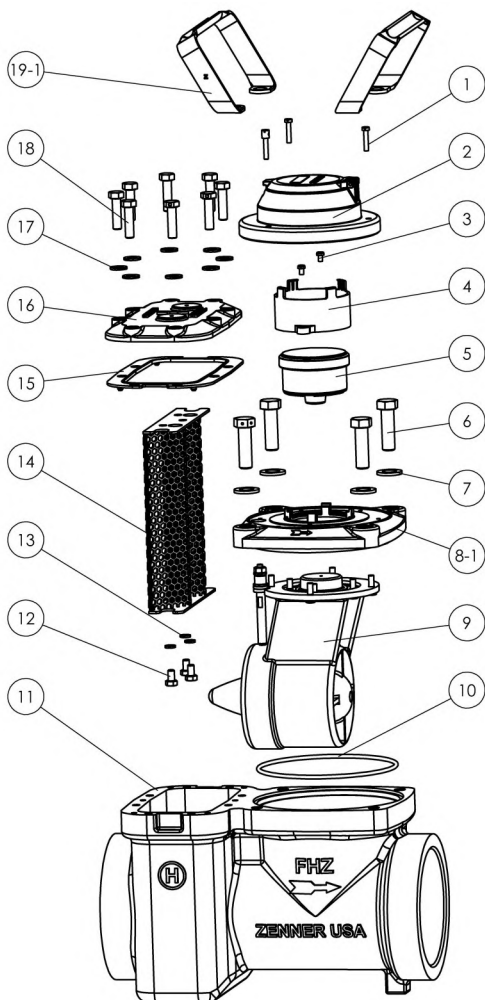


ALUMINUM SINGLE HANDLE

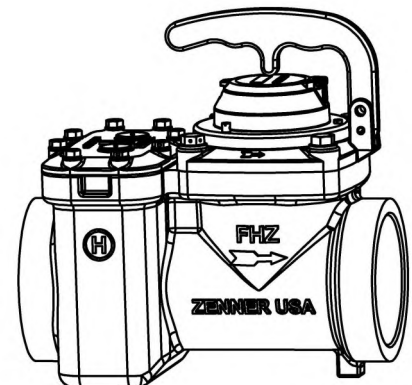
ZENNER Performance Fire Hydrant Meters Parts List for Models FHZH40S, FHZH40B, FHZH40P, FHZH45S, FHZH45B, FHZH45P (Size 4")

ITEM	PART NUMBER	DESCRIPTION	QTY
1A	.04C20MSPS	Screw Slot Pan SS M4-0.7 x 20	2
1B	.04C20MSPS-DH	Screw Slot Pan SS M4-0.7 x 20, DH	1
2	FHZ-CVRA-XB	FHZ Brass Shroud and Lid Assembly	1
2A	PM-RCVR-XB	Register Cover, Brass	1
2B	PINOBR-098-100	Register Cover Hinge Pin	1
2C	FHZ-SHR-B	FHZ Brass Shroud	1
3	.04C6MPPS	Screw Phil Pan SS M4-0.7 x 6	2
4	FHZ-REG-RR	FHZ Register Retaining Ring, Plastic	1
5-CF	FHZ04-REG-CF	FHZ Register, 4", Cubic Feet	1
5-CM	FHZ04-REG-CM	FHZ Register, 4", Cubic Meters	1
5-US	FHZ04-REG-US	FHZ Register, 4", U.S. Gallon	1
6A	.12C40HCSS	Bolt Hex Cap SS M12-1.75 x 40	3
6B	.12C40HCSS-DH	Bolt Hex Cap SS M12-1.75 x 40, DH	1
7	.12N20WSHS	Washer Flat SS M12 x 20 OD	4
8-1	FHZ-CVRPL-SB	Cover Plate Assy, Barrel Lock Handle	1
8-2	FHZ-CVRPL-SP	Cover Plate Assy, Padlock Handle	1

ITEM	PART NUMBER	DESCRIPTION	QTY
8-3	FHZ-CVRPL	Cover Plate, Flat	1
9	FHZ-MEC	FHZ Measuring Element Components	1
9A	FHZ-ME-FS	FHZ Measuring Element Front Seal	1
10	FHZ-CVRPL-ORING	FHZ Cover Plate O-Ring	1
11	FHZH-HSG-4040B	FHZH Meter Housing, 4 X 4 w/4" Bore	1
12	.06C10HCSS	Bolt Hex Cap SS M6-1 x 10	3
13	.06C10WLSS	Washer Lock SS M6	3
14	FHZP-STR-SCR	Strainer Screen Assembly, SS	1
15	FHZP-STR-GSKT	Gasket, FHZP Strainer Cover	1
16	FHZP-STR-CVR	FHZP Strainer Cover	1
17	.08N16WSHS	Washer Flat SS M8 x 16 OD	8
18A	.08C30HCSS	Bolt Hex Cap SS M8-1.25 x 30	6
18B	.08C30HCSS-DH	Bolt Hex Cap SS M8-1.25 x 30, DH	2
19-1	FHZ-HNDL-DS	FHM Double Handle, SS	2
19-2A	FHZ-HNDL-SB	FHZ Single Handle Barrel Lock	1
19-2B	FHZ-HNDL-SP	FHZ Single Handle Padlock	1

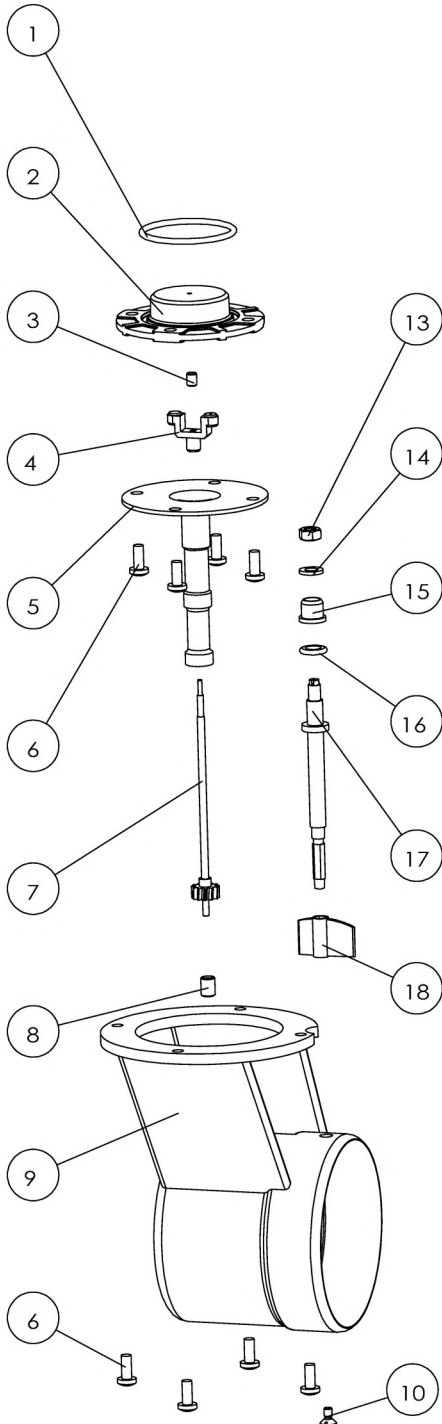


SS DOUBLE HANDLES



ALUMINUM SINGLE HANDLE

ZENNER Performance Fire Hydrant Meters Measuring Element Parts List Models FHZH30, FHZH40, FHZH45 (Size 4")



ITEM	PART NUMBER	DESCRIPTION	QTY
9	FHZ-MEC	FHZ Measuring Element Components	
9-1	FHZ-ME-UBA-ORING	O-Ring, Upper Bearing Assembly	1
9-2	FHZ-ME-UBA	Upper Bearing Assembly	1
9-3		Upper Transmission Bearing	1
9-4/5/7	FHZ-ME-TC	Transmission Coupling Shaft Assembly	
9-4		Magnet Component	1
9-5		Transmission Coupling Shaft Housing	1
9-6		Screw, Pan Head, SS	8
9-7		Transmission Shaft Gear	1
9-8		Lower Transmission Bearing	1
9-9	FHZ-ME-CAGE	FHZ Measuring Element Cage	1
9-10		Screw, Flat Head, SS	1
9-11	FHZ-ME-ROTOR	FHZ Rotor Assembly	1
9-12	FHZ-ME-SV	FHZ Straightening Vane	1
9-13		Nut, SS	1
9-14		Washer, SS	1
9-15		Bushing, Brass	1
9-16		Sealing Ring	1
9-17		Calibration Shaft	1
9-18		Calibration Vane	1

