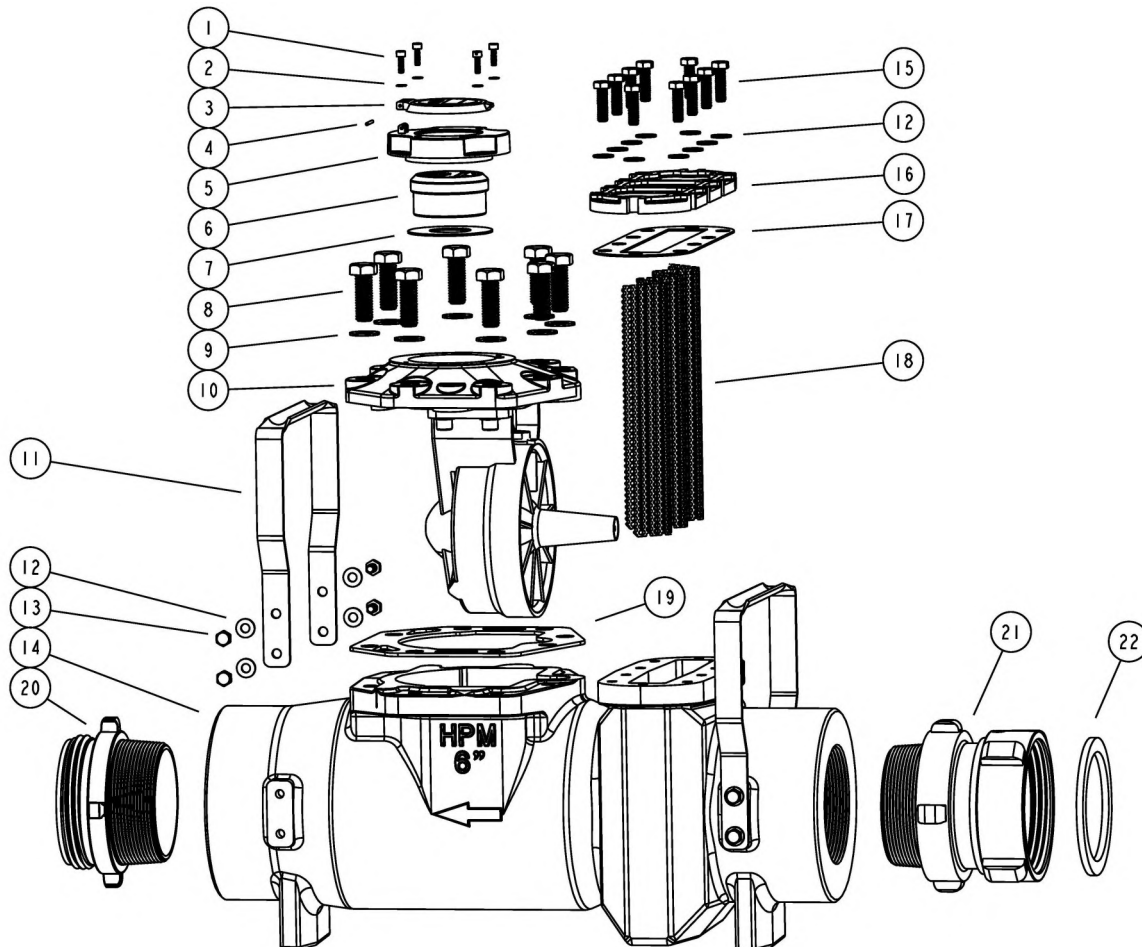


## ZENNER Bubba High Flow Fire Hydrant Meters Parts List for Models FHB25, FHB40, FHB45, FHB60 (Size 6")

ITEM	PART NUMBER	DESCRIPTION	QTY	ITEM	PART NUMBER	DESCRIPTION	QTY
1A	.05C10CCSS	Screw Skt Cap SS M5-0.8 x 10	3	13	31C75HCSS	Bolt Hex Head SS 5/16-18 x .50	8
1B	.05C10CCSS-DH	Screw Skt Cap SS M5-0.8 x 10, DH	1	14-1	FHB-HSG-4T	FHB Housing, 4"FIPT X 4"FIPT	1
2	.05N10WLWC	Washer Lock Wave CU M5 x 10	8	14-2	FHB-HSG-6T	FHB Housing, 6"FIPT X 6"FIPT	1
3	PM-RCVR-XB	Register Cover, Brass	1	15	37C125HCSS	Bolt Hex Cap SS 3/8-16 x 1.25	10
4	PINDOBR-098-100	Pin, Dowel .098" O.D. x 1.00"	1	16	FHB-STR-CVR	FHB Strainer Cover, Aluminum	1
5	PMT-RRR	Register Retaining Ring, Brass	1	17	PMSB06-GSKT	Gasket, PMSB06 6" Strainer	1
6-CF	PMT06-REG-CF	Register, 6" Turbine, Cubic Feet	1	18	FHB-STR-SCR	FHB Strainer Screen, SS	1
6-US	PMT06-REG-US	Register, 6" Turbine, U.S.Gallon	1	19	PMT06-GSKT-CP	PMT06 Cover Plate Gasket	1
7	PMT-MBR	Magnet Barrier Ring	1	20-1	NP2540A	Nipple 2.5"MNST X 4"MIPT, Aluminum	1
8A	62C200HCSS	Bolt Hex Cap SS 5/8-11 x 2	7	20-2	NP4040A	Nipple 4"MNST X 4"MIPT, Aluminum	1
8B	62C200HCSS-DH	Bolt Hex Cap SS 5/8-11 x 2, D.H.	1	20-3	NP4540A	Nipple 4.5"MNST X 4"MIPT, Aluminum	1
9	AN960-C1016	Washer Flat SS .640 ID x 1.188 OD	8	21-1	SW2540A	Swivel 2.5"FNST X 4"MIPT, Aluminum	1
10	FHB06-MEA	Measuring Element w/Cover Plate	1	21-2	SW4040A	Swivel 4"FNST X 4"MIPT, Aluminum	1
10A	FHB-CVRPL	FHB Cover Plate, Aluminum	1	21-3	SW4540A	Swivel 4.5"FNST X 4"MIPT, Aluminum	1
10B	PMT06-MEC	Measuring Element Components	1	22-1	SWGA250	2.5" Swivel Gasket	1
11	FHB-HNDL-DS	FHB Double Handle, SS	2	22-2	SWGA400	4" Swivel Gasket	1
12	31N75WSHS	Washer Flat SS 5/16 x 3/4	8	22-3	SWGA450	4.5" Swivel Gasket	1

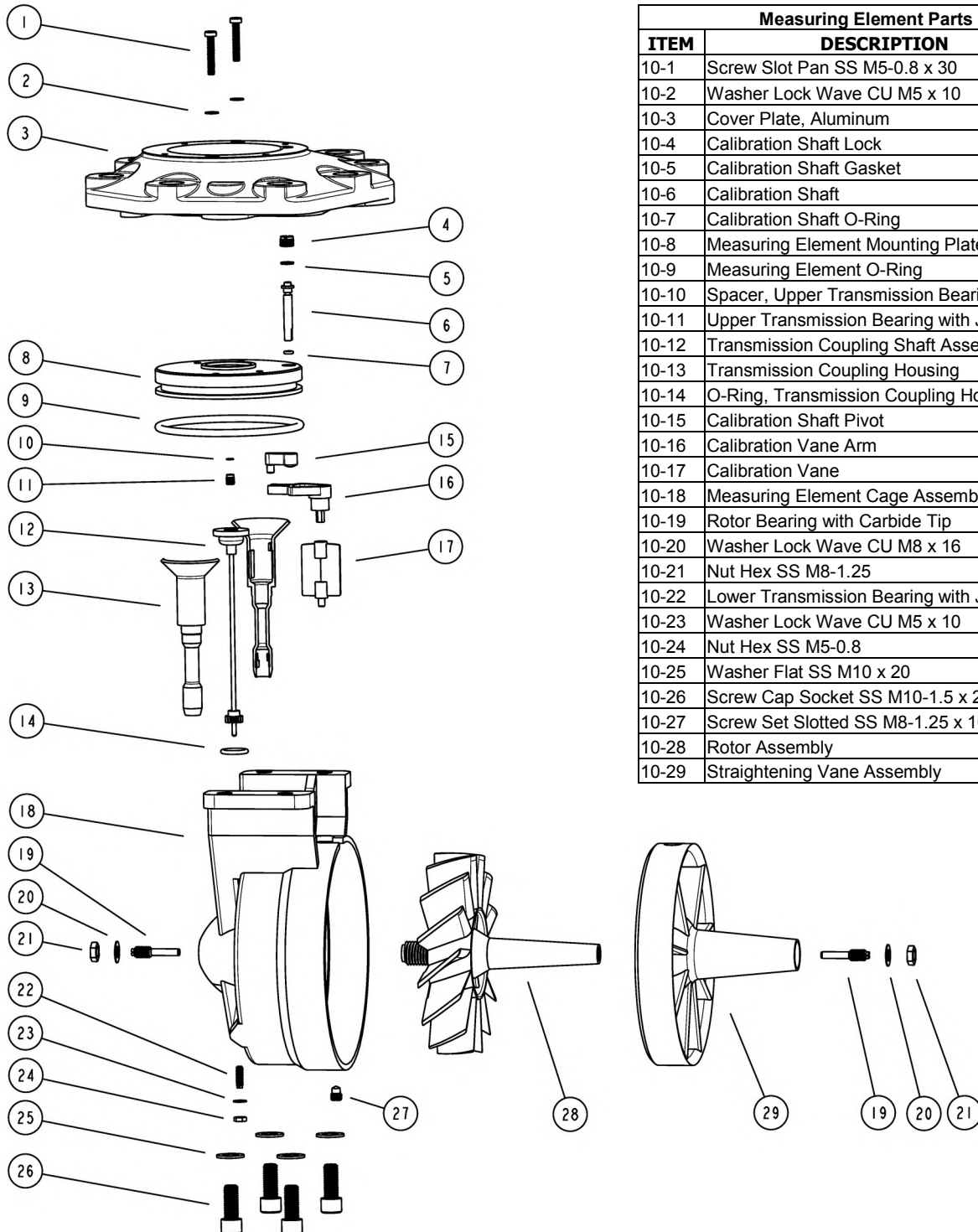


### ZENNER USA

15280 Addison Rd #240, Addison, TX 75001  
 Phone (972) 386-6611, Fax (972) 386-1814  
 www.zennerusa.com

## ZENNER Bubba High Flow Fire Hydrant Meters

### Parts List for Models FHB25, FHB40, FHB45, FHB60 (Size 6")



Measuring Element Parts List		
ITEM	DESCRIPTION	QTY
10-1	Screw Slot Pan SS M5-0.8 x 30	2
10-2	Washer Lock Wave CU M5 x 10	2
10-3	Cover Plate, Aluminum	1
10-4	Calibration Shaft Lock	1
10-5	Calibration Shaft Gasket	1
10-6	Calibration Shaft	1
10-7	Calibration Shaft O-Ring	1
10-8	Measuring Element Mounting Plate	1
10-9	Measuring Element O-Ring	1
10-10	Spacer, Upper Transmission Bearing	1
10-11	Upper Transmission Bearing with Jewel	1
10-12	Transmission Coupling Shaft Assembly	1
10-13	Transmission Coupling Housing	2
10-14	O-Ring, Transmission Coupling Housing	1
10-15	Calibration Shaft Pivot	1
10-16	Calibration Vane Arm	1
10-17	Calibration Vane	1
10-18	Measuring Element Cage Assembly	1
10-19	Rotor Bearing with Carbide Tip	2
10-20	Washer Lock Wave CU M8 x 16	2
10-21	Nut Hex SS M8-1.25	2
10-22	Lower Transmission Bearing with Jewel	1
10-23	Washer Lock Wave CU M5 x 10	1
10-24	Nut Hex SS M5-0.8	1
10-25	Washer Flat SS M10 x 20	4
10-26	Screw Cap Socket SS M10-1.5 x 25	4
10-27	Screw Set Slotted SS M8-1.25 x 10	1
10-28	Rotor Assembly	1
10-29	Straightening Vane Assembly	1