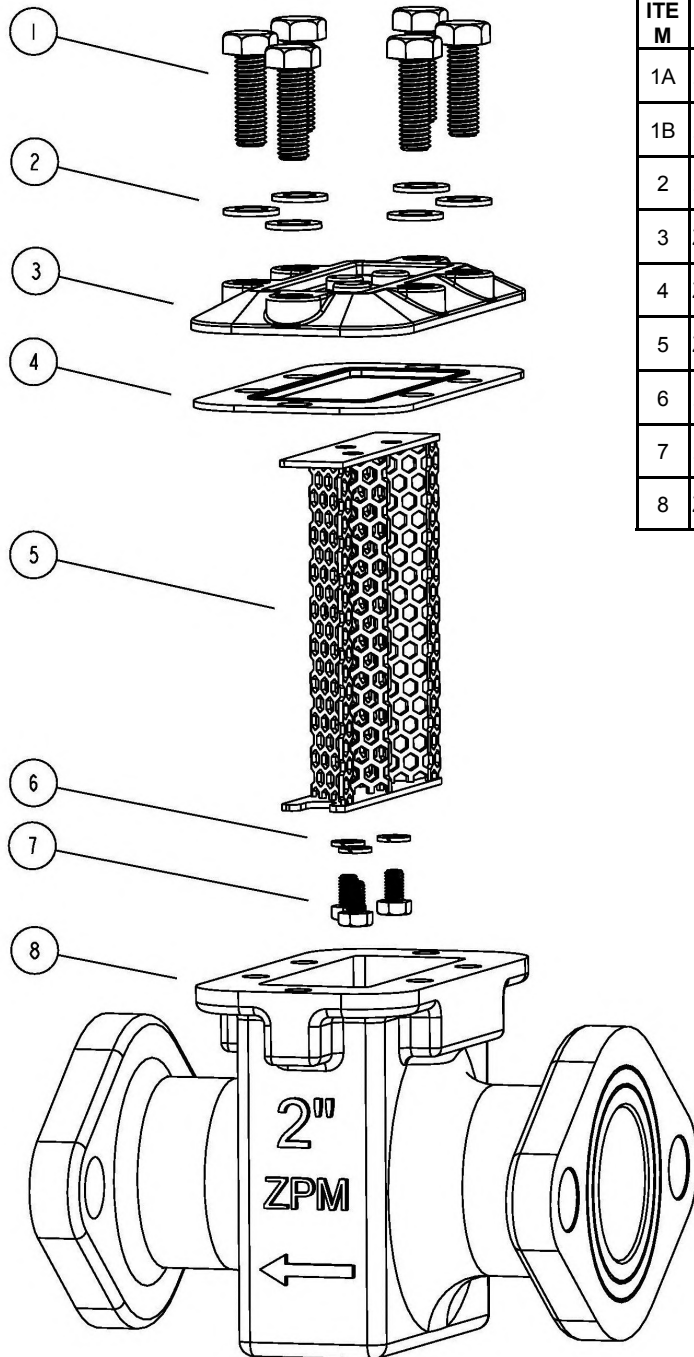


## ZENNER Cast Iron Strainer

Parts list for Model ZSW02-2BF (Size 2" with 2-bolt flange)

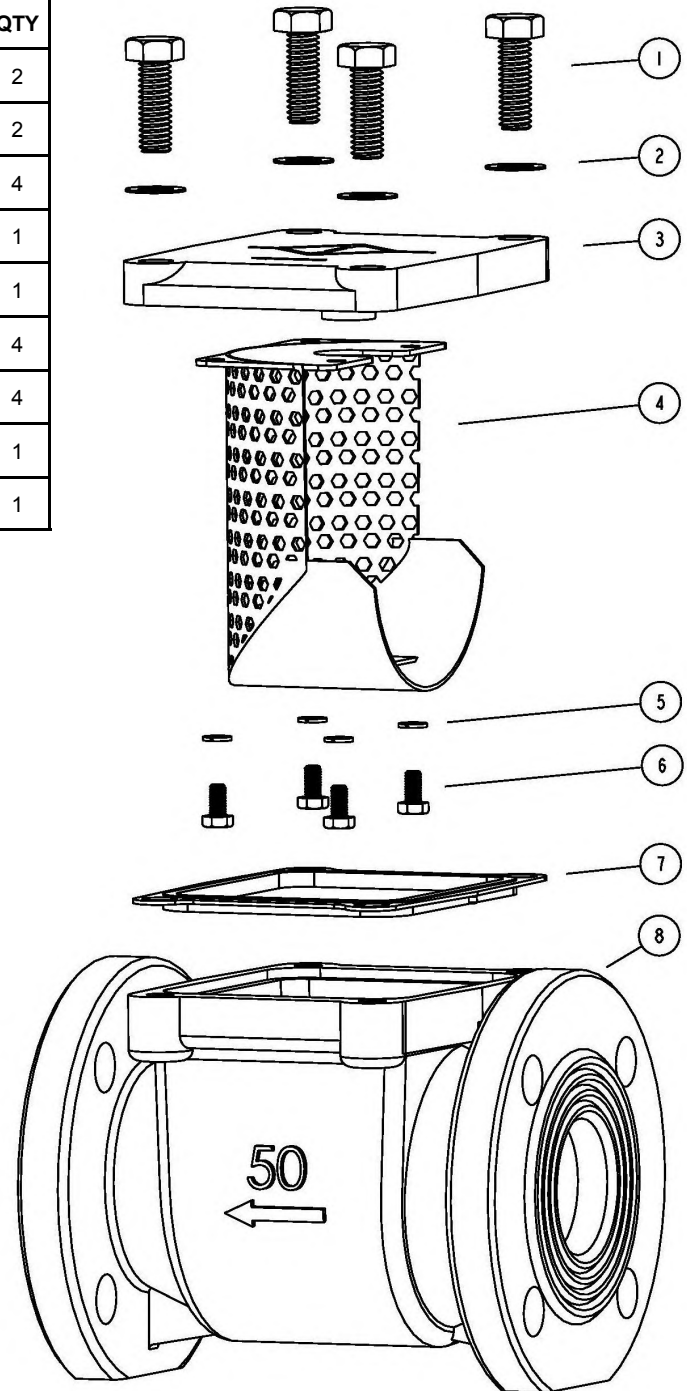


ITEM	Part #	Part Description	QTY
1A	.10C30HCSS	Bolt Hex Cap SS M10	4
1B	.10C30HCSS-DH	Bolt Hex Cap SS M10 with Drilled Hole	2
2	.10N18WSHS	Washer Flat SS M10	6
3	ZSW02-2BF-CVR	ZSW02-2BF Strainer Cover, Cast Iron	1
4	ZSB02-GSKT	ZSB02 Strainer Gasket	1
5	ZSB02-SCR	ZSB02 Strainer Screen Assembly, SS	1
6	.06C10WLSS	Washer Lock SS M6	4
7	.06C10HCSS	Bolt Hex Cap SS M6	4
8	ZSB02-2BF-HSG	ZSB02 Housing, Bronze	1

## ZENNER Cast Iron Strainer

Parts list for Model ZSW02 (Size 2")

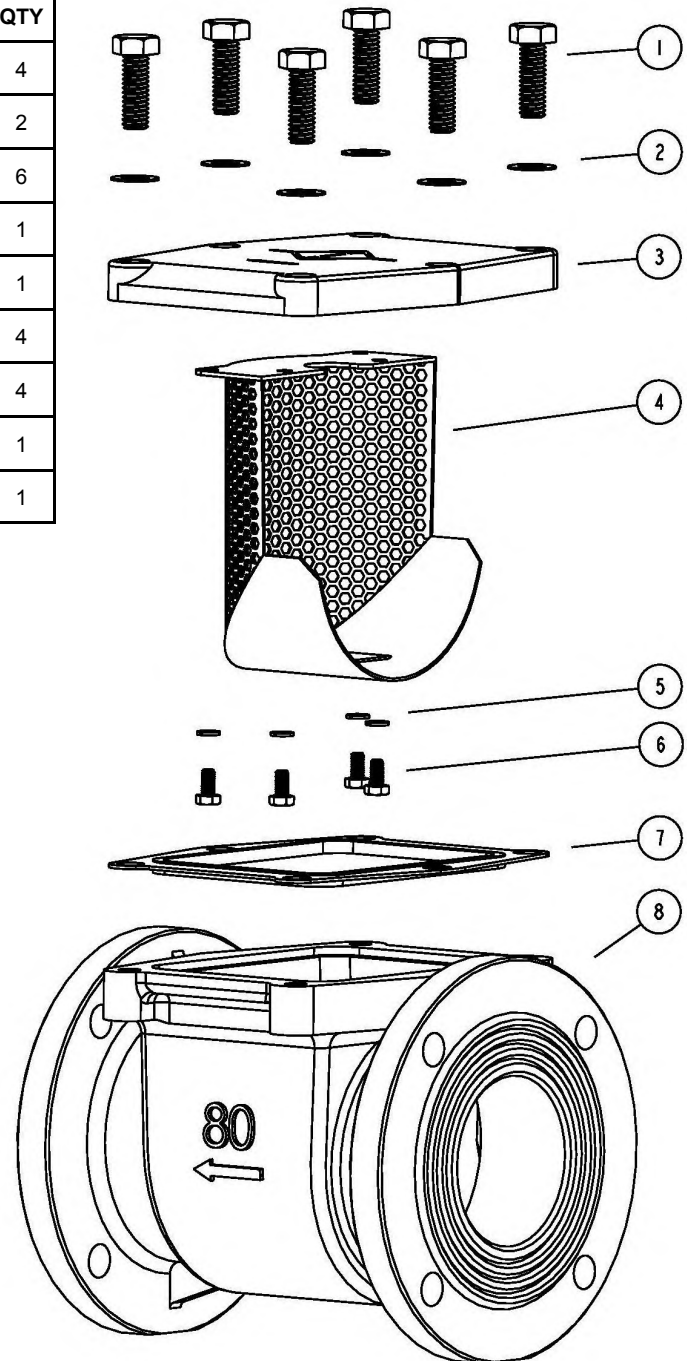
ITEM	Part #	Part Description	QTY
1A	.12C35HCSS	Bolt Hex Cap SS M12	2
1B	.12C35HCSS-DH	Bolt Hex Cap SS M12 with Drilled Hole	2
2	.12N20WSHS	Washer Flat SS M12	4
3	ZSW02-CVR	ZSW02 Strainer Cover, Cast Iron	1
4	ZSW02-SCR	ZSW02 Strainer Screen Assembly, SS	1
5	.06C10WLSS	Washer Lock SS M6	4
6	.06C12HCSS	Bolt Hex Cap SS M6	4
7	ZSW02-GSKT	Strainer Gasket	1
8	ZSW02-HSG	Housing, 2", Cast Iron	1



## ZENNER Cast Iron Strainer

Parts list for Model ZSW03 (Size 3")

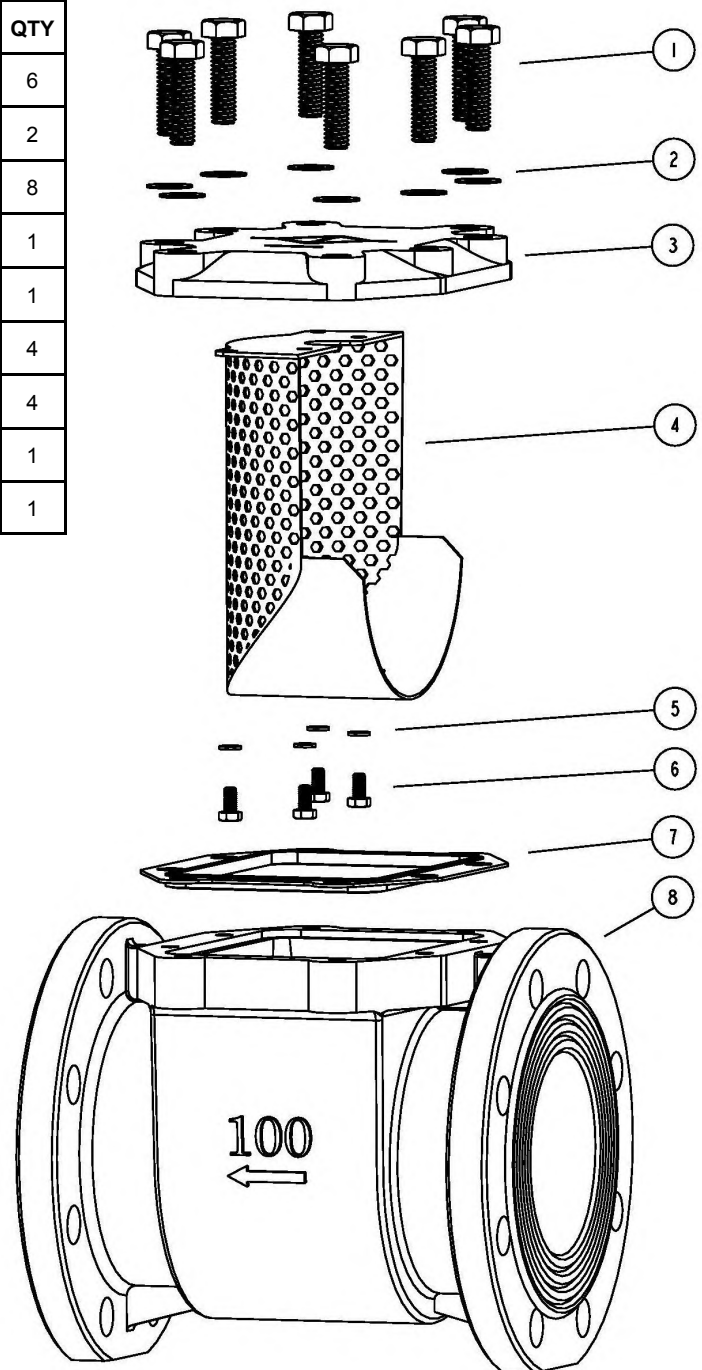
ITEM	Part #	Part Description	QTY
1A	.12C35HCSS	Bolt Hex Cap SS M12	4
1B	.12C35HCSS-DH	Bolt Hex Cap SS M12 with Drilled Hole	2
2	.12N20WSHS	Washer Flat SS M12	6
3	ZSW03-CVR	ZSW03 Strainer Cover, Cast Iron	1
4	ZSW03-SCR	ZSW03 Strainer Screen Assembly, SS	1
5	.06C10WLSS	Washer Lock SS M6	4
6	.06C12HCSS	Bolt Hex Cap SS M6	4
7	ZSW03-GSKT	Strainer Gasket	1
8	ZSW03-HSG	Housing, 3", Cast Iron	1



## ZENNER Cast Iron Strainer

Parts list for Model ZSW04 (Size 4")

ITEM	Part #	Part Description	QTY
1A	.12C45HCSS	Bolt Hex Cap SS M12	6
1B	.12C45HCSS-DH	Bolt Hex Cap SS M12 with Drilled Hole	2
2	.12N20WSHS	Washer Flat SS M12	8
3	ZSW04-CVR	ZSW04 Strainer Cover, Cast Iron	1
4	ZSW04-SCR	ZSW04 Strainer Screen Assembly, SS	1
5	.06C10WLSS	Washer Lock SS M6	4
6	.06C12HCSS	Bolt Hex Cap SS M6	4
7	ZSW04-GSKT	ZSW04 Strainer Gasket	1
8	ZSW04-HSG	ZSW04 Strainer Housing, Cast Iron	1

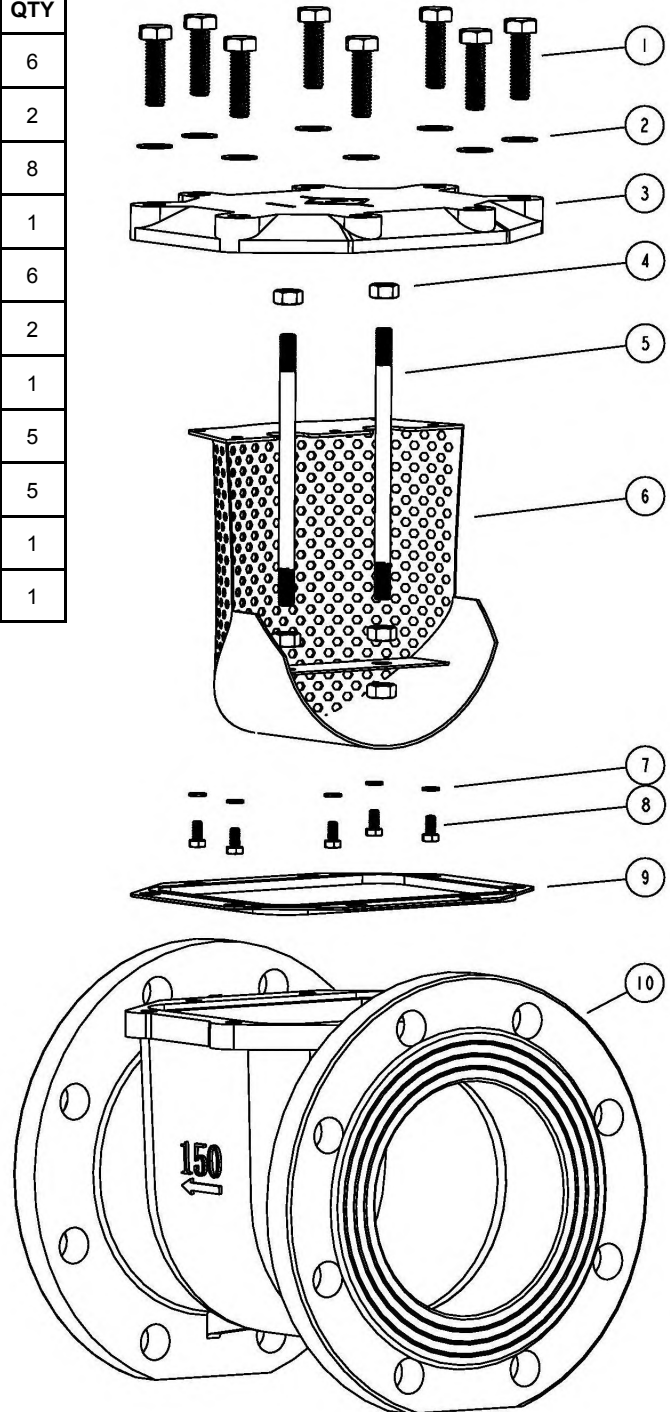




## ZENNER Cast Iron Strainer

Parts list for Model ZSW06 (Size 6")

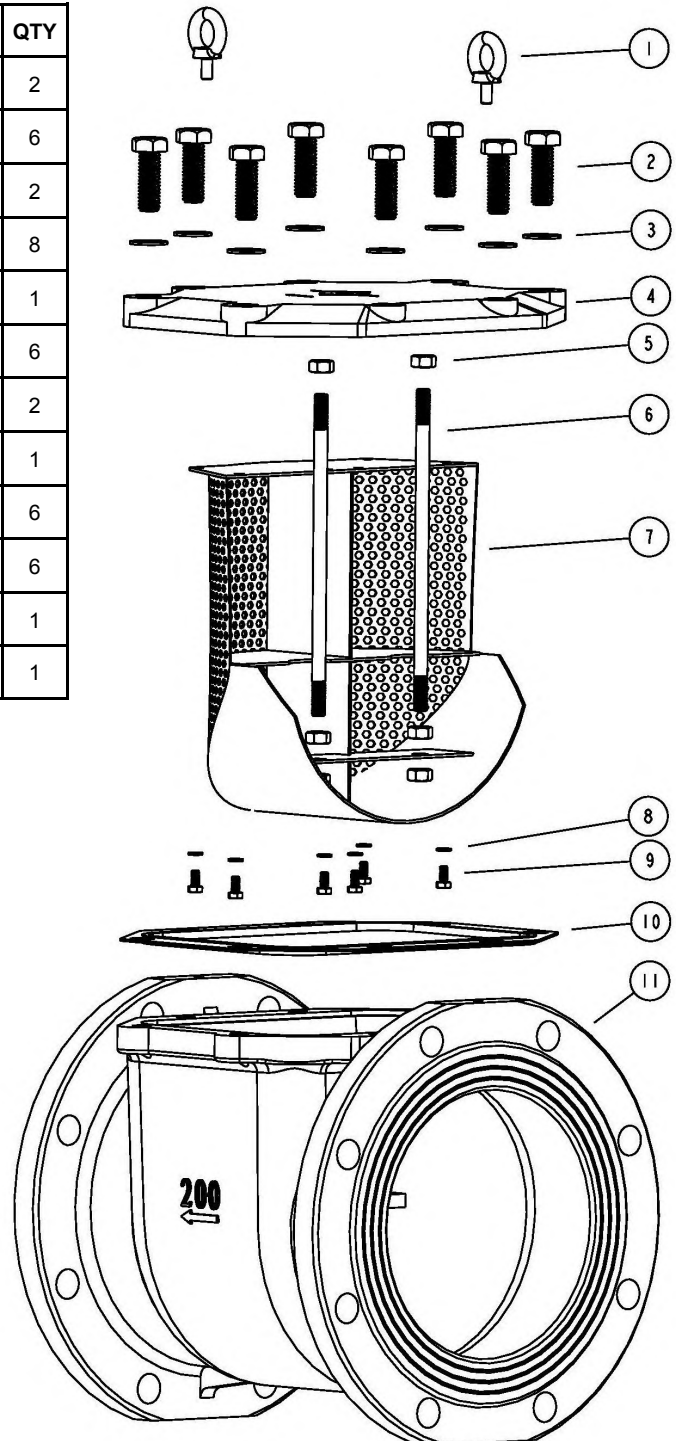
ITEM	Part #	Part Description	QTY
1A	.12C45HCSS	Bolt Hex Cap SS M12	6
1B	.12C45HCSS-DH	Bolt Hex Cap SS M12 with Drilled Hole	2
2	.12N20WSHS	Washer Flat SS M12	8
3	ZSW06-CVR	ZSW06 Strainer Cover, Cast Iron	1
4	.10CNFHS	Nut Hex SS M10	6
5	ZSW06-STUD-M10	Stud, Double End, SS M10	2
6	ZSW06-SCR	ZSW06 Strainer Screen Assembly, SS	1
7	.06C10WLSS	Washer Lock SS M6	5
8	.06C12HCSS	Bolt Hex Cap SS M6	5
9	ZSW06-GSKT	ZSW06 Strainer Gasket	1
10	ZSW06-HSG	ZSW06 Strainer Housing, Cast Iron	1



## ZENNER Cast Iron Strainer

Parts list for Model ZSW08 (Size 8")

ITEM	Part #	Part Description	QTY
1		Eye Bolt, M8-1.25	2
2A	.16C45HCSS	Bolt Hex Cap SS M16	6
2B	.16C45HCSSDH	Bolt Hex Cap SS M16 with Drilled Hole	2
3	AN960-C1016	Washer Flat SS M16	8
4	ZSW08-CVR	ZSW08 Strainer Cover, Cast Iron	1
5	.10CNFHS	Nut Hex SS M10	6
6	ZSW08-STUD-M10	Stud, Double End, SS M10	2
7	ZSW06-SCR	ZSW06 Strainer Screen Assembly, SS	1
8	.06C10WLSS	Washer Lock SS M6	6
9	.06C12HCSS	Bolt Hex Cap SS M6	6
10	ZSW08-GSKT	ZSW08 Strainer Gasket	1
11	ZSW08-HSG	ZSW08 Strainer Housing, Cast Iron	1



## ZENNER Cast Iron Strainer

Parts list for Model ZSW10 (Size 10")

ITEM	Part #	Part Description	QTY
1		Eye Bolt, M12-1.75	2
2A	.16C45HCSS	Bolt Hex Cap SS M16	8
2B	.16C45HCSSDH	Bolt Hex Cap SS M16 with Drilled Hole	2
3	AN960-C1016	Washer Flat SS M16	10
4	ZSW10-CVR	ZSW10 Strainer Cover, Cast Iron	1
5	.10CNFHS	Nut Hex SS M10	6
6	ZSW10-STUD-M10	Stud, Double End, SS M10	2
7	ZSW10-SCR	ZSW10 Strainer Screen Assembly, SS	1
8	.08C10WLSS	Washer Lock SS M8	6
9	.08C12HCSS	Bolt Hex Cap SS M8	6
10	ZSW10-GSKT	ZSW10 Strainer Gasket	1
11	ZSW10-HSG	ZSW10 Strainer Housing, Cast Iron	1

