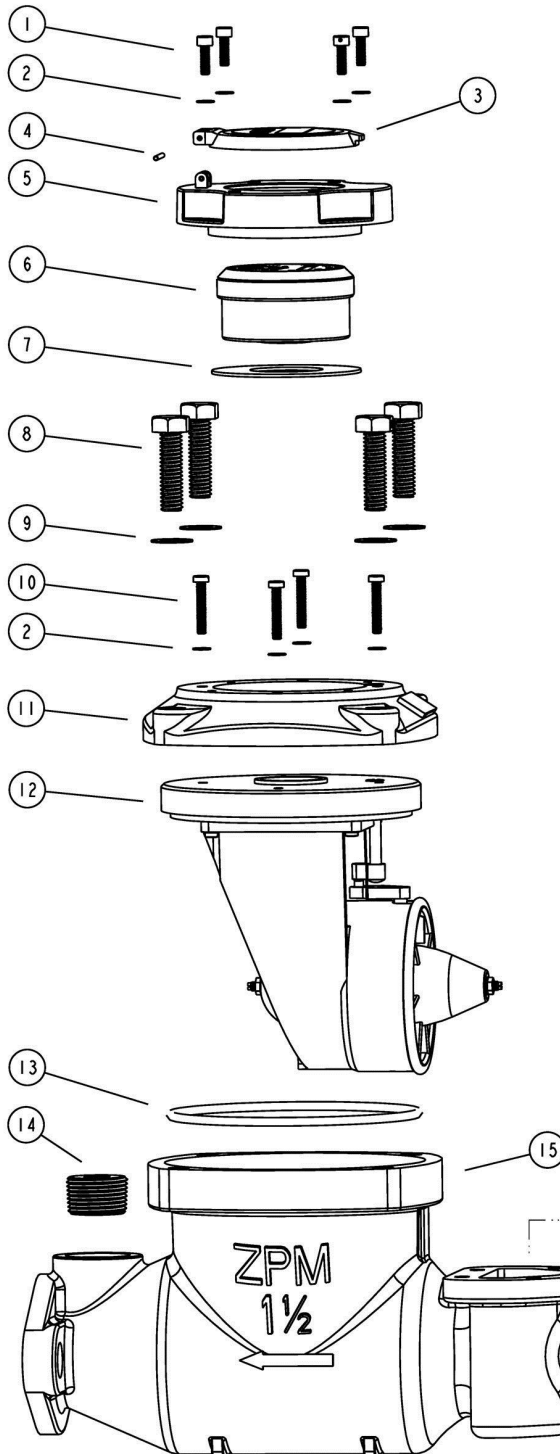
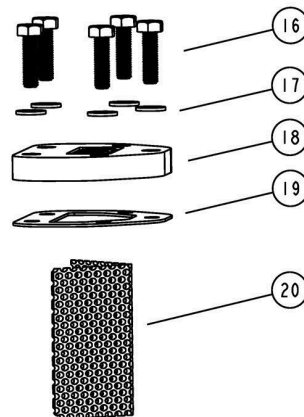


ZENNER Bronze Turbine Meters

Parts List for Model PMTB01 (Size 1-1/2")



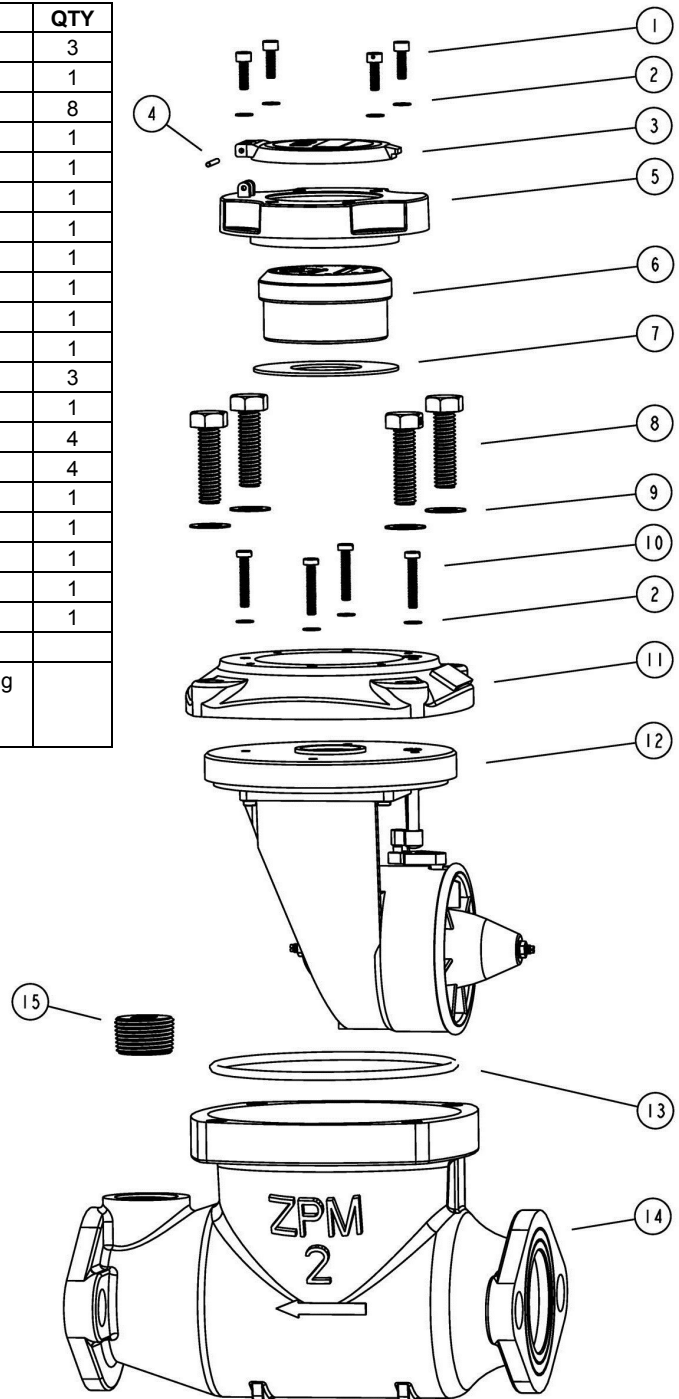
ITEM	PART NUMBER	DESCRIPTION	QTY
1A	.05C10CCSS	Screw Skt Cap SS M5-0.8 x 10	3
1B	.05C10CCSS-DH	Screw Skt Cap SS M5-0.8 x 10, DH	1
2	.05N10WLWC	Washer Lock Wave CU M5 x 10	8
3/4/5	PMT-CVRA-B	Cover Retaining Ring and Lid, Brass	1
3	PM-RCVR-XB	Register Cover, Brass	1
4	PINDOBR-098-100	Register Cover Hinge Pin	1
5	PMT-RRR	PMT Register Retaining Ring	1
6-CF	PMT01-REG-CF	Register, 1-1/2" Turbine, Cubic Feet	1
6-CM	PMT01-REG-CM	Register, 1-1/2" Turbine, Cubic Meters	1
6-US	PMT01-REG-US	Register, 1-1/2" Turbine, U.S.Gallon	1
7	PMT-MBR	Magnet Barrier Ring	1
8A	.12C45HCSS	Bolt Hex Cap SS M12-1.75 x 45	3
8B	.12C45HCSS-DH	Bolt Hex Cap SS M12-1.75 x 45, DH	1
9	.12N20WSHS	Washer Flat SS M12 x 20 OD	4
10	.05C30MSPS	Screw Slot Pan SS M5-0.8 x 28	4
11	PMT03-CVRPL-B	Cover Plate, Brass	1
12	PMT03-MEA	Turbine Meter Measuring Element, 3"	1
13	PMT03-ORING-ME	O-Ring for Measuring Element	1
14	B-CSP05	Test Plug, 1", Bronze, LF	1
15	PMTB01-HSG	Housing, 1-1/2", Bronze	1
16	.08C30HCSS	Bolt Hex Cap SS M8-1.25 x 30	5
17	.08N16WSHS	Washer Flat SS M8 x 16 OD	5
18	PMTB01-STR-CVR	Strainer Cover, Brass	1
19	PMTB01-STR-GSKT	Strainer Gasket	1
20	PMTB01-STR-SCR	Strainer Screen, SS	1
	PMT01-UME-**	Complete 1-1/2" PMT01 Unitized Measuring Element Assembly, **= US, CF or CM. Includes items 1 thru 7 and 10 thru 13	



ZENNER Bronze Turbine Meters

Parts List for Model PMTB02 (Size 2")

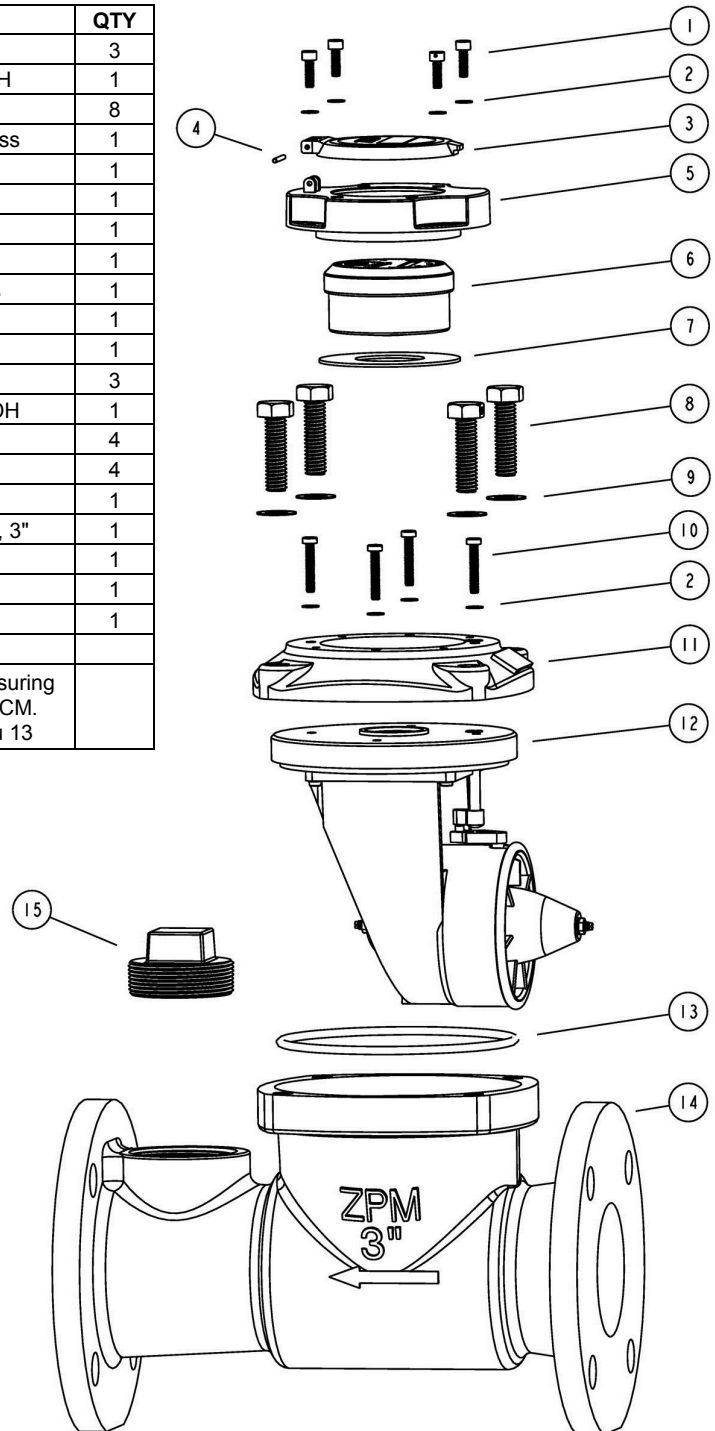
ITEM	PART NUMBER	DESCRIPTION	QTY
1A	.05C10CCSS	Screw Skt Cap SS M5-0.8 x 10	3
1B	.05C10CCSS-DH	Screw Skt Cap SS M5-0.8 x 10, DH	1
2	.05N10WLWC	Washer Lock Wave CU M5 x 10	8
3/4/5	PMT-CVRA-B	Cover Retaining Ring and Lid, Brass	1
3	PM-RCVR-XB	Register Cover, Brass	1
4	PINDOBR-098-100	Register Cover Hinge Pin	1
5	PMT-RRR	PMT Register Retaining Ring	1
6-CF	PMT02-REG-CF	Register, 2" Turbine, Cubic Feet	1
6-CM	PMT02-REG-CM	Register, 2" Turbine, Cubic Meters	1
6-US	PMT02-REG-US	Register, 2" Turbine, U.S.Gallon	1
7	PMT-MBR	Magnet Barrier Ring	1
8A	.12C45HCSS	Bolt Hex Cap SS M12-1.75 x 45	3
8B	.12C45HCSS-DH	Bolt Hex Cap SS M12-1.75 x 45, DH	1
9	.12N20WSHS	Washer Flat SS M12 x 20 OD	4
10	.05C30MSPS	Screw Slot Pan SS M5-0.8 x 28	4
11	PMT03-CVRPL-B	Cover Plate, Brass	1
12	PMT03-MEA	Turbine Meter Measuring Element, 3"	1
13	PMT03-ORING-ME	O-Ring for Measuring Element	1
14	PMTB02-HSG	Housing, 2", Bronze	1
15	B-CSP05	Test Plug, 1", Bronze, LF	1
	PMT02-UME-**	Complete 2" PMT02 Unitized Measuring Element Assembly, **= US, CF or CM. Includes items 1 thru 7 and 10 thru 13	



ZENNER Bronze Turbine Meters

Parts List for Model PMTB03 (Size 3")

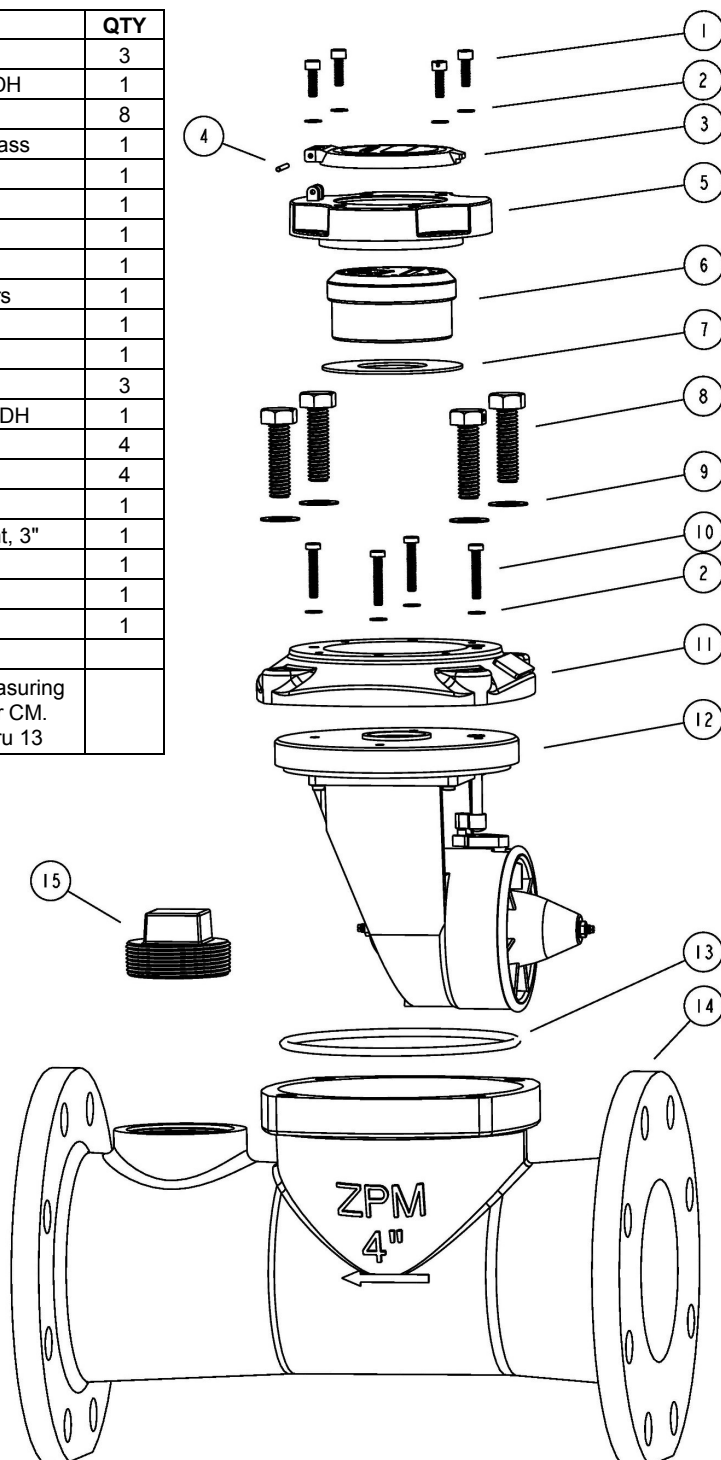
ITEM	PART NUMBER	DESCRIPTION	QTY
1A	.05C10CCSS	Screw Skt Cap SS M5-0.8 x 10	3
1B	.05C10CCSS-DH	Screw Skt Cap SS M5-0.8 x 10, DH	1
2	.05N10WLWC	Washer Lock Wave CU M5 x 10	8
3/4/5	PMT-CVRA-B	Cover Retaining Ring and Lid, Brass	1
3	PM-RCVR-XB	Register Cover, Brass	1
4	PINDOBR-098-100	Register Cover Hinge Pin	1
5	PMT-RRR	PMT Register Retaining Ring	1
6-CF	PMT03-REG-CF	Register, 3" Turbine, Cubic Feet	1
6-CM	PMT03-REG-CM	Register, 3" Turbine, Cubic Meters	1
6-US	PMT03-REG-US	Register, 3" Turbine, U.S.Gallon	1
7	PMT-MBR	Magnet Barrier Ring	1
8A	.12C45HCSS	Bolt Hex Cap SS M12-1.75 x 45	3
8B	.12C45HCSS-DH	Bolt Hex Cap SS M12-1.75 x 45, DH	1
9	.12N20WSHS	Washer Flat SS M12 x 20 OD	4
10	.05C30MSPS	Screw Slot Pan SS M5-0.8 x 28	4
11	PMT03-CVRPL-B	Cover Plate, Brass	1
12	PMT03-MEA	Turbine Meter Measuring Element, 3"	1
13	PMT03-ORING-ME	O-Ring for Measuring Element	1
14	PMTB03-HSG	Housing, 3", Bronze	1
15	B-PL08	Test Plug, 2", Bronze	1
	PMT03-UME-**	Complete 3" PMT03 Unitized Measuring Element Assembly, **= US, CF or CM. Includes items 1 thru 7 and 10 thru 13	



ZENNER Bronze Turbine Meters

Parts List for Model PMTB04 (Size 4")

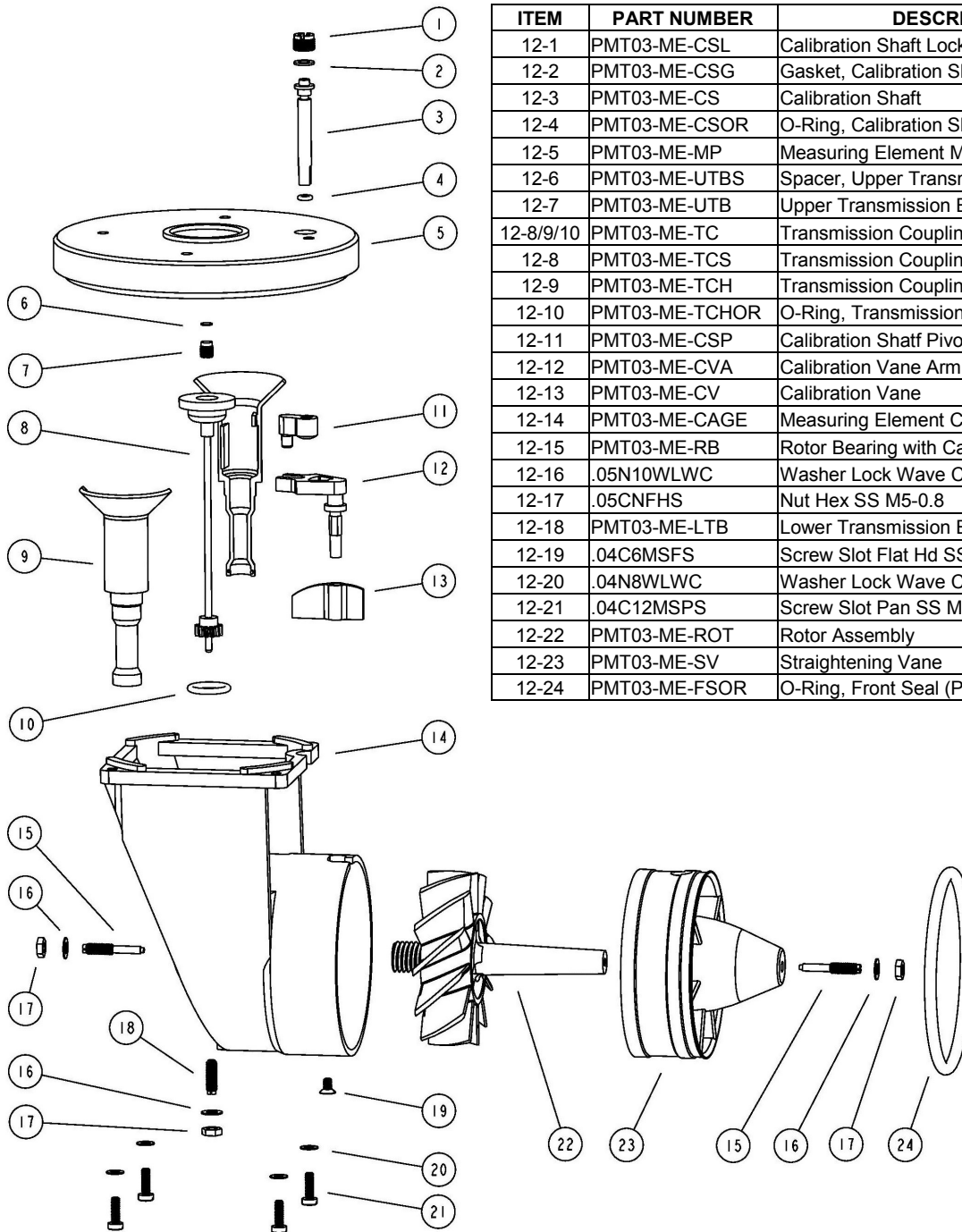
ITEM	PART NUMBER	DESCRIPTION	QTY
1A	.05C10CCSS	Screw Skt Cap SS M5-0.8 x 10	3
1B	.05C10CCSS-DH	Screw Skt Cap SS M5-0.8 x 10, DH	1
2	.05N10WLWC	Washer Lock Wave CU M5 x 10	8
3/4/5	PMT-CVRA-B	Cover Retaining Ring and Lid, Brass	1
3	PM-RCVR-XB	Register Cover, Brass	1
4	PINDOBR-098-100	Register Cover Hinge Pin	1
5	PMT-RRR	PMT Register Retaining Ring	1
6-CF	PMT04-REG-CF	Register, 4" Turbine, Cubic Feet	1
6-CM	PMT04-REG-CM	Register, 4" Turbine, Cubic Meters	1
6-US	PMT04-REG-US	Register, 4" Turbine, U.S.Gallon	1
7	PMT-MBR	Magnet Barrier Ring	1
8A	.12C45HCSS	Bolt Hex Cap SS M12-1.75 x 45	3
8B	.12C45HCSS-DH	Bolt Hex Cap SS M12-1.75 x 45, DH	1
9	.12N20WSHS	Washer Flat SS M12 x 20 OD	4
10	.05C30MSPS	Screw Slot Pan SS M5-0.8 x 28	4
11	PMT03-CVRPL-B	Cover Plate, Brass	1
12	PMT03-MEA	Turbine Meter Measuring Element, 3"	1
13	PMT03-ORING-ME	O-Ring for Measuring Element	1
14	PMTB04-HSG	Housing, 4", Bronze	1
15	B-PL08	Test Plug, 2", Bronze	1
	PMT04-UME-**	Complete 4" PMT04 Unitized Measuring Element Assembly, **= US, CF or CM. Includes items 1 thru 7 and 10 thru 13	



ZENNER Bronze Turbine Meters

Measuring Element Parts List for Models

PMTB01, PMTB02, PMTB03, PMTB04 (Sizes 1-1/2", 2", 3", 4")

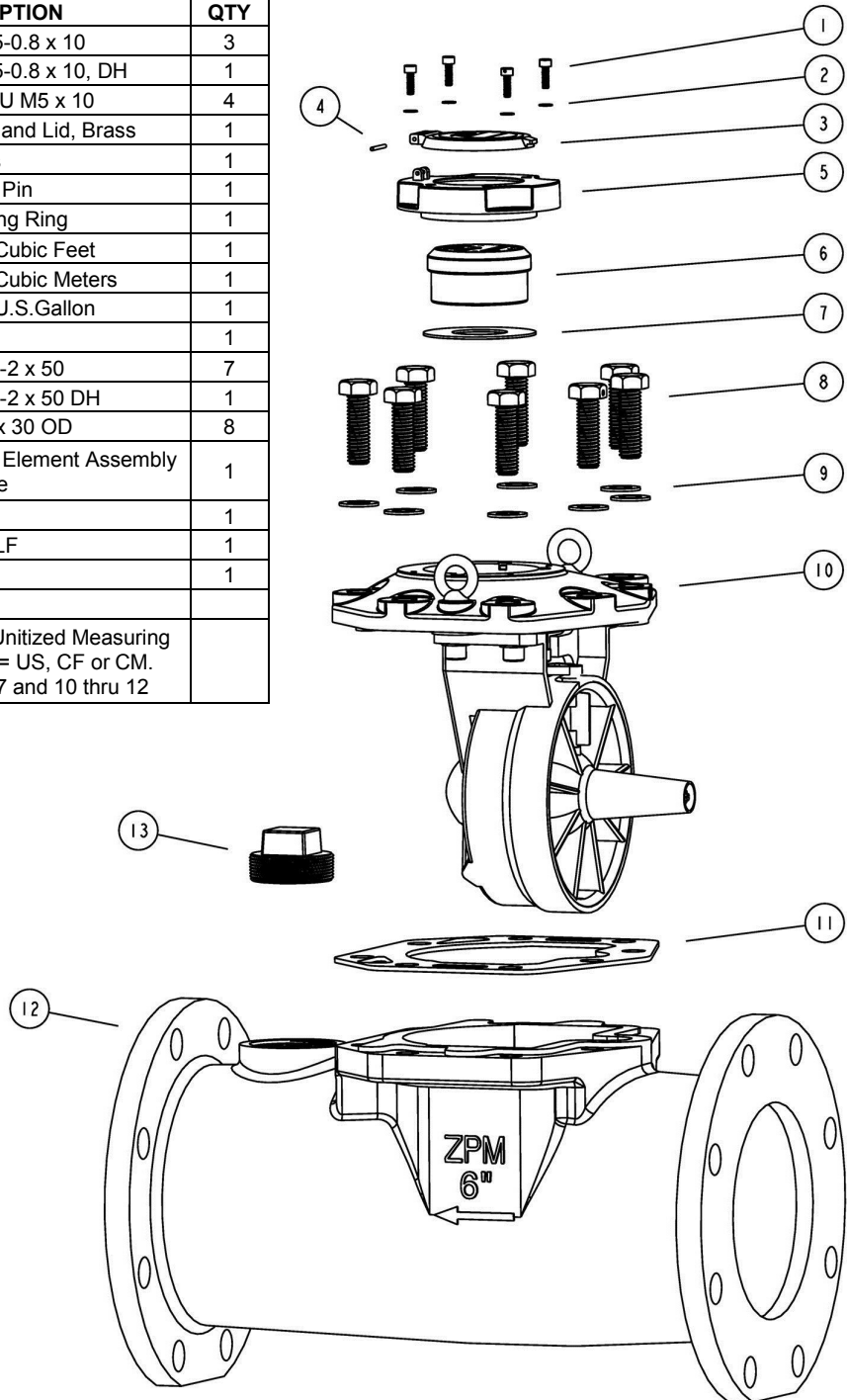


ITEM	PART NUMBER	DESCRIPTION	QTY
12-1	PMT03-ME-CSL	Calibration Shaft Lock	1
12-2	PMT03-ME-CSG	Gasket, Calibration Shaft Lock	1
12-3	PMT03-ME-CS	Calibration Shaft	1
12-4	PMT03-ME-CSOR	O-Ring, Calibration Shaft	1
12-5	PMT03-ME-MP	Measuring Element Mounting Plate	1
12-6	PMT03-ME-UTBS	Spacer, Upper Transmission Bearing	1
12-7	PMT03-ME-UTB	Upper Transmission Bearing w/ Jewel	1
12-8/9/10	PMT03-ME-TC	Transmission Coupling Assembly	1
12-8	PMT03-ME-TCS	Transmission Coupling Shaft	1
12-9	PMT03-ME-TCH	Transmission Coupling Housing	2
12-10	PMT03-ME-TCHOR	O-Ring, Transmission Coupling Housing	1
12-11	PMT03-ME-CSP	Calibration Shaft Pivot, SS	1
12-12	PMT03-ME-CVA	Calibration Vane Arm, SS	1
12-13	PMT03-ME-CV	Calibration Vane	1
12-14	PMT03-ME-CAGE	Measuring Element Cage	1
12-15	PMT03-ME-RB	Rotor Bearing with Carbide Tip	2
12-16	.05N10WLWC	Washer Lock Wave CU M5 x 10	3
12-17	.05CNFHS	Nut Hex SS M5-0.8	3
12-18	PMT03-ME-LTB	Lower Transmission Bearing w/ Jewel	1
12-19	.04C6MSFS	Screw Slot Flat Hd SS M4-0.7 x 6	1
12-20	.04N8WLWC	Washer Lock Wave CU M4 x 8	4
12-21	.04C12MSPS	Screw Slot Pan SS M4-0.7 x 12	4
12-22	PMT03-ME-ROT	Rotor Assembly	1
12-23	PMT03-ME-SV	Straightening Vane	1
12-24	PMT03-ME-FSOR	O-Ring, Front Seal (PMTB01/02/03 Only)	1

ZENNER Bronze Turbine Meters

Parts List for Model PMTB06 (Size 6")

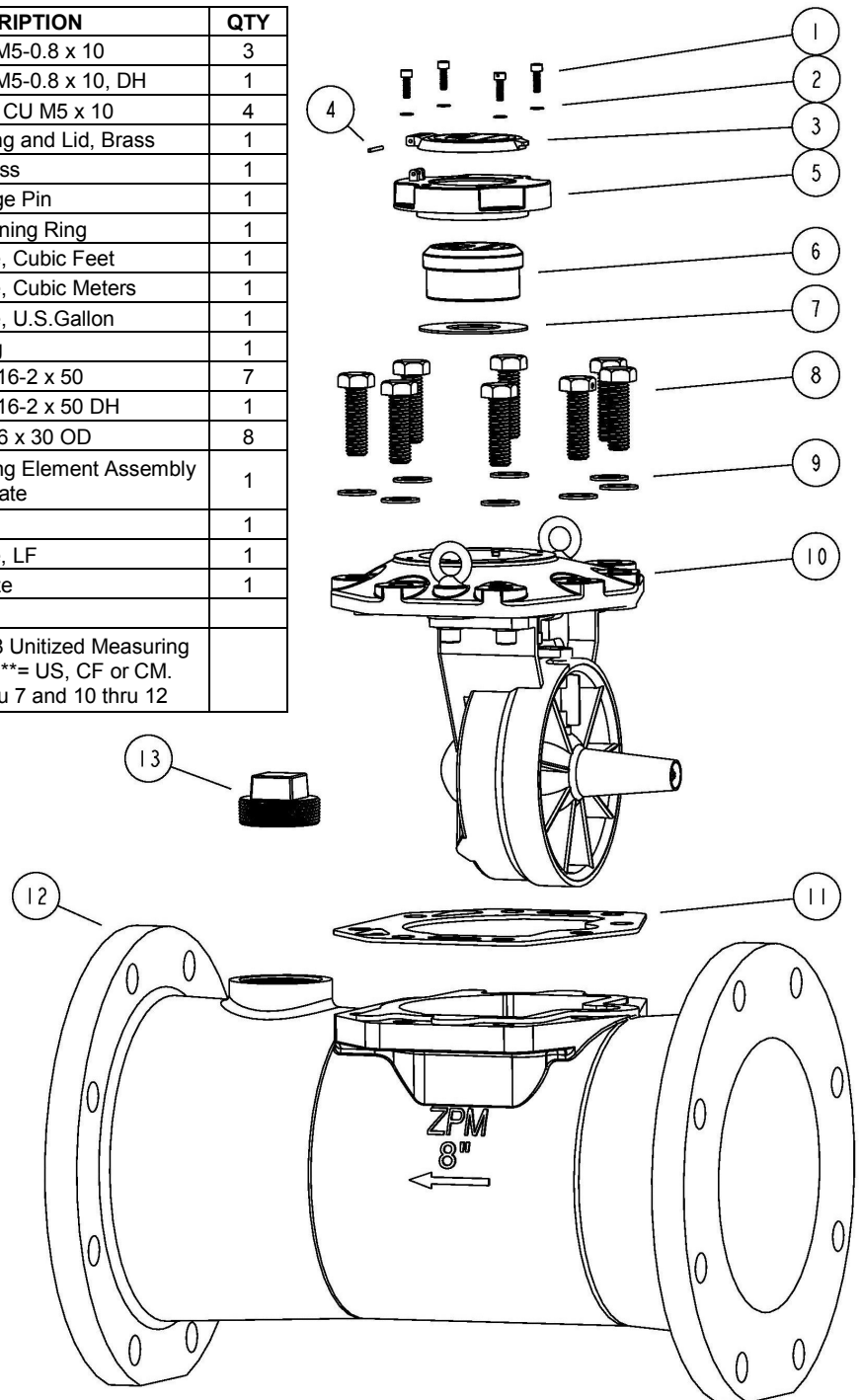
ITEM	PART NUMBER	DESCRIPTION	QTY
1A	.05C10CCSS	Screw Skt Cap SS M5-0.8 x 10	3
1B	.05C10CCSS-DH	Screw Skt Cap SS M5-0.8 x 10, DH	1
2	.05N10WLWC	Washer Lock Wave CU M5 x 10	4
3/4/5	PMT-CVRA-B	Cover Retaining Ring and Lid, Brass	1
3	PM-RCVR-XB	Register Cover, Brass	1
4	PINDOBR-098-100	Register Cover Hinge Pin	1
5	PMT-RRR	PMT Register Retaining Ring	1
6-CF	PMT06-REG-CF	Register, 6" Turbine, Cubic Feet	1
6-CM	PMT06-REG-CM	Register, 6" Turbine, Cubic Meters	1
6-US	PMT06-REG-US	Register, 6" Turbine, U.S.Gallon	1
7	PMT-MBR	Magnet Barrier Ring	1
8A	.16C50HCSS	Bolt Hex Cap SS M16-2 x 50	7
8B	.16C50HCSS-DH	Bolt Hex Cap SS M16-2 x 50 DH	1
9	.16N30WSHS	Washer Flat SS M16 x 30 OD	8
10	PMT06-MEA-WCP	PMT06/08 Measuring Element Assembly with Brass Cover Plate	1
11	PMT06-GSKT-CP	Cover Plate Gasket	1
12	PMTB06-HSG	Housing, 6", Bronze, LF	1
13	B-PL08	Test Plug, 2", Bronze	1
	PMT06-UME-**	Complete 6" PMT06 Unitized Measuring Element Assembly, **= US, CF or CM. Includes items 1 thru 7 and 10 thru 12	



ZENNER Bronze Turbine Meters

Parts List for Model PMTB08 (Size 8")

ITEM	PART NUMBER	DESCRIPTION	QTY
1A	.05C10CCSS	Screw Skt Cap SS M5-0.8 x 10	3
1B	.05C10CCSS-DH	Screw Skt Cap SS M5-0.8 x 10, DH	1
2	.05N10WLWC	Washer Lock Wave CU M5 x 10	4
3/4/5	PMT-CVRA-B	Cover Retaining Ring and Lid, Brass	1
3	PM-RCVR-XB	Register Cover, Brass	1
4	PINDOBR-098-100	Register Cover Hinge Pin	1
5	PMT-RRR	PMT Register Retaining Ring	1
6-CF	PMT08-REG-CF	Register, 8" Turbine, Cubic Feet	1
6-CM	PMT08-REG-CM	Register, 8" Turbine, Cubic Meters	1
6-US	PMT08-REG-US	Register, 8" Turbine, U.S.Gallon	1
7	PMT-MBR	Magnet Barrier Ring	1
8A	.16C50HCSS	Bolt Hex Cap SS M16-2 x 50	7
8B	.16C50HCSS-DH	Bolt Hex Cap SS M16-2 x 50 DH	1
9	.16N30WSHS	Washer Flat SS M16 x 30 OD	8
10	PMT06-MEA-WCP	PMT06/08 Measuring Element Assembly with Brass Cover Plate	1
11	PMT06-GSKT-CP	Cover Plate Gasket	1
12	PMTB08-HSG	Housing, 8", Bronze, LF	1
13	B-PL08	Test Plug, 2", Bronze	1
	PMT08-UME-**	Complete 8" PMT08 Unitized Measuring Element Assembly, **= US, CF or CM. Includes items 1 thru 7 and 10 thru 12	



ZENNER Bronze Turbine Meters

Measuring Element Parts List for Models PMTB06, PMTB08 (Sizes 6", 8")

ITEM	PART NUMBER	DESCRIPTION	QTY
10-1	.05C30MSPS	Screw Slot Pan SS M5-0.8 x 30	2
10-2	.05N10WLWC	Washer Lock Wave CU M5 x 10	2
10-3		Eye Bolt M8-1.25	2
10-4	PMT06-CVRPL-B	Cover Plate, Brass	1
10-5	PMT06-ME-CSL	Calibration Shaft Lock	1
10-6	PMT06-ME-CSG	Calibration Shaft Gasket	1
10-7	PMT06-ME-CS	Calibration Shaft	1
10-8	PMT06-ME-CSOR	Calibration Shaft O-Ring	1
10-9	PMT06-ME-MP	Measuring Element Mounting Plate	1
10-10	PMT06-ME-OR	Measuring Element O-Ring	2
10-11	PMT06-ME-UTBS	Spacer, Upper Transmission Bearing	1
10-12	PMT06-ME-UTB	Upper Transmission Bearing w/Jewel	1
10-13/14/15	PMT06-ME-TC	Transmission Coupling Assembly	1
10-13	PMT06-ME-TCS	Transmission Coupling Shaft	1
10-14	PMT06-ME-TCH	Transmission Coupling Housing	2
10-15	PMT06-ME-TCHOR	O-Ring, Transmission Coupling Housing	1
10-16	PMT06-ME-CSP	Calibration Shaft Pivot	2
10-17	PMT06-ME-CVA	Calibration Vane Arm	3
10-18	PMT06-ME-CV	Calibration Vane	3
10-19	PMT06-ME-CAGE	Measuring Element Cage Assembly	1
10-20	PMT06-ME-RB	Rotor Bearing with Carbide Tip	2
10-21	.08N16WLWC	Washer Lock Wave CU M8 x 16	2
10-22	.08CNFHS	Nut Hex SS M8-1.25	2
10-23	PMT06-ME-LTB	Lower Transmission Bearing Assy	1
10-24	.05N10WLWC	Washer Lock Wave CU M5 x 10	1
10-25	.05CNFHS	Nut Hex SS M5-0.8	1
10-26	.10N20WSHS	Washer Flat SS M10 x 20	4
10-27	.10C25CCSS	Screw Skt Cap SS M10-1.5 x 25	4
10-28	.08C10CSSS	Screw Set Slotted SS M8-1.25 x 10	1
10-29	PMT06-ME-ROT	Rotor Assembly	1
10-30	PMT06-ME-SV	Straightening Vane Assembly	1