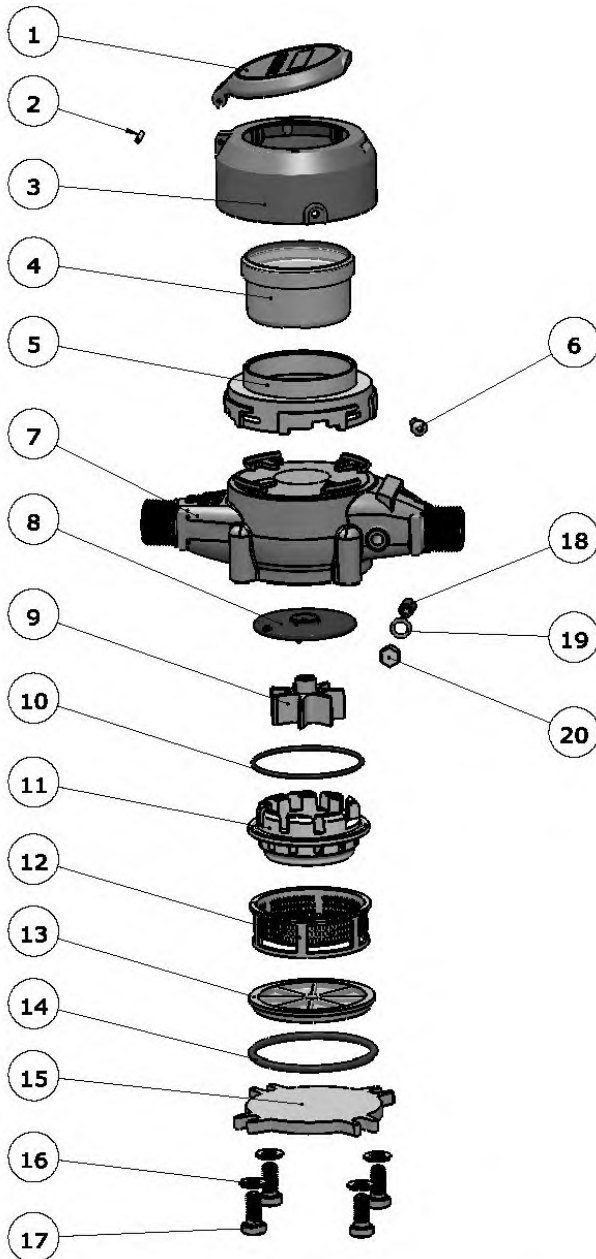


ZENNER Multi-jet Reclaimed Cold Water Meters

Parts List for Models PMNR01 and PMNR02 (Newer MTK Version)

Sizes: 5/8X1/2, 5/8X3/4

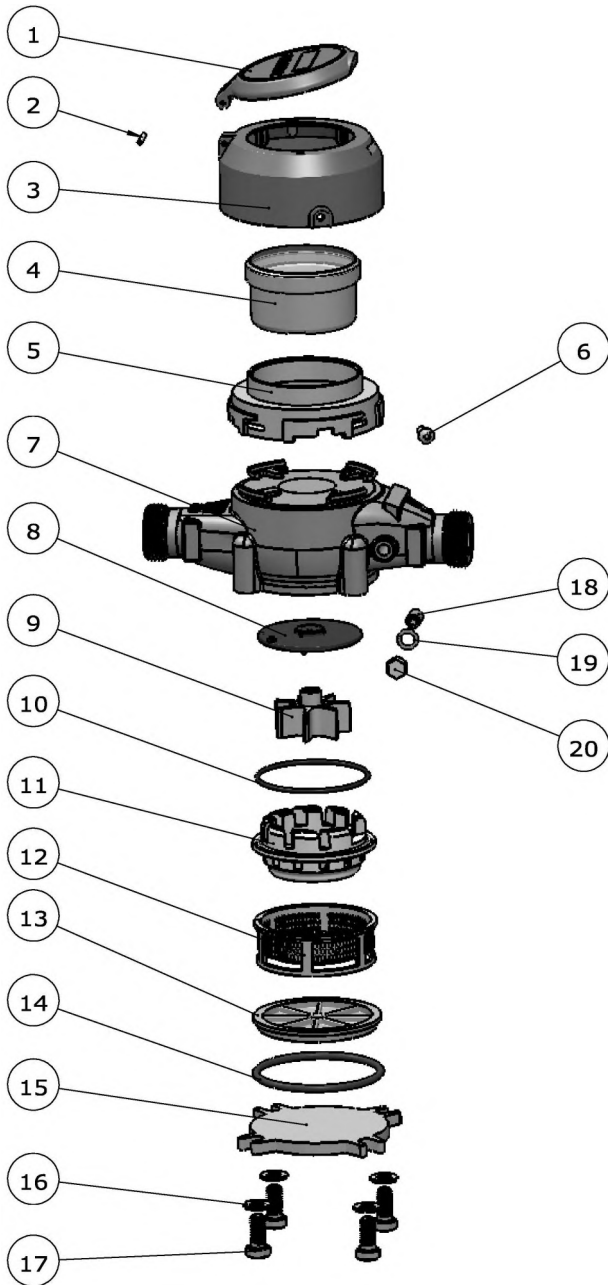


ITEM	PART NUMBER	DESCRIPTION	QTY
1-B	PM-RCVR-XB	Register Cover, Brass	1
1-P	ZM-RCVR-XP-PUR	Register Cover, Plastic, Purple	1
1-BE	ZM-RCVR-EB	Register Cover, Brass, ETRU	1
1-PE	ZP-RCVR-EP-PUR	Register Cover, Plastic, ETRU, Purple	1
2-B	PINDOBR-098-100	Register Cover Hinge Pin (for brass)	1
2-P	ZM-RCVR-PIN	Register Cover Hinge Pin (for plastic)	1
3-B	ZM-SHR-B	Register Shroud, Brass	1
3-P	ZM-SHR-P-PUR	Register Shroud, Plastic, Purple	1
4-CF	MTKR02-REG-CF	Register, 5/8" PMNR, Cubic Feet	1
4-CM	MTKR02-REG-CM	Register, 5/8 PMNR, Cubic Meters	1
4-US	MTKR02-REG-US	Register, 5/8" PMNR, U.S. Gallons	1
5	MTK-RR-SHR	Shroud Retaining Ring	1
6	.05C12CPSS-T	Tamper Screw Skt Pan M5-0.8 X 12	1
7-01B	MTK01B-HSG	Housing, 5/8 X 1/2, with Bypass	1
7-02B	MTK02B-HSG	Housing, 5/8 X 3/4, with Bypass	1
8 - 14	MTK02-CHA	Chamber Assembly Complete, 5/8" (Items 8 thru 14)	1
9	MTK02-IMP	Impeller Assembly	1
10	OPMN-63-E7015	O-Ring 63X2 EPDM (Chamber Seal)	1
11	MTK02-IMPH	Impeller Housing Assembly, 5/8"	1
12	MTK02-STR	Strainer	1
13	MTK02-SEAL-RT	Seal Retainer	1
14	OPMN-68-E7015	O-Ring 68X3.5 EPDM (Bottom Plate Seal)	1
15-B	MTK02-BPL-B	Bottom Plate, Brass	1
15-C	MTK02-BPL-C	Bottom Plate, Cast Iron	1
16	31N62WSHS	Washer Flat SS 5/16 x 5/8	4
17	31C75HCSS	Bolt Hex Cap SS 5/16-18 x .75	2
17-DH	31C75HCSS-DH	Bolt Hex Cap SS 5/16-18 x .75, DH	2
18	152887	Screw, Regulating, M8x1x11.7	1
19	110487	Washer M8	1
20	136400	Bolt, Hex, SS, M8, Drilled Hole	1

ZENNER Multi-jet Reclaimed Cold Water Meters

Parts List for Models PMNR03, PMNR04 and PMNR05 (Newer MTK Version)

Sizes: 3/4"SL, 3/4X3/4, 3/4X1

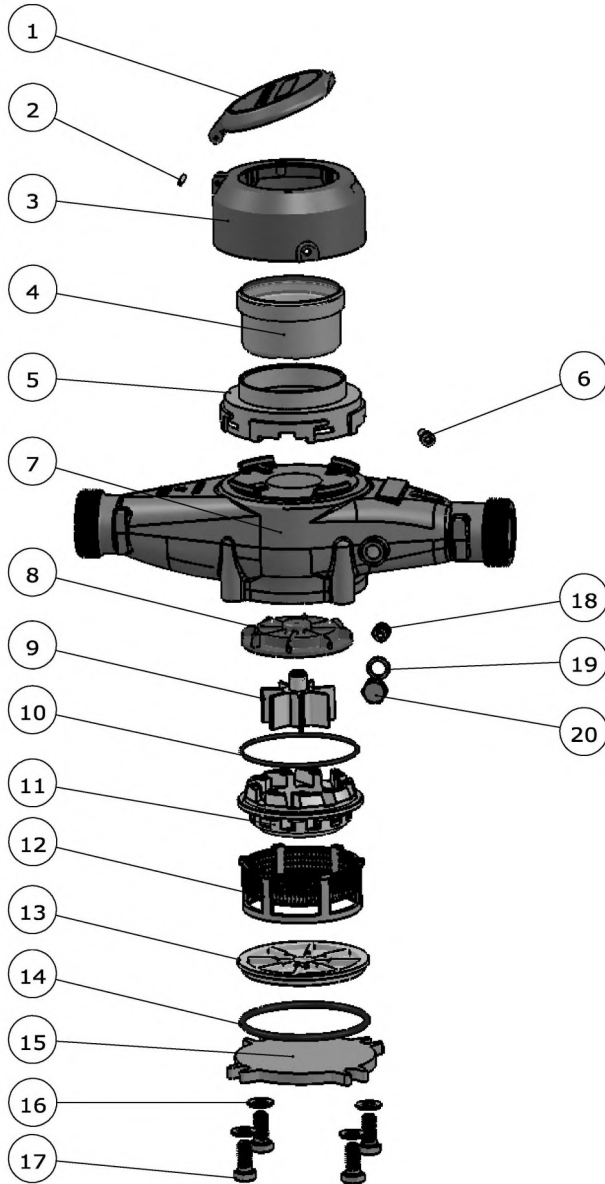


ITEM	PART NUMBER	DESCRIPTION	QTY
1-B	PM-RCVR-XB	Register Cover, Brass	1
1-P	ZM-RCVR-XP-PUR	Register Cover, Plastic, Purple	1
1-BE	ZM-RCVR-EB	Register Cover, Brass, ETRU	1
1-PE	ZP-RCVR-EP-PUR	Register Cover, Plastic, ETRU, Purple	1
2-B	PINDOBR-098-100	Register Cover Hinge Pin (for brass)	1
2-P	ZM-RCVR-PIN	Register Cover Hinge Pin (for plastic)	1
3-B	ZM-SHR-B	Register Shroud, Brass	1
3-P	ZM-SHR-P-PUR	Register Shroud, Plastic, Purple	1
4-CF	MTKR03-REG-CF	Register, 3/4" PMNR, Cubic Feet	1
4-CM	MTKR03-REG-CM	Register, 3/4" PMNR, Cubic Meters	1
4-US	MTKR03-REG-US	Register, 3/4" PMNR, U.S. Gallons	1
5	MTK-RR-SHR	Shroud Retaining Ring	1
6	.05C12CPSS-T	Tamper Screw Skt Pan M5-0.8 X 12	1
7-03B	MTK03B-HSG	Housing, 3/4"SL, with Bypass	1
7-04B	MTK04B-HSG	Housing, 3/4 X 3/4, with Bypass	1
7-05B	MTK05B-HSG	Housing, 3/4 X 1, with Bypass	1
8 - 14	MTK03-CHA	Chamber Assembly Complete, 3/4" (Items 8 thru 14)	1
9	MTK02-IMP	Impeller Assembly	1
10	OPMN-63-E7015	O-Ring 63X2 EPDM (Chamber Seal)	1
11	MTK03-IMPH	Impeller Housing Assembly, 3/4"	1
12	MTK02-STR	Strainer	1
13	MTK02-SEAL-RT	Seal Retainer	1
14	OPMN-68-E7015	O-Ring 68X3.5 EPDM (Bottom Plate Seal)	1
15-B	MTK02-BPL-B	Bottom Plate, Brass	1
15-C	MTK02-BPL-C	Bottom Plate, Cast Iron	1
16	31N62WSHS	Washer Flat SS 5/16 x 5/8	4
17	31C75HCSS	Bolt Hex Cap SS 5/16-18 x .75	2
17-DH	31C75HCSS-DH	Bolt Hex Cap SS 5/16-18 x .75, DH	2
18	152887	Screw, Regulating, M8x1x11.7	1
19	110487	Washer M8	1
20	136400	Bolt, Hex, SS, M8, Drilled Hole	1

ZENNER Multi-jet Reclaimed Cold Water Meters

Parts List for Model PMNR07 (Newer MTK Version)

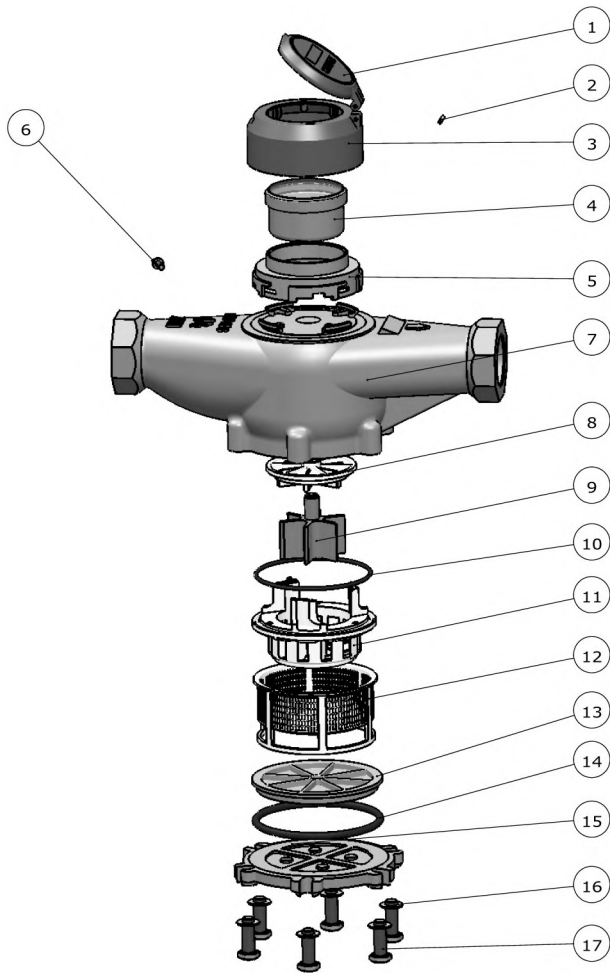
Size: 1"



ITEM	PART NUMBER	DESCRIPTION	QTY
1-B	PM-RCVR-XB	Register Cover, Brass	1
1-P	ZM-RCVR-XP-PUR	Register Cover, Plastic, Purple	1
1-BE	ZM-RCVR-EB	Register Cover, Brass, ETRU	1
1-PE	ZP-RCVR-EP-PUR	Register Cover, Plastic, ETRU, Purple	1
2-B	PINDOBR-098-100	Register Cover Hinge Pin (for brass)	1
2-P	ZM-RCVR-PIN	Register Cover Hinge Pin (for plastic)	1
3-B	ZM-SHR-B	Register Shroud, Brass	1
3-P	ZM-SHR-P-PUR	Register Shroud, Plastic, Purple	1
4-CF	MTKR07-REG-CF	Register, 1" PMNR, Cubic Feet	1
4-CM	MTKR07-REG-CM	Register, 1" PMNR, Cubic Meters	1
4-US	MTKR07-REG-US	Register, 1" PMNR, U.S. Gallons	1
5	MTK-RR-SHR	Shroud Retaining Ring	1
6	.05C12CPSS-T	Tamper Screw Skt Pan M5-0.8 X 12	1
7	MTK07B-HSG	Housing, 1", with Bypass	1
8 - 14	MTK07-CHA	Chamber Assembly Complete, 1" (Items 8 thru 14)	1
9	MTK07-IMP	Impeller Assembly	1
10	OPMN-63-E7015	O-Ring 71X2 EPDM (Chamber Seal)	1
11	MTK07-IMPH	Impeller Housing Assembly, 1"	1
12	MTK07-STR	Strainer	1
13	MTK07-SEAL-RT	Seal Retainer	1
14	OPMN-75-E7015	O-Ring 75X3.55 EPDM (Bottom Plate Seal)	1
15-B	MTK07-BPL-B	Bottom Plate, Brass	1
15-C	MTK07-BPL-C	Bottom Plate, Cast Iron	1
16	31N62WSHS	Washer Flat SS 5/16 x 5/8	4
17	31C75HCSS	Bolt Hex Cap SS 5/16-18 x .75	2
17-DH	31C75HCSS-DH	Bolt Hex Cap SS 5/16-18 x .75, DH	2
18	152886	Screw, Regulating, M10x1x11.6	1
19	110382	Washer M10	1
20	137141	Bolt, Hex, SS, M10, Drilled Hole	1

ZENNER Multi-jet Reclaimed Cold Water Meters

Parts List for Models PMNR08 and PMNR08M (Newer MTK Version)
 Size: 1-1/2" with threaded ends

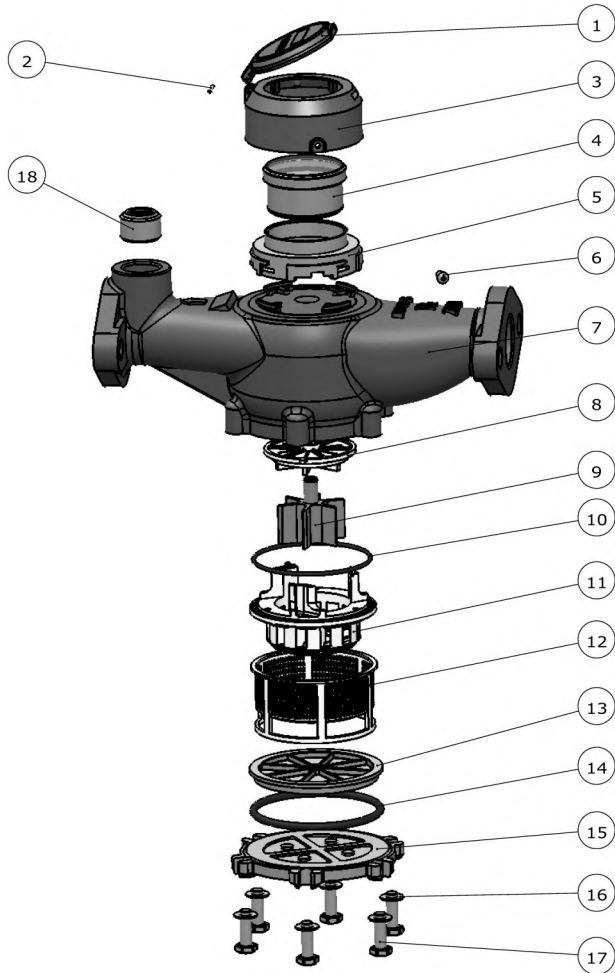


ITEM	PART NUMBER	DESCRIPTION	QTY
1-B	PM-RCVR-XB	Register Cover, Brass	1
1-P	ZM-RCVR-XP-PUR	Register Cover, Plastic, Purple	1
1-BE	ZM-RCVR-EB	Register Cover, Brass, ETRU	1
1-PE	ZP-RCVR-EP-PUR	Register Cover, Plastic, ETRU, Purple	1
2-B	PINDOBR-098-100	Register Cover Hinge Pin (for brass)	1
2-P	ZM-RCVR-PIN	Register Cover Hinge Pin (for plastic)	1
3-B	ZM-SHR-B	Register Shroud, Brass	1
3-P	ZM-SHR-P-PUR	Register Shroud, Plastic, Purple	1
4-CF	MTKR09-REG-CF	Register, 1-1/2" PMNR, Cubic Feet	1
4-CM	MTKR09-REG-CM	Register, 1-1/2" PMNR, Cubic Meters	1
4-US	MTKR09-REG-US	Register, 1-1/2" PMNR, U.S.Gallons	1
5	MTK-RR-SHR	Shroud Retaining Ring	1
6	.05C12CPSS-T	Tamper Screw Skt Pan M5-0.8 X 12	1
7-08	MTK08-HSG	Housing, 1-1/2", 1-1/2"FIPT Threads	1
7-08M	MTK08M-HSG	Housing, 1-1/2", Male Threads	1
8 - 14	MTK09-CHA	Chamber Assembly Complete, For 1-1/2" and 2" (Items 8 thru 14)	1
9	MTK09-IMP	Impeller Assembly	1
10	OPMN-92-E7015	O-Ring 92X2.5 EPDM (Chamber Seal)	1
11	MTK09-IMPH	Impeller Housing Assembly	1
12	MTK09-STR	Strainer	1
13	MTK09-SEAL-RT	Seal Retainer	1
14	OPMN-97-E7015	O-Ring 97.5X5.2 EPDM (Bottom Plate Seal)	1
15	PMN09-BPL-B	Bottom Plate, Brass	1
16	37N75WSHS	Washer Flat SS 3/8 x 3/4	6
17	37C112HCSS	Bolt Hex Cap SS 3/8-16 x 1.125	6

ZENNER Multi-jet Reclaimed Cold Water Meters

Parts List for Model PMNR09 (Newer MTK Version)

Size: 1-1/2" with two-bolt oval flanged ends

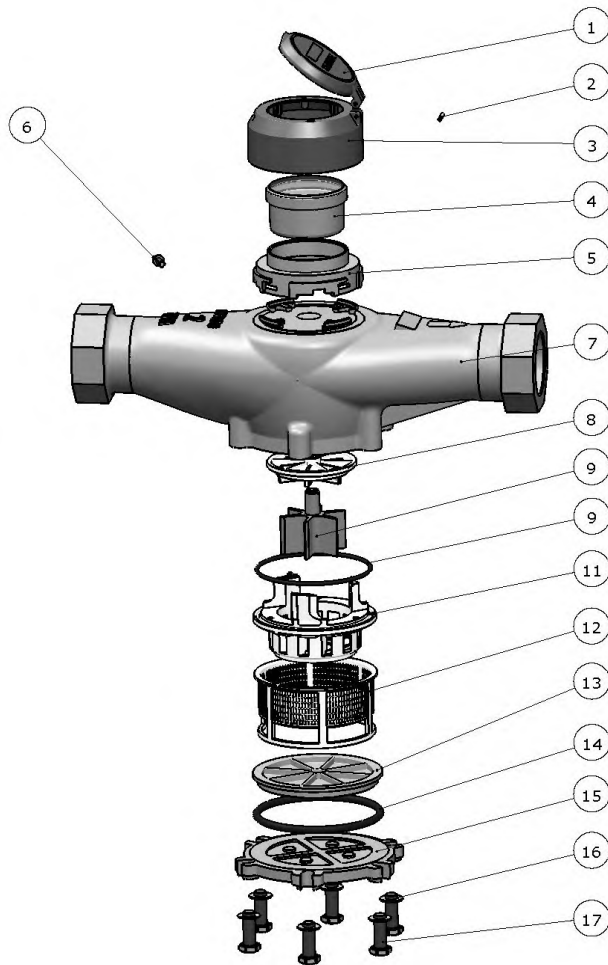


ITEM	PART NUMBER	DESCRIPTION	QTY
1-B	PM-RCVR-XB	Register Cover, Brass	1
1-P	ZM-RCVR-XP-PUR	Register Cover, Plastic, Purple	1
1-BE	ZM-RCVR-EB	Register Cover, Brass, ETRU	1
1-PE	ZP-RCVR-EP-PUR	Register Cover, Plastic, ETRU, Purple	1
2-B	PINDOBR-098-100	Register Cover Hinge Pin (for brass)	1
2-P	ZM-RCVR-PIN	Register Cover Hinge Pin (for plastic)	1
3-B	ZM-SHR-B	Register Shroud, Brass	1
3-P	ZM-SHR-P-PUR	Register Shroud, Plastic, Purple	1
4-CF	MTKR09-REG-CF	Register, 1-1/2" PMNR, Cubic Feet	1
4-CM	MTKR09-REG-CM	Register, 1-1/2" PMNR, Cubic Meters	1
4-US	MTKR09-REG-US	Register, 1-1/2" PMNR, U.S.Gallons	1
5	MTK-RR-SHR	Shroud Retaining Ring	1
6	.05C12CPSS-T	Tamper Screw Skt Pan M5-0.8 X 12	1
7-09	MTK09-HSG	Housing, 1-1/2", Flanged, 13" LL	1
8 - 14	MTK09-CHA	Chamber Assembly Complete, For 1-1/2" and 2" (Items 8 thru 14)	1
9	MTK09-IMP	Impeller Assembly	1
10	OPMN-92-E7015	O-Ring 92X2.5 EPDM (Chamber Seal)	1
11	MTK09-IMPH	Impeller Housing Assembly	1
12	MTK09-STR	Strainer	1
13	MTK09-SEAL-RT	Seal Retainer	1
14	OPMN-97-E7015	O-Ring 97.5X5.2 EPDM (Bottom Plate Seal)	1
15	PMN09-BPL-B	Bottom Plate, Brass	1
16	37N75WSHS	Washer Flat SS 3/8 x 3/4	6
17	37C112HCSS	Bolt Hex Cap SS 3/8-16 x 1.125	6
18	B-CSP05	Test Port Plug, 1" MIP, Brass	1

ZENNER Multi-jet Reclaimed Cold Water Meters

Parts List for Models PMNR11 and PMNR11M (Newer MTK Version)

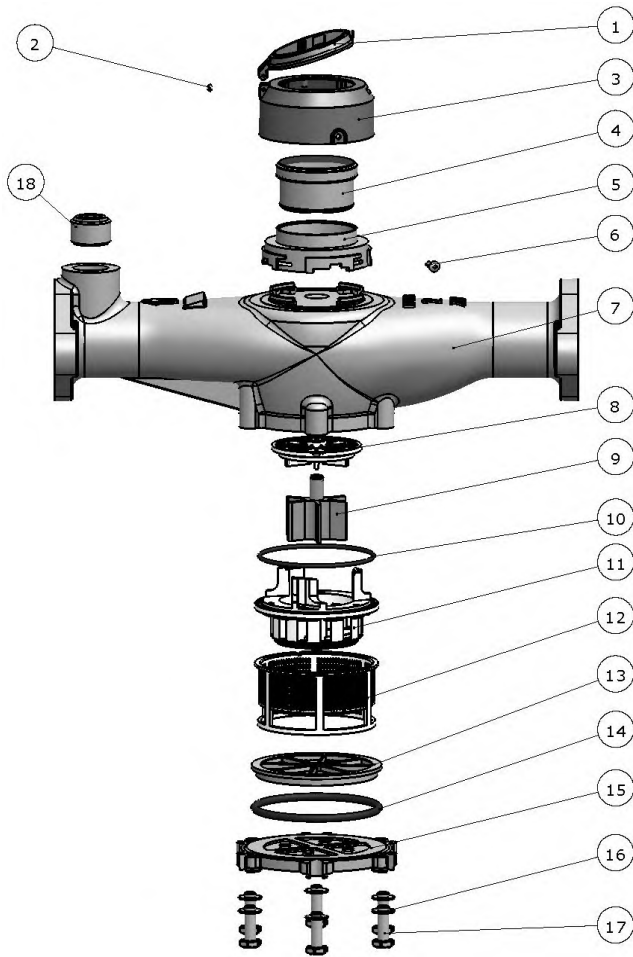
Size: 2" with threaded ends



ITEM	PART NUMBER	DESCRIPTION	QTY
1-B	PM-RCVR-XB	Register Cover, Brass	1
1-P	ZM-RCVR-XP-PUR	Register Cover, Plastic, Purple	1
1-BE	ZM-RCVR-EB	Register Cover, Brass, ETRU	1
1-PE	ZP-RCVR-EP-PUR	Register Cover, Plastic, ETRU, Purple	1
2-B	PINDOBR-098-100	Register Cover Hinge Pin (for brass)	1
2-P	ZM-RCVR-PIN	Register Cover Hinge Pin (for plastic)	1
3-B	ZM-SHR-B	Register Shroud, Brass	1
3-P	ZM-SHR-P-PUR	Register Shroud, Plastic, Purple	1
4-CF	MTKR12-REG-CF	Register, 2" PMNR, Cubic Feet	1
4-CM	MTKR12-REG-CM	Register, 2" PMNR, Cubic Meters	1
4-US	MTKR12-REG-US	Register, 2" PMNR, U.S.Gallons	1
5	MTK-RR-SHR	Shroud Retaining Ring	1
6	.05C12CPSS-T	Tamper Screw Skt Pan M5-0.8 X 12	1
7-11	MTK11-HSG	Housing, 2", 2"FIPT Threads	1
7-11M	MTK11M-HSG	Housing, 2", Male Threads	1
8 - 14	MTK09-CHA	Chamber Assembly Complete, For 1-1/2" and 2" (Items 8 thru 14)	1
9	MTK09-IMP	Impeller Assembly	1
10	OPMN-92-E7015	O-Ring 92X2.5 EPDM (Chamber Seal)	1
11	MTK09-IMPH	Impeller Housing Assembly	1
12	MTK09-STR	Strainer	1
13	MTK09-SEAL-RT	Seal Retainer	1
14	OPMN-97-E7015	O-Ring 97.5X5.2 EPDM (Bottom Plate Seal)	1
15	PMN09-BPL-B	Bottom Plate, Brass	1
16	37N75WSHS	Washer Flat SS 3/8 x 3/4	6
17	37C112HCSS	Bolt Hex Cap SS 3/8-16 x 1.125	6

ZENNER Multi-jet Reclaimed Cold Water Meters

Parts List for Models PMNR10 and PMNR12 (Newer MTK Version)
Size: 2" with two-bolt oval flanged ends



ITEM	PART NUMBER	DESCRIPTION	QTY
1-B	PM-RCVR-XB	Register Cover, Brass	1
1-P	ZM-RCVR-XP-PUR	Register Cover, Plastic, Purple	1
1-BE	ZM-RCVR-EB	Register Cover, Brass, ETRU	1
1-PE	ZP-RCVR-EP-PUR	Register Cover, Plastic, ETRU, Purple	1
2-B	PINDOBR-098-100	Register Cover Hinge Pin (for brass)	1
2-P	ZM-RCVR-PIN	Register Cover Hinge Pin (for plastic)	1
3-B	ZM-SHR-B	Register Shroud, Brass	1
3-P	ZM-SHR-P-PUR	Register Shroud, Plastic, Purple	1
4-CF	MTKR12-REG-CF	Register, 2" PMNR, Cubic Feet	1
4-CM	MTKR12-REG-CM	Register, 2" PMNR, Cubic Meters	1
4-US	MTKR12-REG-US	Register, 2" PMNR, U.S.Gallons	1
5	MTK-RR-SHR	Shroud Retaining Ring	1
6	.05C12CPSS-T	Tamper Screw Skt Pan M5-0.8 X 12	1
7-10	MTK10-HSG	Housing, 2", Flanged, 10" LL	1
7-12	MTK12-HSG	Housing, 2", Flanged, 17" LL	1
8 - 14	MTK09-CHA	Chamber Assembly Complete, For 1-1/2" and 2" (Items 8 thru 14)	1
9	MTK09-IMP	Impeller Assembly	1
10	OPMN-92-E7015	O-Ring 92X2.5 EPDM (Chamber Seal)	1
11	MTK09-IMPH	Impeller Housing Assembly	1
12	MTK09-STR	Strainer	1
13	MTK09-SEAL-RT	Seal Retainer	1
14	OPMN-97-E7015	O-Ring 97.5X5.2 EPDM (Bottom Plate Seal)	1
15	PMN09-BPL-B	Bottom Plate, Brass	1
16	37N75WSHS	Washer Flat SS 3/8 x 3/4	6
17	37C112HCSS	Bolt Hex Cap SS 3/8-16 x 1.125	6
18	B-CSP05	Test Port Plug, 1" MIP, Brass	1