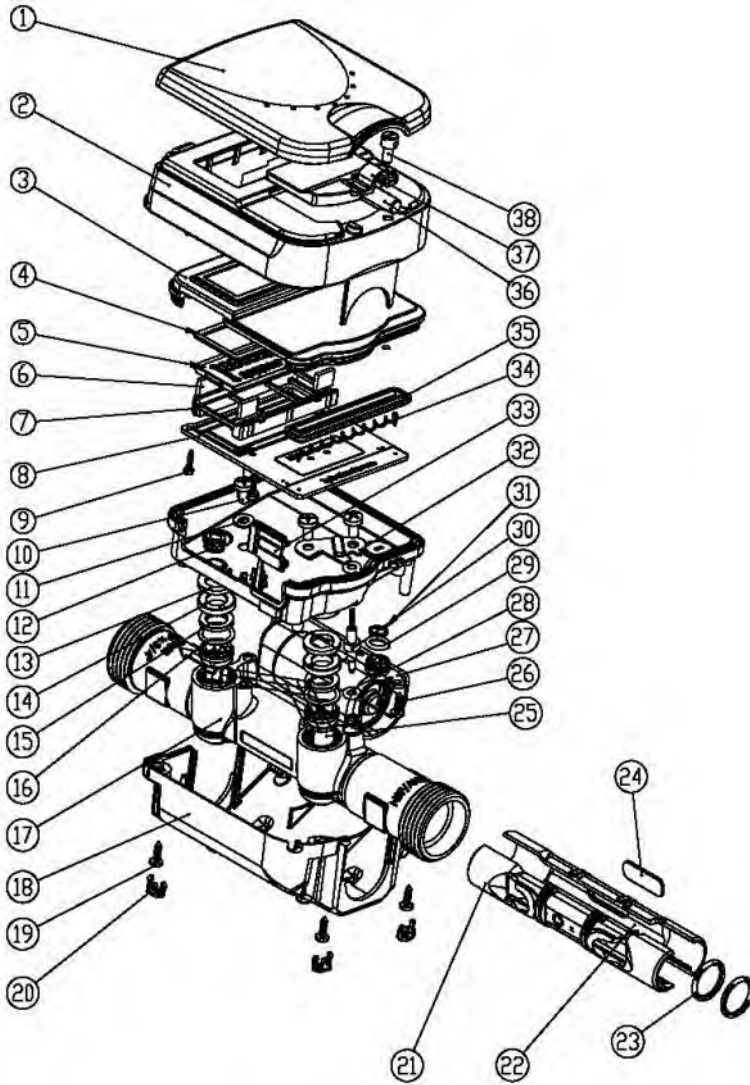


ZENNER Stealth Ultrasonic Residential Meters

Parts List for Models ZSUR01 (5/8X1/2), ZSRU02 (5/8X3/4), ZSUR03 (3/4"SL), ZSUR07 (1") and ZSUR09 (1-1/2")



| ITEM | P/N | DESCRIPTION | QTY |
|------|--------|----------------------------------|-----|
| 1A | 159120 | Housing Lid for 5/8" through 1" | 1 |
| 1B | 165299 | Housing Lid for 1-1/2" | 1 |
| 2A | 158331 | Housing Top for 5/8", 1/2", 3/4" | 1 |
| 2B | 162949 | Housing Top for 1" | 1 |
| 2C | 165295 | Housing Top for 1-1/2" | 1 |
| 3 | | PCB Case Bottom | 1 |
| 4 | | LCD Sealing | 1 |
| 5 | | LCD | 1 |
| 6 | | Conductive Rubber | 3 |
| 7 | | Conductive Rubber Bracket | 1 |
| 8 | | PCB | 1 |
| 9 | | Screw 2.2x9.5 | 4 |
| 10 | | Screw M4x8 | 4 |
| 11 | | Washer M4 | 2 |
| 12 | | Cable Grommet | 1 |
| 13 | | Washer 16x10x2 | 2 |
| 14 | | Nut M16x1 | 2 |
| 15 | | Distance Ring | 2 |
| 16 | | O-Ring 12.2x1.7 | 2 |
| 17 | | Brass Body | 1 |
| 18A | 165965 | Housing Bottom 1/2" | 1 |
| 18B | 159121 | Housing Bottom 5/8" and 3/4" | 1 |
| 18C | 162878 | Housing Bottom 1" | 1 |
| 18D | 165296 | Housing Bottom 1-1/2" | 1 |
| 19 | 167486 | Screw 2.9x13 | 4 |
| 20 | 161622 | Tamper Seal, Plastic | 4 |
| 21 | | Pipe left | 1 |
| 22 | | Pipe right | 1 |
| 23 | | O-Ring 15x2 | 2 |
| 24 | | Reflector wall | 1 |
| 25 | | Transducer component | 1 |
| 26 | 114280 | Screw 2.9x9.5 | 2 |
| 27 | 168504 | Batter Assembly Potted | 1 |
| 28 | | O-Ring 3.8x2 | 1 |
| 29 | 159352 | O-Ring 7x1.8 | 1 |
| 30 | | Temperature sensor | 2 |
| 31 | 169351 | Sealing for battery | 1 |
| 32 | | Steel plate | 1 |
| 33 | | Sealing for software | 1 |
| 34 | | Antenna | 1 |
| 35 | | Sealing Antenna | 1 |
| 36 | 161211 | Coupler Protection Cover ZSUR | 1 |
| 37 | 167003 | Cable Clamp, Plastic | 1 |
| 38 | 169876 | Screw M4x8 DIN7984 with hole | 1 |