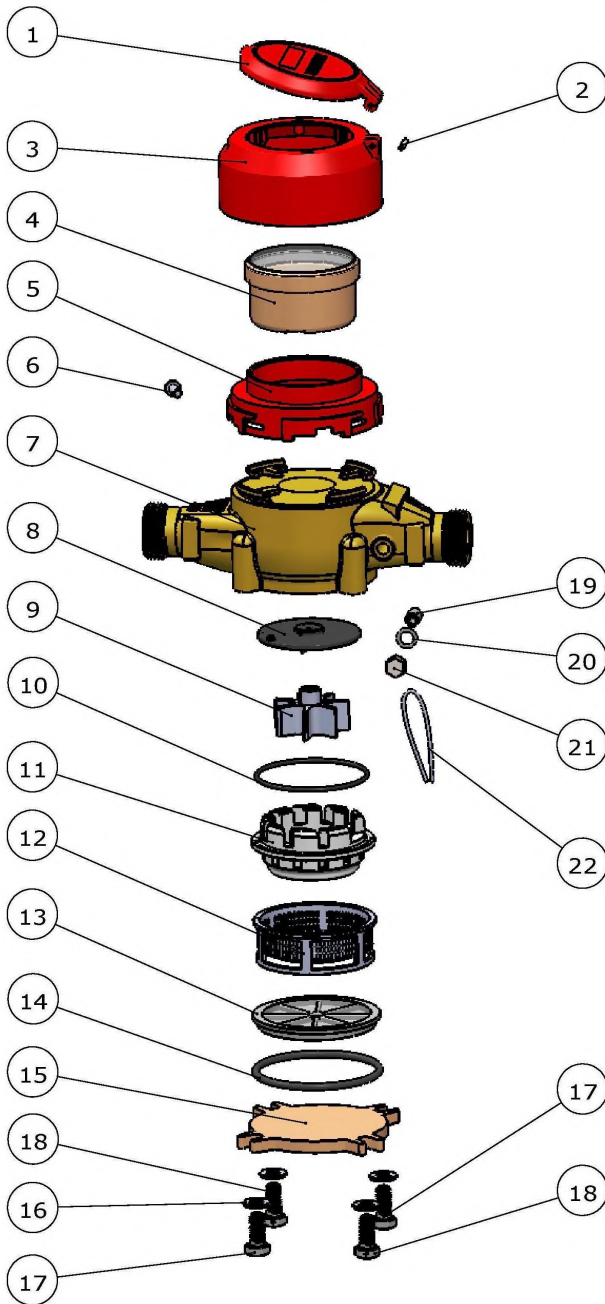


ZENNER Nitro I Multi-jet Type Hot Water Meters

Parts List for Models PMNH01 and PMNH02

Sizes: 5/8X1/2, 5/8X3/4

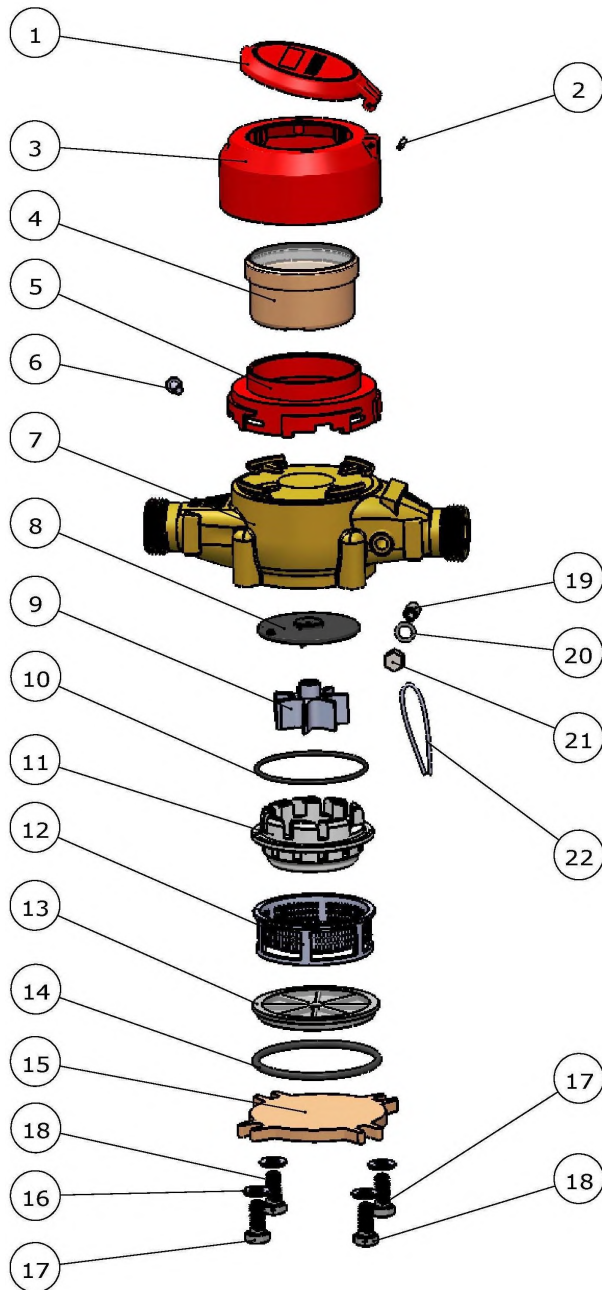


ITEM	PART NUMBER	DESCRIPTION	QTY
1-B	PM-RCVR-XB	Register Cover, Brass	1
1-P	155010	Register Cover, Plastic, Red	1
1-BE	ZM-RCVR-EB	Register Cover, Brass, ETRU	1
1-PE	149788	Register Cover, Plastic, ETRU, Red	1
2-B	PINDOBR-098-100	Register Cover Hinge Pin (for brass)	1
2-P	ZM-RCVR-PIN	Register Cover Hinge Pin (for plastic)	1
3-B	ZM-SHR-B	Register Shroud, Brass	1
3-P	ZM-SHR-P-RED	Register Shroud, Plastic, Red	1
4-CF	MTKH02-REG-CF	Register, 5/8" PMNH, Cubic Feet	1
4-CM	MTKH02-REG-CM	Register, 5/8 PMNH, Cubic Meters	1
4-US	MTKH02-REG-US	Register, 5/8" PMNH, U.S. Gallons	1
5	MTK-RR-SHR	Shroud Retaining Ring	1
6	.05C12CPSS-T	Tamper Screw Skt Pan M5-0.8 X 12	1
7-01B	MTK01B-HSG	Housing, 5/8 X 1/2, with Bypass	1
7-02B	MTK02B-HSG	Housing, 5/8 X 3/4, with Bypass	1
8 - 14	MTKH02-CHA	Chamber Assembly Complete, 5/8" (Items 8 thru 14)	1
9	MTKH02-IMP	Impeller Assembly	1
10	OPMN-63-E7015	O-Ring 63X2 EPDM (Chamber Seal)	1
11	MTKH02-IMPH	Impeller Housing Assembly	1
12	MTKH02-STR	Strainer	1
13	MTKH02-SEAL-RT	Seal Retainer	1
14	OPMN-68-E7015	O-Ring 68X3.5 EPDM (Bottom Plate Seal)	1
15-B	MTK02-BPL-B	Bottom Plate, Brass	1
15-C	MTK02-BPL-C	Bottom Plate, Cast Iron Epoxy Coated	1
16	31N62WSHS	Washer Flat SS 5/16 x 5/8	4
17	31C75HCSS	Bolt Hex Cap SS 5/16-18 x .75	2
18	31C75HCSS-DH	Bolt Hex Cap SS 5/16-18 x .75, Drilled Hole	2
19	152887	Screw, Regulating, M8x1x11.7	1
20	110487	Washer M8	1
21	136400	Bolt, Hex, SS, M8, Drilled Hole	1
22	002-6330	Tamper Seal Wire	1

ZENNER Nitro I Multi-jet Type Hot Water Meters

Parts List for Model PMNH03

Size: 3/4"SL

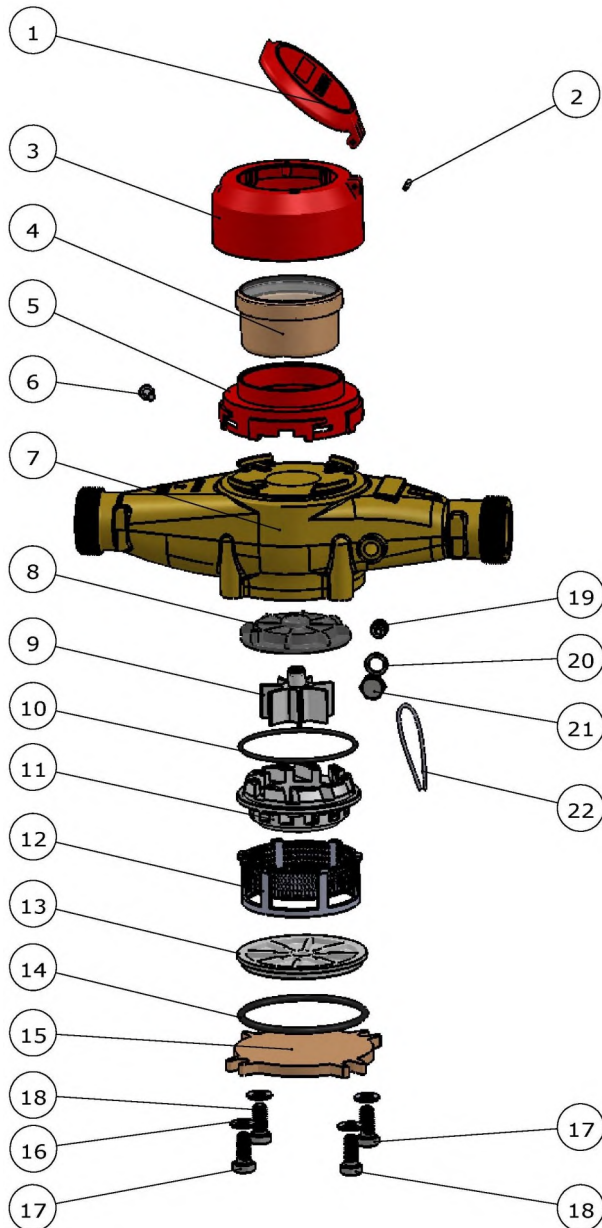


ITEM	PART NUMBER	DESCRIPTION	QTY
1-B	PM-RCVR-XB	Register Cover, Brass	1
1-P	155010	Register Cover, Plastic, Red	1
1-BE	ZM-RCVR-EB	Register Cover, Brass, ETRU	1
1-PE	149788	Register Cover, Plastic, ETRU, Red	1
2-B	PINDOBR-098-100	Register Cover Hinge Pin (for brass)	1
2-P	ZM-RCVR-PIN	Register Cover Hinge Pin (for plastic)	1
3-B	ZM-SHR-B	Register Shroud, Brass	1
3-P	ZM-SHR-P-RED	Register Shroud, Plastic, Red	1
4-CF	MTKH03-REG-CF	Register, 3/4" PMNH, Cubic Feet	1
4-CM	MTKH03-REG-CM	Register, 3/4" PMNH, Cubic Meters	1
4-US	MTKH03-REG-US	Register, 3/4" PMNH, U.S. Gallons	1
5	MTK-RR-SHR	Shroud Retaining Ring	1
6	.05C12CPSS-T	Tamper Screw Skt Pan M5-0.8 X 12	1
7	MTK03B-HSG	Housing, 3/4"SL, with Bypass	1
8 - 14	MTK03-CHA	Chamber Assembly Complete, 3/4" (Items 8 thru 14)	1
9	MTKH02-IMP	Impeller Assembly	1
10	OPMN-63-E7015	O-Ring 63X2 EPDM (Chamber Seal)	1
11	MTKH03-IMPH	Impeller Housing Assembly	1
12	MTKH02-STR	Strainer	1
13	MTKH02-SEAL-RT	Seal Retainer	1
14	OPMN-68-E7015	O-Ring 68X3.5 EPDM (Bottom Plate Seal)	1
15-B	MTK02-BPL-B	Bottom Plate, Brass	1
15-C	MTK02-BPL-C	Bottom Plate, Cast Iron	1
16	31N62WSHS	Washer Flat SS 5/16 x 5/8	4
17	31C75HCSS	Bolt Hex Cap SS 5/16-18 x .75	2
18	31C75HCSS-DH	Bolt Hex Cap SS 5/16-18 x .75, Drilled Hole	2
19	152887	Screw, Regulating, M8x11x1.7	1
20	110487	Washer M8	1
21	136400	Bolt, Hex, SS, M8, Drilled Hole	1
22	002-6330	Tamper Seal Wire	1

ZENNER Nitro I Multi-jet Type Hot Water Meters

Parts List for Model PMNH07

Size: 1"



ITEM	PART NUMBER	DESCRIPTION	QTY
1-B	PM-RCVR-XB	Register Cover, Brass	1
1-P	155010	Register Cover, Plastic, Red	1
1-BE	ZM-RCVR-EB	Register Cover, Brass, ETRU	1
1-PE	149788	Register Cover, Plastic, ETRU, Red	1
2-B	PINDOBR-098-100	Register Cover Hinge Pin (for brass)	1
2-P	ZM-RCVR-PIN	Register Cover Hinge Pin (for plastic)	1
3-B	ZM-SHR-B	Register Shroud, Brass	1
3-P	ZM-SHR-P-RED	Register Shroud, Plastic, Red	1
4-CF	MTKH07-REG-CF	Register, 1" PMNH, Cubic Feet	1
4-CM	MTKH07-REG-CM	Register, 1" PMNH, Cubic Meters	1
4-US	MTKH07-REG-US	Register, 1" PMNH, U.S. Gallons	1
5	MTK-RR-SHR	Shroud Retaining Ring	1
6	.05C12CPSS-T	Tamper Screw Skt Pan M5-0.8 X 12	1
7	MTK07B-HSG	Housing, 1", with Bypass	1
8 - 14	MTKH07-CHA	Chamber Assembly Complete, 1" (Items 8 thru 14)	1
9	MTKH07-IMP	Impeller Assembly	1
10	OPMN-63-E7015	O-Ring 71X2 EPDM (Chamber Seal)	1
11	MTKH07-IMPH	Impeller Housing Assembly	1
12	MTKH07-STR	Strainer	1
13	MTKH07-SEAL-RT	Seal Retainer	1
14	OPMN-75-E7015	O-Ring 75X3.55 EPDM (Bottom Plate Seal)	1
15-B	MTK07-BPL-B	Bottom Plate, Brass	1
15-C	MTK07-BPL-C	Bottom Plate, Cast Iron	1
16	31N62WSHS	Washer Flat SS 5/16 x 5/8	4
17	31C75HCSS	Bolt Hex Cap SS 5/16-18 x .75	2
18	31C75HCSS-DH	Bolt Hex Cap SS 5/16-18 x .75, Drilled Hole	2
19	152886	Screw, Regulating, M10x1x11.6	1
20	110382	Washer M10	1
21	137141	Bolt, Hex, SS, M10, Drilled Hole	1
22	002-6330	Tamper Seal Wire	1