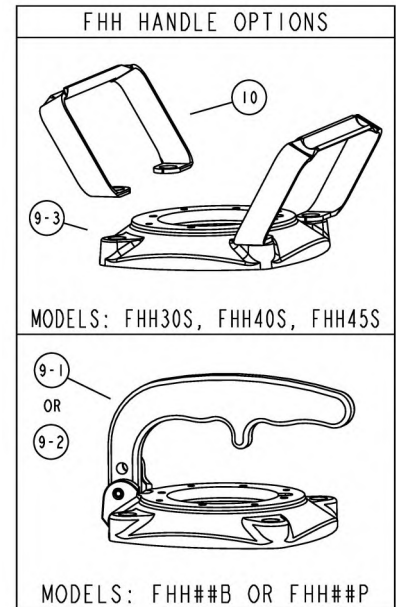
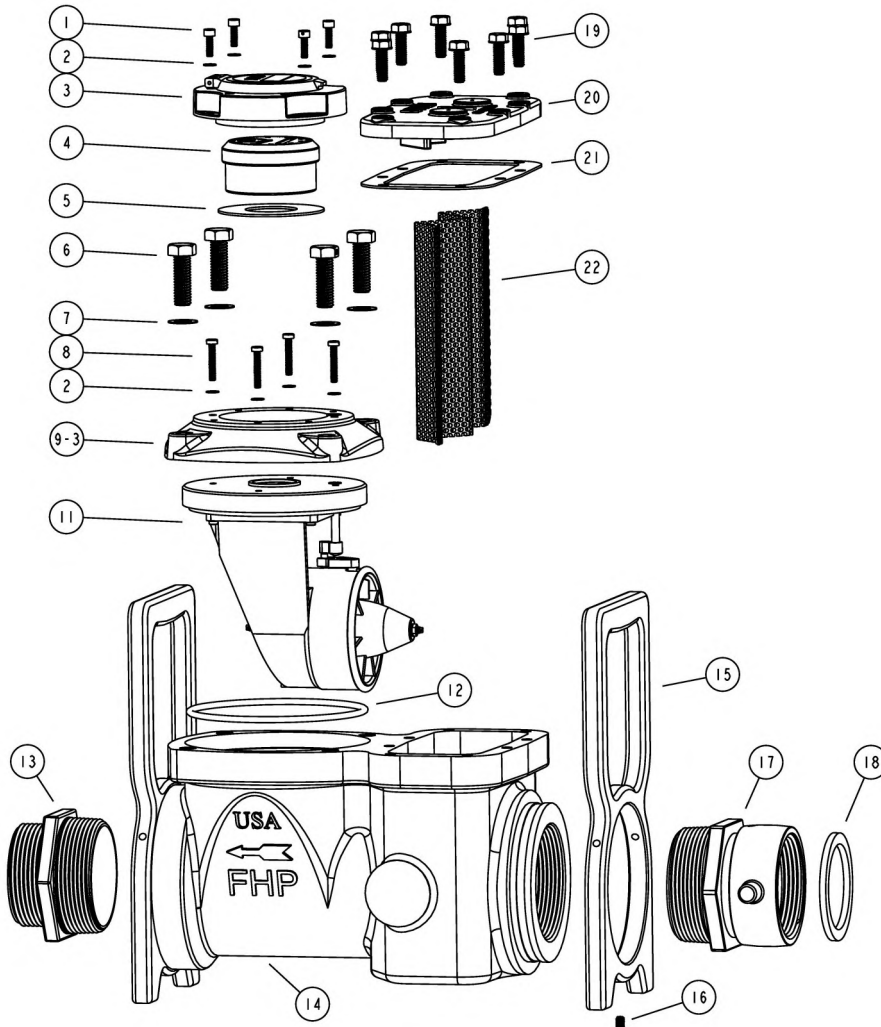


ZENNER High Flow Hydrant Meters

Parts List for Models FHH30, FHH40, FHH45 (Size 4")

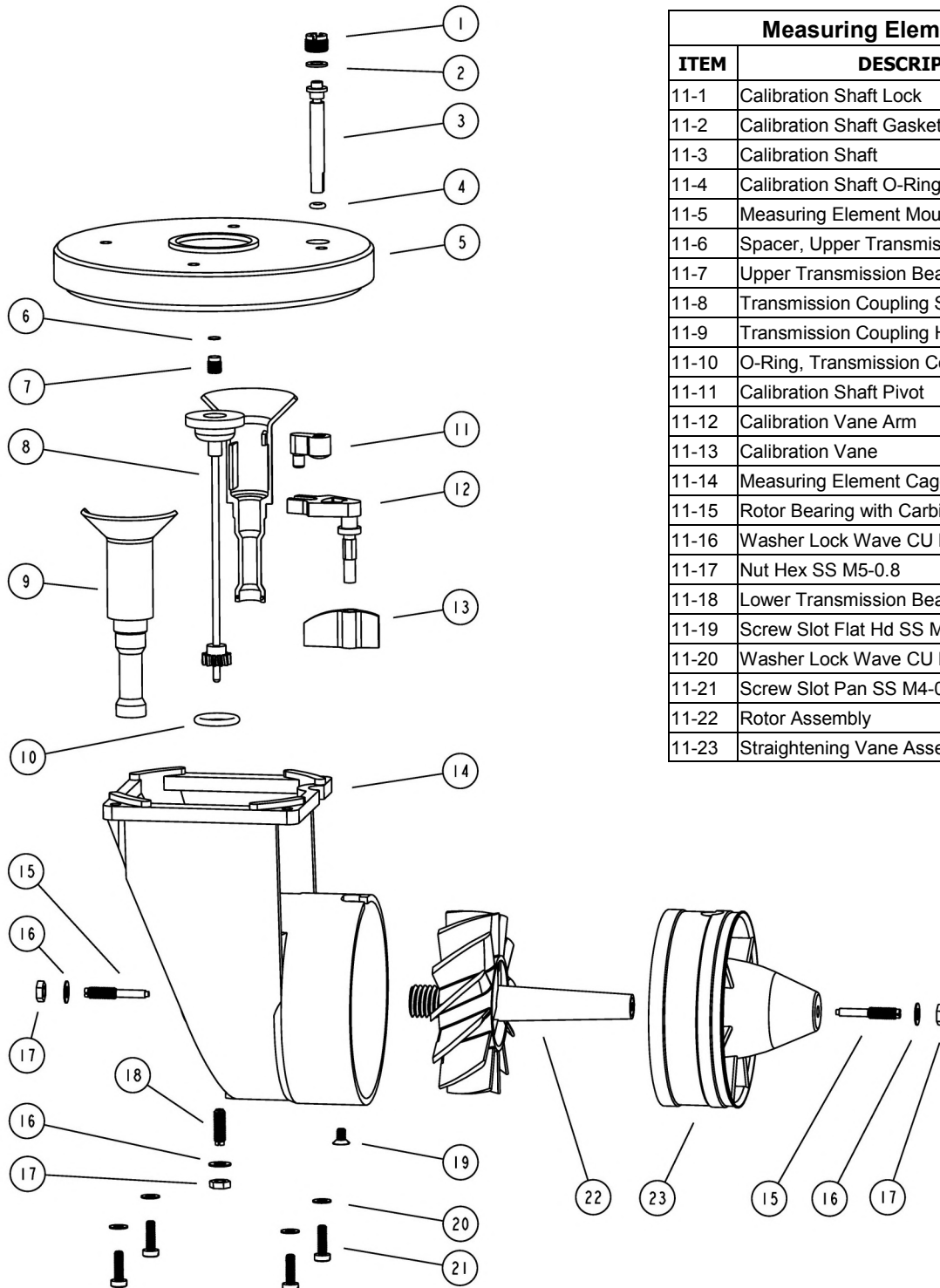
ITEM	PART NUMBER	DESCRIPTION	QTY
1A	.05C10CCSS	Screw Skt Cap SS M5-0.8 x 10	3
1B	.05C10CCSS-DH	Screw Skt Cap SS M5-0.8 x 10, D.H.	1
2	.05N10WLWC	Washer Lock Wave CU M5 x 10	8
3	PMT-CVRA-B	Cover Retaining Ring and Lid, Brass	1
4-CF	PMT04-REG-CF	Register, 4" Turbine, Cubic Feet	1
4-CM	PMT04-REG-CM	Register, 4" Turbine, Cubic Meters	1
4-US	PMT04-REG-US	Register, 4" Turbine, U.S.Gallon	1
5	PMT-MBR	Magnet Barrier Ring	1
6A	50C175HCSS	Bolt Hex Cap SS 1/2-13 x 1.75	3
6B	50C175HCSS-DH	Bolt Hex Cap SS 1/2-13 x 1.75, D.H.	1
7	AN960-C816L	Washer Flat SS .515 ID x .875 OD	4
8	.05C30MSPS	Screw Slot Pan SS M5-0.8 x 28	4
9-1	FHM-CVRPL-SB	Cover Plate Assy, Barrel Lock	1
9-2	FHM-CVRPL-SP	Cover Plate Assy, Padlock	1
9-3	FHM-CVRPL	Cover Plate, Flat	1
10	FHM-HNDL-DS	FHM Double Handle, SS	2
11	PMT03-MEA	Turbine Meter Measuring Element	1
12	PMT03-ORING-ME	O-Ring for Measuring Element	1

ITEM	PART NUMBER	DESCRIPTION	QTY
13-1	NP2530B	Nipple 2.5"MNST x 3"MIP, Brass	1
13-2	NP4040A	Nipple 4"MNST x 4"MIP, Aluminum	1
13-3	NP4540A	Nipple 4.5"MNST x 4"MIP, Aluminum	1
14-1	FHP-HSG-3030B	FHP Housing, 3"FIP X 3"FIP w/4" Bore	1
14-2	FHP-HSG-4040B	FHP Housing, 4"FIP X 4"FIP w/4" Bore	1
15	FHP-HNDL-DA	FHP Handle, Aluminum (FHH30 Only)	2
16	25C37CSCS	Screw Set Socket SS 1/4-20 x 3/8	6
17-1	SW2530B	Swivel 2.5"FNST x 3"MIP, Brass	1
17-2	SW4040A	Swivel 4"FNST x 4"MIP, Aluminum	1
17-3	SW4540A	Swivel 4.5"FNST x 4"MIP, Aluminum	1
18-1	SWGA25-187	Gasket for 2.5" FHM Swivel	1
18-2	SWGA40	Gasket for 4" FHM Swivel	1
18-3	SWGA45	Gasket for 4.5" FHM Swivel	1
19	31C100MUWS	Bolt Hex Washer Head SS 5/16-18 x 1	8
20	FHP-STRCVR	FHP Strainer Cover, Aluminum	1
21	FHP-STR-GSKT	FHP Strainer Gasket	1
22	FHP-STR-SCR	FHP Strainer Screen, SS	1



ZENNER High Flow Hydrant Meters

Parts List for Models FHH30, FHH40, FHH45 (Size 4")



Measuring Element Parts List		
ITEM	DESCRIPTION	QTY
11-1	Calibration Shaft Lock	1
11-2	Calibration Shaft Gasket	1
11-3	Calibration Shaft	1
11-4	Calibration Shaft O-Ring	1
11-5	Measuring Element Mounting Plate	1
11-6	Spacer, Upper Transmission Bearing	1
11-7	Upper Transmission Bearing w/Jewel	1
11-8	Transmission Coupling Shaft Assy	1
11-9	Transmission Coupling Housing	2
11-10	O-Ring, Transmission Coupling Housing	1
11-11	Calibration Shaft Pivot	1
11-12	Calibration Vane Arm	1
11-13	Calibration Vane	1
11-14	Measuring Element Cage Assembly	1
11-15	Rotor Bearing with Carbide Tip	2
11-16	Washer Lock Wave CU M5 x 10	3
11-17	Nut Hex SS M5-0.8	3
11-18	Lower Transmission Bearing w/Jewel	1
11-19	Screw Slot Flat Hd SS M4-0.7 x 6	1
11-20	Washer Lock Wave CU M4 x 8	4
11-21	Screw Slot Pan SS M4-0.7 x 12	4
11-22	Rotor Assembly	1
11-23	Straightening Vane Assembly	1