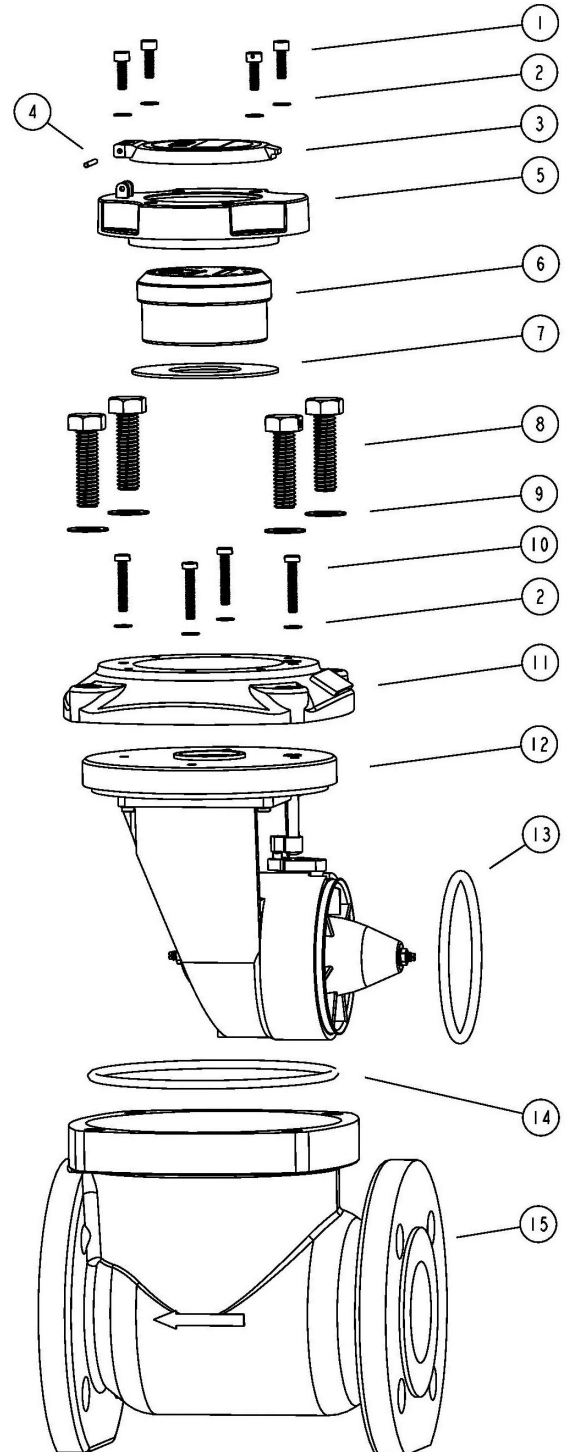


## ZENNER Cast Iron Turbine Meters

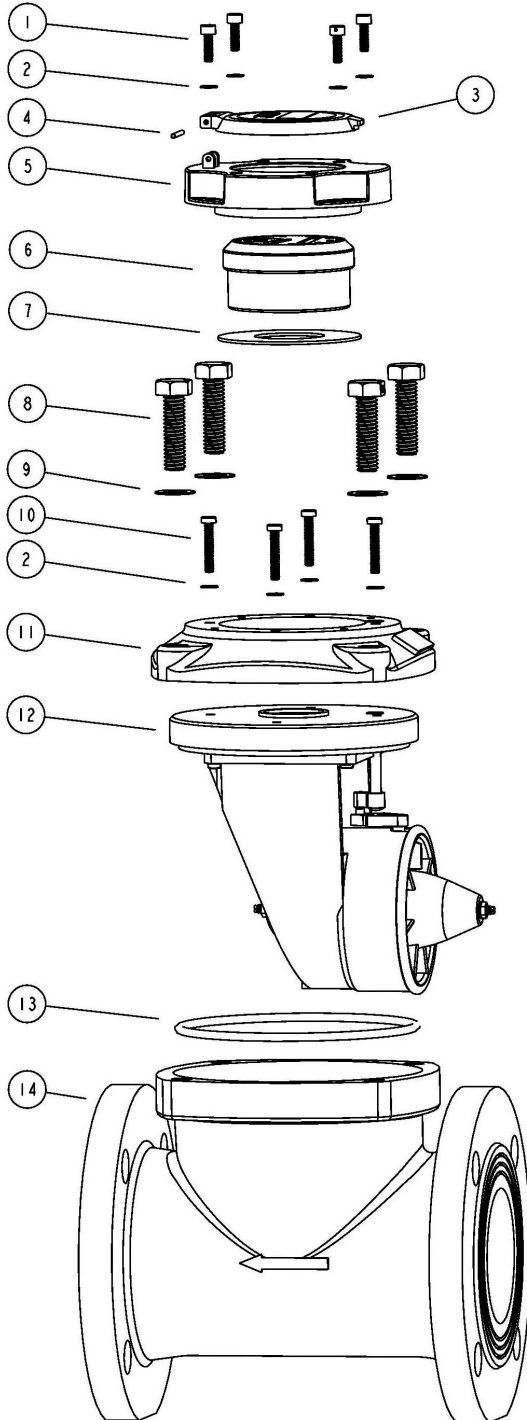
### Parts List for Model PMT02 (Size 2")

ITEM	PART NUMBER	DESCRIPTION	QTY
1A	.05C10CCSS	Screw Skt Cap SS M5-0.8 x 10	3
1B	.05C10CCSS-DH	Screw Skt Cap SS M5-0.8 x 10, DH	1
2	.05N10WLWC	Washer Lock Wave CU M5 x 10	8
3/4/5	PMT-CVRA-B	Cover Retaining Ring and Lid, Brass	1
3	PM-RCVR-XB	Register Cover, Brass	1
4	PINDOBR-098-100	Register Cover Hinge Pin	1
5	PMT-RRR	PMT Register Retaining Ring	1
6-CF	PMT02-REG-CF	Register, 2" Turbine, Cubic Feet	1
6-CM	PMT02-REG-CM	Register, 2" Turbine, Cubic Meters	1
6-US	PMT02-REG-US	Register, 2" Turbine, U.S.Gallon	1
7	PMT-MBR	Magnet Barrier Ring	1
8A	.12C45HCSS	Bolt Hex Cap SS M12-1.75 x 45	3
8B	.12C45HCSS-DH	Bolt Hex Cap SS M12-1.75 x 45, DH	1
9	.12N20WSHS	Washer Flat SS M12 x 20 OD	4
10	.05C30MSPS	Screw Slot Pan SS M5-0.8 x 28	4
11	PMT03-CVRPL-B	Cover Plate, Brass	1
12	PMT03-MEA	Turbine Meter Measuring Element, 3"	1
13	PMT03-ORING-ME	O-Ring for Measuring Element	1
14	PMT02-HSG	Housing, 2", Cast Iron	1
	PMT02-UME-**	Complete 2" PMT02 Unitized Measuring Element Assembly, **= US, CF or CM. Includes items 1 thru 7 and 10 thru 13	



## ZENNER Cast Iron Turbine Meters

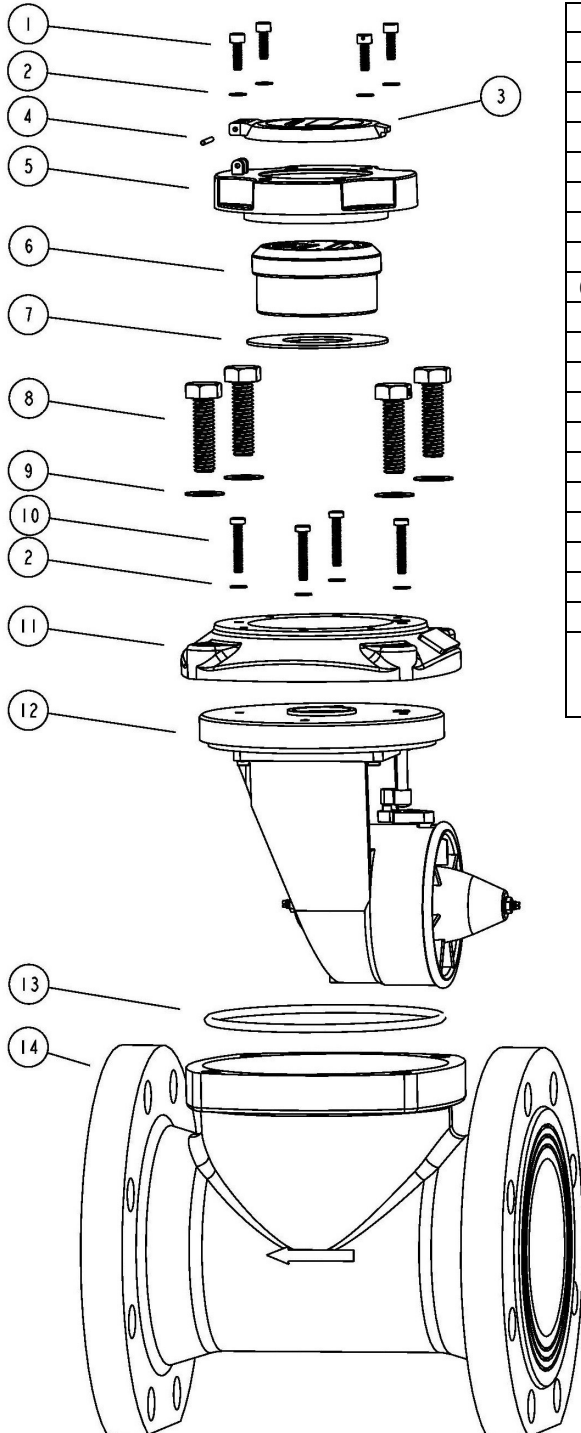
Parts List for Model PMT03 (Size 3")



ITEM	PART NUMBER	DESCRIPTION	QTY
1A	.05C10CCSS	Screw Skt Cap SS M5-0.8 x 10	3
1B	.05C10CCSS-DH	Screw Skt Cap SS M5-0.8 x 10, DH	1
2	.05N10WLWC	Washer Lock Wave CU M5 x 10	8
3/4/5	PMT-CVRA-B	Cover Retaining Ring and Lid, Brass	1
3	PM-RCVR-XB	Register Cover, Brass	1
4	PINDOBR-098-100	Register Cover Hinge Pin	1
5	PMT-RRR	PMT Register Retaining Ring	1
6-CF	PMT03-REG-CF	Register, 3" Turbine, Cubic Feet	1
6-CM	PMT03-REG-CM	Register, 3" Turbine, Cubic Meters	1
6-US	PMT03-REG-US	Register, 3" Turbine, U.S.Gallon	1
7	PMT-MBR	Magnet Barrier Ring	1
8A	.12C45HCSS	Bolt Hex Cap SS M12-1.75 x 45	3
8B	.12C45HCSS-DH	Bolt Hex Cap SS M12-1.75 x 45, DH	1
9	.12N20WSHS	Washer Flat SS M12 x 20 OD	4
10	.05C30MSPS	Screw Slot Pan SS M5-0.8 x 28	4
11	PMT03-CVRPL-B	Cover Plate, Brass	1
12	PMT03-MEA	Turbine Meter Measuring Element, 3"	1
13	PMT03-ORING-ME	O-Ring for Measuring Element	1
14	PMT03-HSG	Housing, 3", Cast Iron	1
	PMT03-UME-**	Complete 3" PMT03 Unitized Measuring Element Assembly, **= US, CF or CM. Includes items 1 thru 7 and 10 thru 13	

## ZENNER Cast Iron Turbine Meters

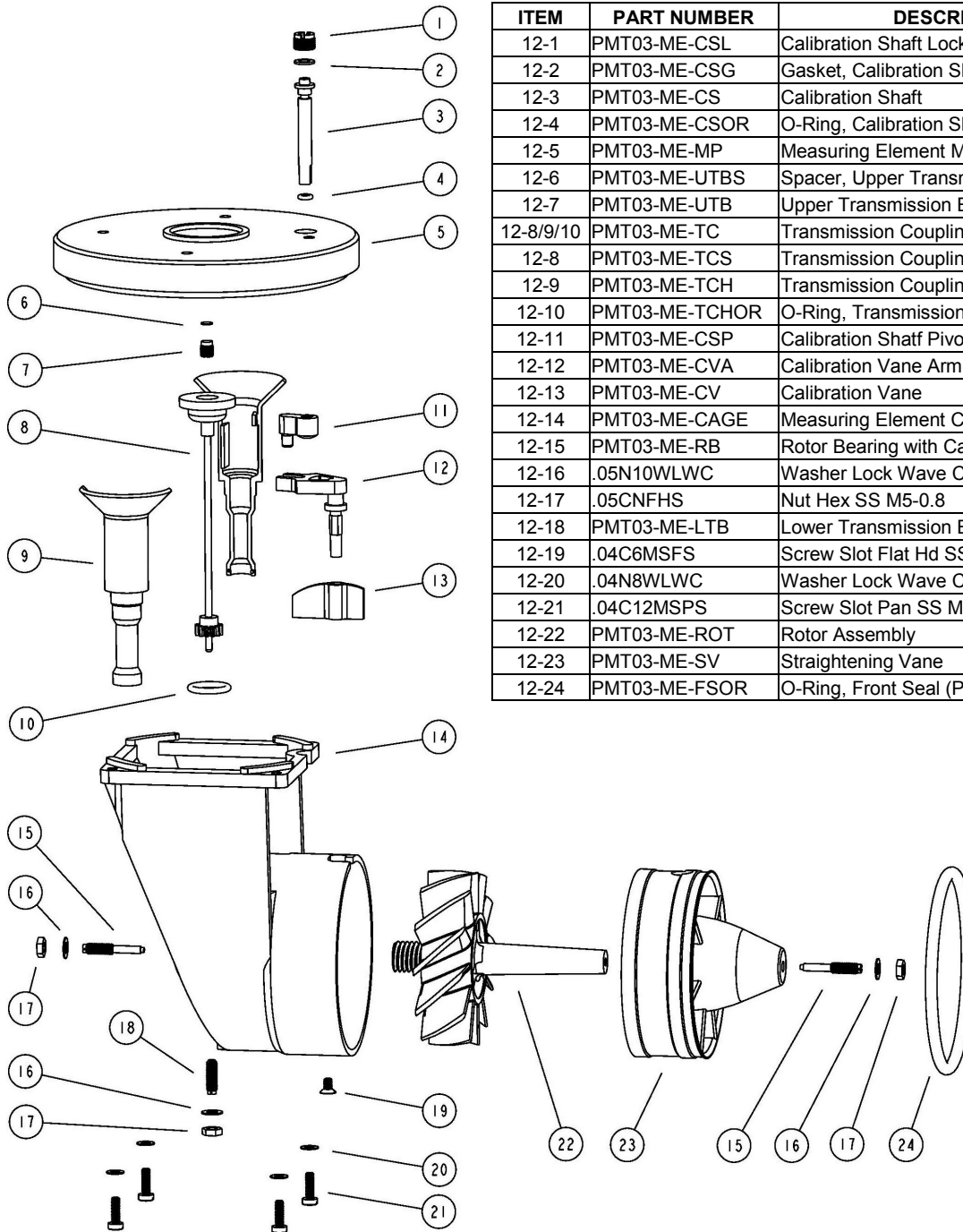
Parts List for Model PMT04 (Size 4")



ITEM	PART NUMBER	DESCRIPTION	QTY
1A	.05C10CCSS	Screw Skt Cap SS M5-0.8 x 10	3
1B	.05C10CCSS-DH	Screw Skt Cap SS M5-0.8 x 10, DH	1
2	.05N10WLWC	Washer Lock Wave CU M5 x 10	8
3/4/5	PMT-CVRA-B	Cover Retaining Ring and Lid, Brass	1
3	PM-RCVR-XB	Register Cover, Brass	1
4	PINDOBR-098-100	Register Cover Hinge Pin	1
5	PMT-RRR	PMT Register Retaining Ring	1
6-CF	PMT04-REG-CF	Register, 4" Turbine, Cubic Feet	1
6-CM	PMT04-REG-CM	Register, 4" Turbine, Cubic Meters	1
6-US	PMT04-REG-US	Register, 4" Turbine, U.S.Gallon	1
7	PMT-MBR	Magnet Barrier Ring	1
8A	.12C45HCSS	Bolt Hex Cap SS M12-1.75 x 45	3
8B	.12C45HCSS-DH	Bolt Hex Cap SS M12-1.75 x 45, DH	1
9	.12N20WSHS	Washer Flat SS M12 x 20 OD	4
10	.05C30MSPS	Screw Slot Pan SS M5-0.8 x 28	4
11	PMT03-CVRPL-B	Cover Plate, Brass	1
12	PMT03-MEA	Turbine Meter Measuring Element, 3"	1
13	PMT03-ORING-ME	O-Ring for Measuring Element	1
14	PMT04-HSG	Housing, 4", Cast Iron	1
	PMT04-UME-**	Complete 4" PMT04 Unitized Measuring Element Assembly, **= US, CF or CM. Includes items 1 thru 7 and 10 thru 13	

## ZENNER Cast Iron Turbine Meters

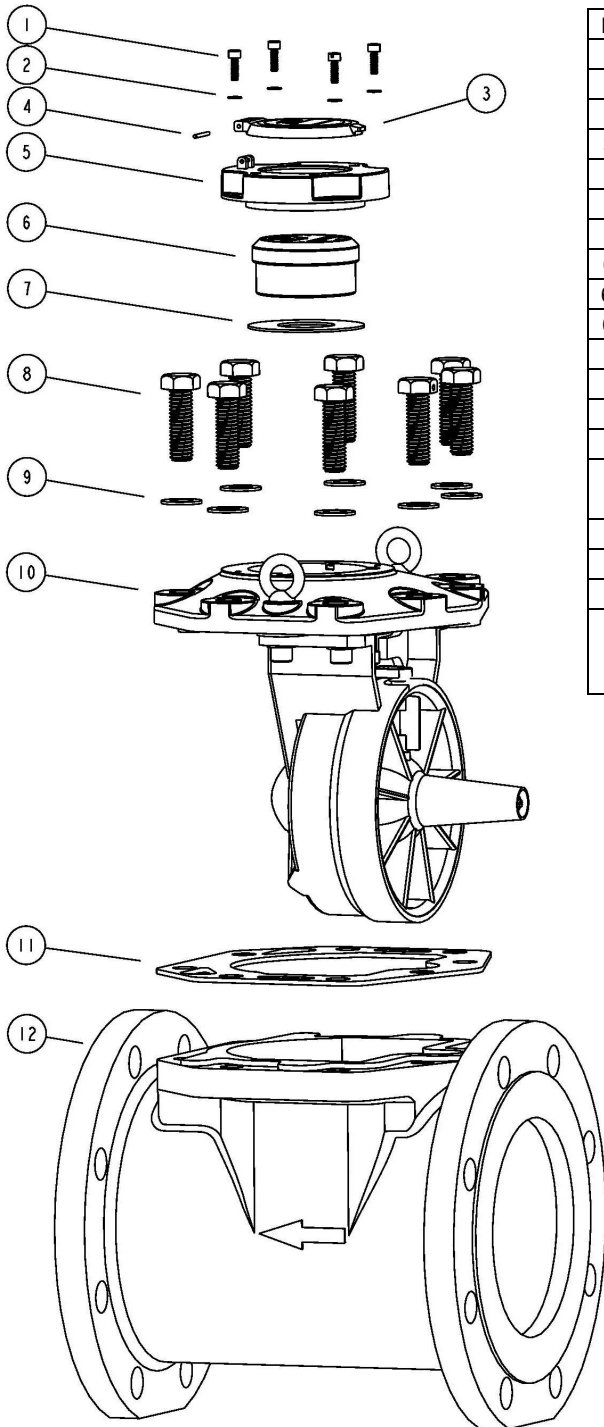
Measuring Element Parts List for Models PMT02, PMT03, PMT04 (Sizes 2", 3", 4")



ITEM	PART NUMBER	DESCRIPTION	QTY
12-1	PMT03-ME-CSL	Calibration Shaft Lock	1
12-2	PMT03-ME-CSG	Gasket, Calibration Shaft Lock	1
12-3	PMT03-ME-CS	Calibration Shaft	1
12-4	PMT03-ME-CSOR	O-Ring, Calibration Shaft	1
12-5	PMT03-ME-MP	Measuring Element Mounting Plate	1
12-6	PMT03-ME-UTBS	Spacer, Upper Transmission Bearing	1
12-7	PMT03-ME-UTB	Upper Transmission Bearing w/ Jewel	1
12-8/9/10	PMT03-ME-TC	Transmission Coupling Assembly	1
12-8	PMT03-ME-TCS	Transmission Coupling Shaft	1
12-9	PMT03-ME-TCH	Transmission Coupling Housing	2
12-10	PMT03-ME-TCHOR	O-Ring, Transmission Coupling Housing	1
12-11	PMT03-ME-CSP	Calibration Shaft Pivot, SS	1
12-12	PMT03-ME-CVA	Calibration Vane Arm, SS	1
12-13	PMT03-ME-CV	Calibration Vane	1
12-14	PMT03-ME-CAGE	Measuring Element Cage	1
12-15	PMT03-ME-RB	Rotor Bearing with Carbide Tip	2
12-16	.05N10WLWC	Washer Lock Wave CU M5 x 10	3
12-17	.05CNFHS	Nut Hex SS M5-0.8	3
12-18	PMT03-ME-LTB	Lower Transmission Bearing w/ Jewel	1
12-19	.04C6MSFS	Screw Slot Flat Hd SS M4-0.7 x 6	1
12-20	.04N8WLWC	Washer Lock Wave CU M4 x 8	4
12-21	.04C12MSPS	Screw Slot Pan SS M4-0.7 x 12	4
12-22	PMT03-ME-ROT	Rotor Assembly	1
12-23	PMT03-ME-SV	Straightening Vane	1
12-24	PMT03-ME-FSOR	O-Ring, Front Seal (PMTB01/02/03 Only)	1

## ZENNER Cast Iron Turbine Meters

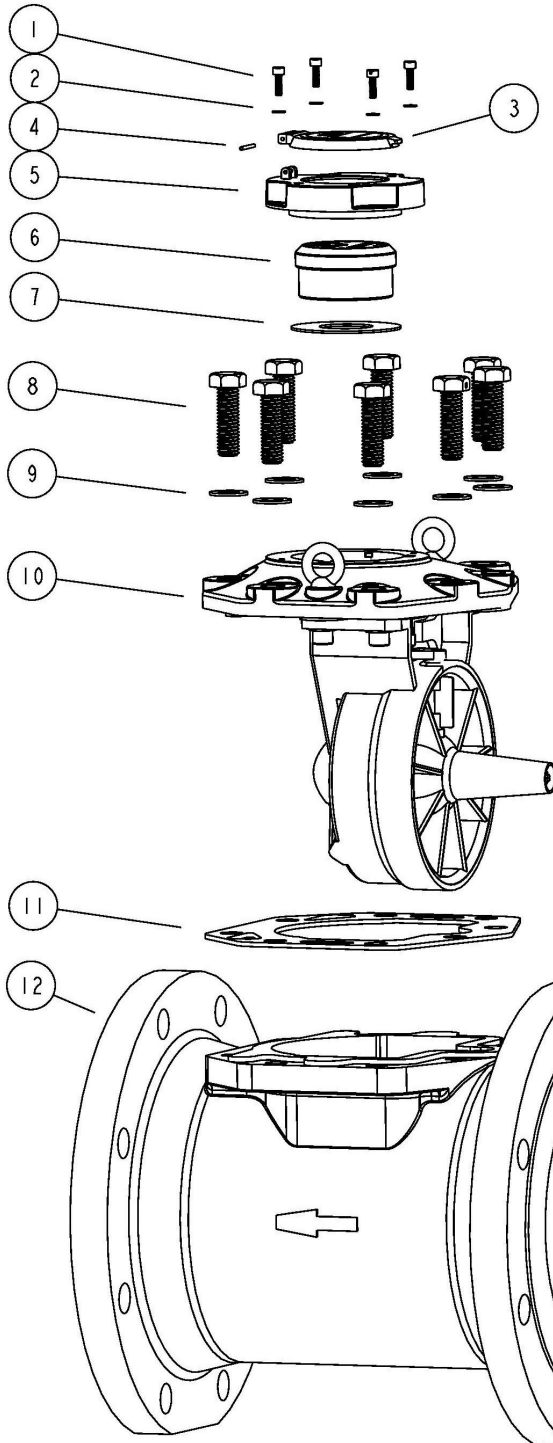
Parts List for Model PMT06 (Size 6")



ITEM	PART NUMBER	DESCRIPTION	QTY
1A	.05C10CCSS	Screw Skt Cap SS M5-0.8 x 10	3
1B	.05C10CCSS-DH	Screw Skt Cap SS M5-0.8 x 10, DH	1
2	.05N10WLWC	Washer Lock Wave CU M5 x 10	4
3/4/5	PMT-CVRA-B	Cover Retaining Ring and Lid, Brass	1
3	PM-RCVR-XB	Register Cover, Brass	1
4	PINDOBR-098-100	Register Cover Hinge Pin	1
5	PMT-RRR	PMT Register Retaining Ring	1
6-CF	PMT06-REG-CF	Register, 6" Turbine, Cubic Feet	1
6-CM	PMT06-REG-CM	Register, 6" Turbine, Cubic Meters	1
6-US	PMT06-REG-US	Register, 6" Turbine, U.S.Gallon	1
7	PMT-MBR	Magnet Barrier Ring	1
8A	.16C50HCSS	Bolt Hex Cap SS M16-2 x 50	7
8B	.16C50HCSS-DH	Bolt Hex Cap SS M16-2 x 50 DH	1
9	.16N30WSHS	Washer Flat SS M16 x 30 OD	8
10	PMT06-MEA-WCP	PMT06/08 Measuring Element Assembly with Brass Cover Plate	1
11	PMT06-GSKT-CP	Cover Plate Gasket	1
12	PMT06-HSG	Housing, 6", Cast Iron	1
	PMT06-UME-**	Complete 6" PMT06 Unitized Measuring Element Assembly, **= US, CF or CM. Includes items 1 thru 7 and 10 thru 12	

## ZENNER Cast Iron Turbine Meters

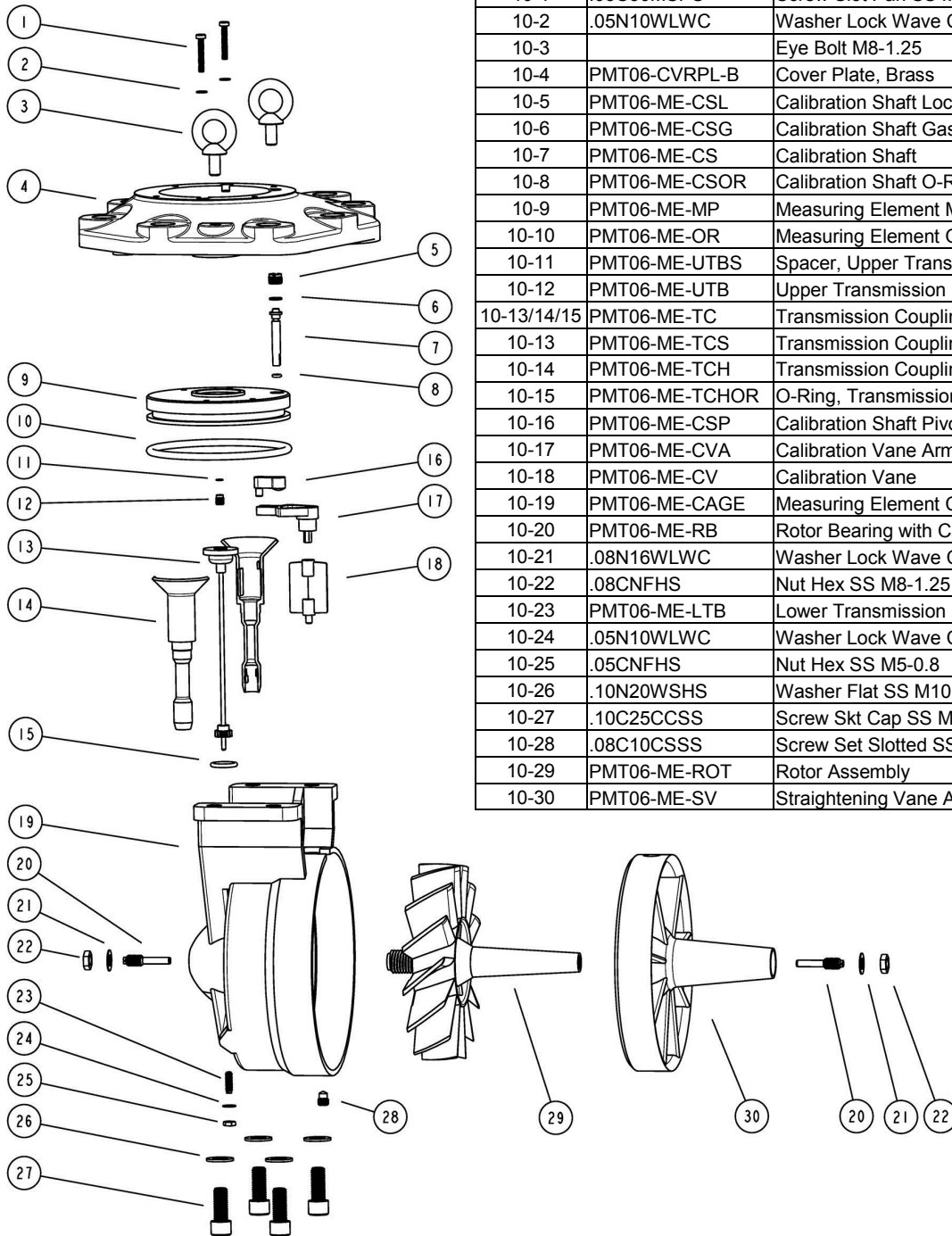
Parts List for Model PMT08 (Size 8")



ITEM	PART NUMBER	DESCRIPTION	QTY
1A	.05C10CCSS	Screw Skt Cap SS M5-0.8 x 10	3
1B	.05C10CCSS-DH	Screw Skt Cap SS M5-0.8 x 10, DH	1
2	.05N10WLWC	Washer Lock Wave CU M5 x 10	4
3/4/5	PMT-CVRA-B	Cover Retaining Ring and Lid, Brass	1
3	PM-RCVR-XB	Register Cover, Brass	1
4	PINDOBR-098-100	Register Cover Hinge Pin	1
5	PMT-RRR	PMT Register Retaining Ring	1
6-CF	PMT08-REG-CF	Register, 8" Turbine, Cubic Feet	1
6-CM	PMT08-REG-CM	Register, 8" Turbine, Cubic Meters	1
6-US	PMT08-REG-US	Register, 8" Turbine, U.S.Gallon	1
7	PMT-MBR	Magnet Barrier Ring	1
8A	.16C50HCSS	Bolt Hex Cap SS M16-2 x 50	7
8B	.16C50HCSS-DH	Bolt Hex Cap SS M16-2 x 50 DH	1
9	.16N30WSHS	Washer Flat SS M16 x 30 OD	8
10	PMT06-MEA-WCP	PMT06/08 Measuring Element Assembly with Brass Cover Plate	1
11	PMT06-GSKT-CP	Cover Plate Gasket	1
12	PMT08-HSG	Housing, 8", Cast Iron	1
	PMT08-UME-**	Complete 8" PMT08 Unitized Measuring Element Assembly, **= US, CF or CM. Includes items 1 thru 7 and 10 thru 12	

## ZENNER Cast Iron Turbine Meters

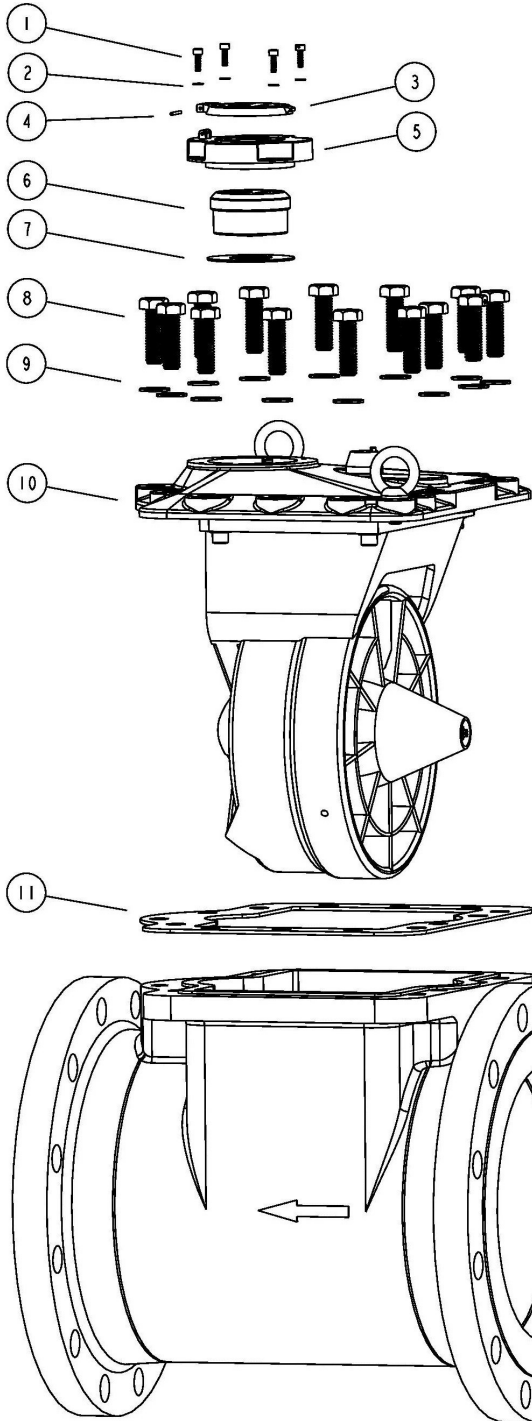
Measuring Element Parts List for Models PMT06, PMT08 (Sizes 6", 8")



ITEM	PART NUMBER	DESCRIPTION	QTY
10-1	.05C30MSPS	Screw Slot Pan SS M5-0.8 x 30	2
10-2	.05N10WLWC	Washer Lock Wave CU M5 x 10	2
10-3		Eye Bolt M8-1.25	2
10-4	PMT06-CVRPL-B	Cover Plate, Brass	1
10-5	PMT06-ME-CSL	Calibration Shaft Lock	1
10-6	PMT06-ME-CSG	Calibration Shaft Gasket	1
10-7	PMT06-ME-CS	Calibration Shaft	1
10-8	PMT06-ME-CSOR	Calibration Shaft O-Ring	1
10-9	PMT06-ME-MP	Measuring Element Mounting Plate	1
10-10	PMT06-ME-OR	Measuring Element O-Ring	2
10-11	PMT06-ME-UTBS	Spacer, Upper Transmission Bearing	1
10-12	PMT06-ME-UTB	Upper Transmission Bearing w/Jewel	1
10-13/14/15	PMT06-ME-TC	Transmission Coupling Assembly	1
10-13	PMT06-ME-TCS	Transmission Coupling Shaft	1
10-14	PMT06-ME-TCH	Transmission Coupling Housing	2
10-15	PMT06-ME-TCHOR	O-Ring, Transmission Coupling Housing	1
10-16	PMT06-ME-CSP	Calibration Shaft Pivot	2
10-17	PMT06-ME-CVA	Calibration Vane Arm	3
10-18	PMT06-ME-CV	Calibration Vane	3
10-19	PMT06-ME-CAGE	Measuring Element Cage Assembly	1
10-20	PMT06-ME-RB	Rotor Bearing with Carbide Tip	2
10-21	.08N16WLWC	Washer Lock Wave CU M8 x 16	2
10-22	.08CNFHS	Nut Hex SS M8-1.25	2
10-23	PMT06-ME-LTB	Lower Transmission Bearing Assy	1
10-24	.05N10WLWC	Washer Lock Wave CU M5 x 10	1
10-25	.05CNFHS	Nut Hex SS M5-0.8	1
10-26	.10N20WSHS	Washer Flat SS M10 x 20	4
10-27	.10C25CCSS	Screw Skt Cap SS M10-1.5 x 25	4
10-28	.08C10CSSS	Screw Set Slotted SS M8-1.25 x 10	1
10-29	PMT06-ME-ROT	Rotor Assembly	1
10-30	PMT06-ME-SV	Straightening Vane Assembly	1

## ZENNER Cast Iron Turbine Meters

Parts List for Model PMT10 (Size 10")

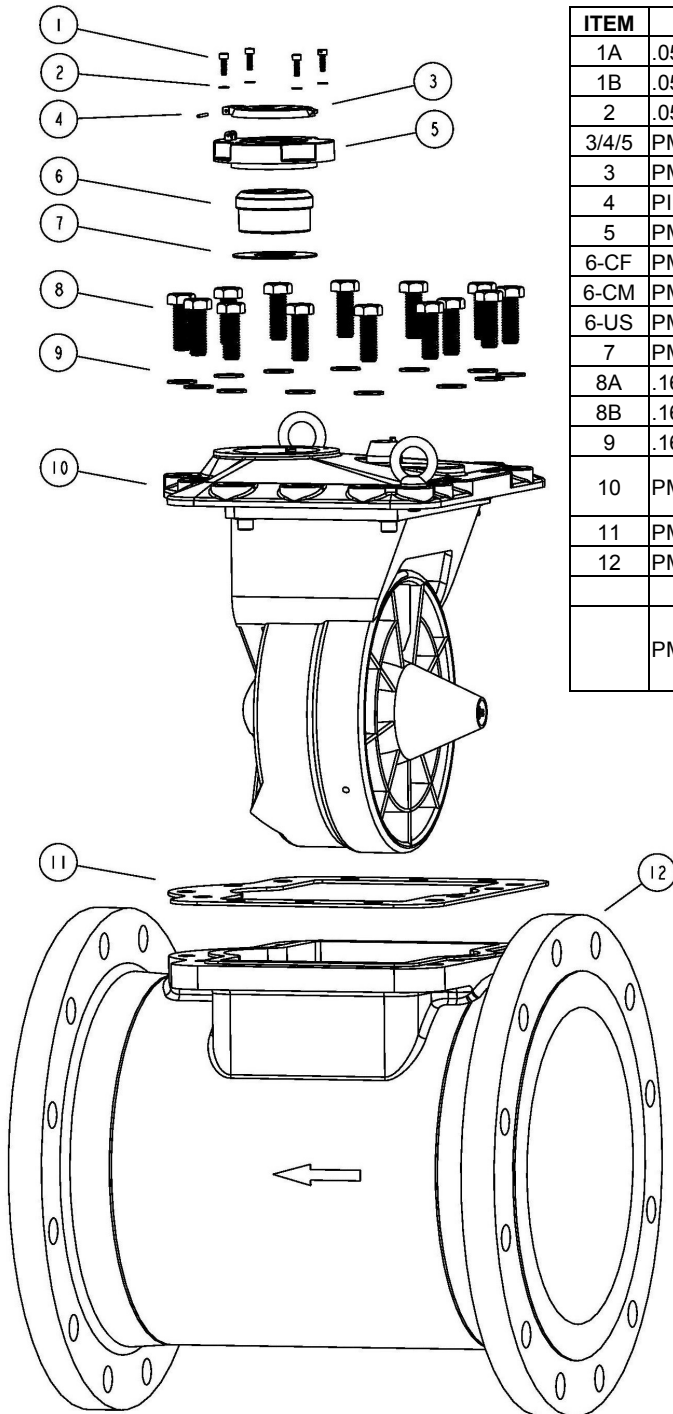


ITEM	PART NUMBER	DESCRIPTION	QTY
1A	.05C10CCSS	Screw Skt Cap SS M5-0.8 x 10	3
1B	.05C10CCSS-DH	Screw Skt Cap SS M5-0.8 x 10, DH	1
2	.05N10WLWC	Washer Lock Wave CU M5 x 10	4
3/4/5	PMT-CVRA-B	Cover Retaining Ring and Lid, Brass	1
3	PM-RCVR-XB	Register Cover, Brass	1
4	PINDOBR-098-100	Register Cover Hinge Pin	1
5	PMT-RRR	PMT Register Retaining Ring	1
6-CF	PMT10-REG-CF	Register, 10" Turbine, Cubic Feet	1
6-CM	PMT10-REG-CM	Register, 10" Turbine, Cubic Meters	1
6-US	PMT10-REG-US	Register, 10" Turbine, U.S.Gallon	1
7	PMT-MBR	Magnet Barrier Ring	1
8A	.16C50HCSS	Bolt Hex Cap SS M16-2 x 50	13
8B	.16C50HCSS-DH	Bolt Hex Cap SS M16-2 x 50 DH	1
9	.16N30WSHS	Washer Flat SS M16 x 30 OD	14
10	PMT10-MEA-WCP	PMT10/12 Measuring Element Assembly with Cast Iron Cover Plate	1
11	PMT10-GSKT-CP	Cover Plate Gasket	1
12	PMT10-HSG	Housing, 10", Cast Iron	1
	PMT10-UME-**	Complete 10" PMT10 Unitized Measuring Element Assembly, **= US, CF or CM. Includes items 1 thru 7 and 10 thru 11	



## ZENNER Cast Iron Turbine Meters

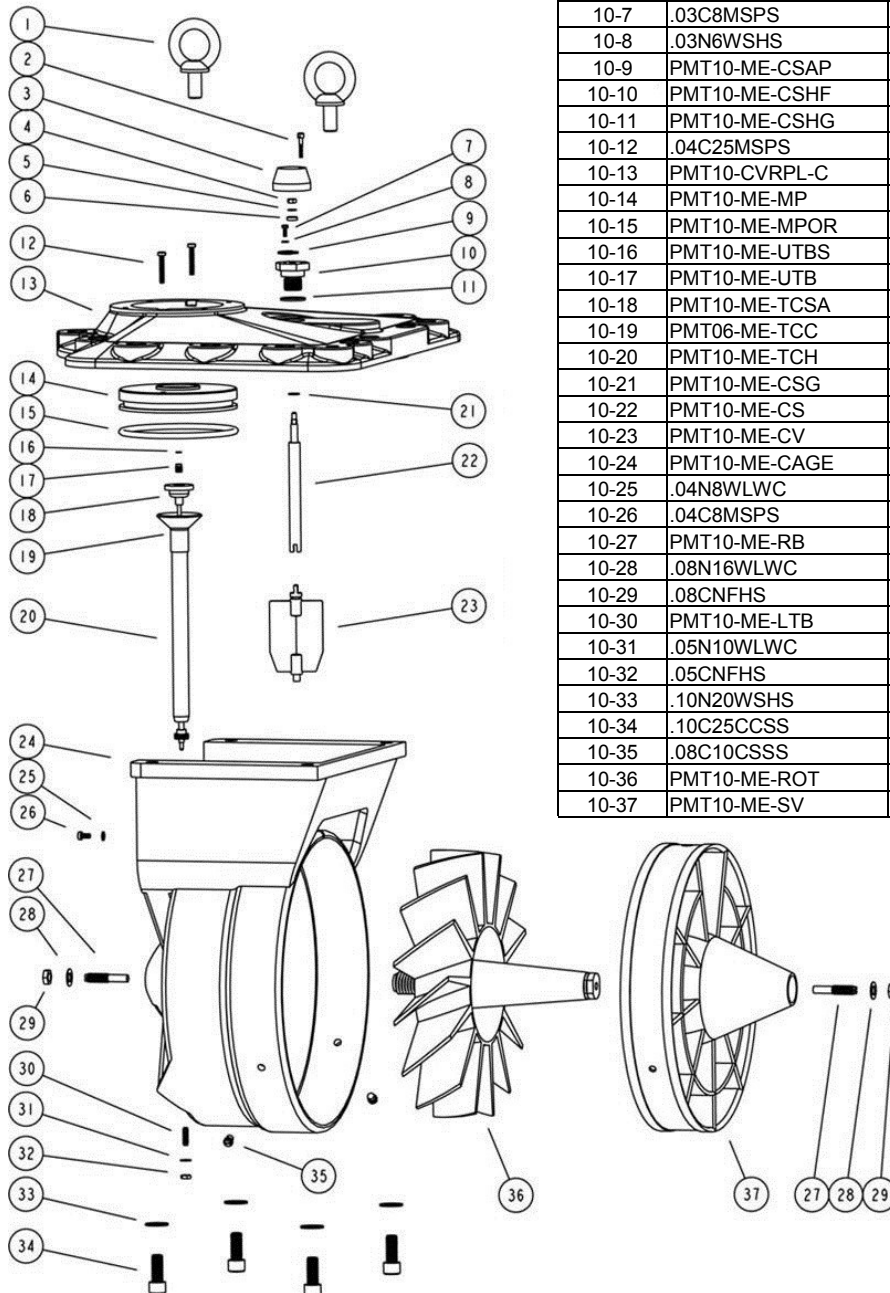
Parts List for Model PMT12 (Size 12")



ITEM	PART NUMBER	DESCRIPTION	QTY
1A	.05C10CCSS	Screw Skt Cap SS M5-0.8 x 10	3
1B	.05C10CCSS-DH	Screw Skt Cap SS M5-0.8 x 10, DH	1
2	.05N10WLWC	Washer Lock Wave CU M5 x 10	4
3/4/5	PMT-CVRA-B	Cover Retaining Ring and Lid, Brass	1
3	PM-RCVR-XB	Register Cover, Brass	1
4	PINDOBR-098-100	Register Cover Hinge Pin	1
5	PMT-RRR	PMT Register Retaining Ring	1
6-CF	PMT12-REG-CF	Register, 12" Turbine, Cubic Feet	1
6-CM	PMT12-REG-CM	Register, 12" Turbine, Cubic Meters	1
6-US	PMT12-REG-US	Register, 12" Turbine, U.S.Gallon	1
7	PMT-MBR	Magnet Barrier Ring	1
8A	.16C50HCSS	Bolt Hex Cap SS M16-2 x 50	13
8B	.16C50HCSS-DH	Bolt Hex Cap SS M16-2 x 50 DH	1
9	.16N30WSHS	Washer Flat SS M16 x 30 OD	14
10	PMT10-MEA-WCP	PMT10/12 Measuring Element Assembly with Cast Iron Cover Plate	1
11	PMT10-GSKT-CP	Cover Plate Gasket	1
12	PMT12-HSG	Housing, 12", Cast Iron	1
	PMT12-UME-**	Complete 12" PMT12 Unitized Measuring Element Assembly, **= US, CF or CM. Includes items 1 thru 7 and 10 thru 11	

## ZENNER Cast Iron Turbine Meters

Measuring Element Parts List for Models PMT10, PMT10 (Sizes 10", 12")



ITEM	PART NUMBER	DESCRIPTION	QTY
10-1		Eye Bolt M12-1.75	2
10-2		Screw Slot SS M3-0.5 x 18 DH	1
10-3	PMT10-ME-CSC	Calibration Shaft Cover	1
10-4	.04CNFHS	Nut Hex SS M4-0.7	1
10-5	.04N8WLWC	Washer Lock Wave CU M4 x 8	1
10-6	PMT10-ME-CSS	Calibration Shaft Spacer	1
10-7	.03C8MSPS	Screw Slot Pan SS M3-0.5 x 8	1
10-8	.03N6WSHS	Washer Flat M3 x 6	1
10-9	PMT10-ME-CSAP	Calibration Shaft Adjustment Plate	1
10-10	PMT10-ME-CSHF	Calibration Shaft Hex Fitting	1
10-11	PMT10-ME-CSHG	Calibration Shaft Hex Fitting Gasket	1
10-12	.04C25MSPS	Screw Slot Pan SS M4-0.7 x 25	2
10-13	PMT10-CVRPL-C	Cover Plate, Cast Iron Epoxy Coated	1
10-14	PMT10-ME-MP	Measuring Element Mounting Plate	1
10-15	PMT10-ME-MPOR	Mounting Plate O-Ring	1
10-16	PMT10-ME-UTBS	Spacer, Upper Transmission Bearing	1
10-17	PMT10-ME-UTB	Upper Transmission Bearing Assembly	1
10-18	PMT10-ME-TCSA	Transmission Coupling Shaft Assembly	1
10-19	PMT06-ME-TCC	Transmission Coupling Collar	1
10-20	PMT10-ME-TCH	Transmission Coupling Housing	1
10-21	PMT10-ME-CSG	Calibration Shaft Gasket	1
10-22	PMT10-ME-CS	Calibration Shaft	1
10-23	PMT10-ME-CV	Calibration Vane	1
10-24	PMT10-ME-CAGE	Measuring Element Cage Assembly	1
10-25	.04N8WLWC	Washer Lock Wave CU M4 x 8	1
10-26	.04C8MSPS	Screw Slot Pan SS M4-0.7 x 8	1
10-27	PMT10-ME-RB	Rotor Bearing with Carbide Tip	2
10-28	.08N16WLWC	Washer Lock Wave CU M8 x 16	2
10-29	.08CNFHS	Nut Hex SS M8-1.25	2
10-30	PMT10-ME-LTB	Lower Transmission Bearing Assy	1
10-31	.05N10WLWC	Washer Lock Wave CU M5 x 10	1
10-32	.05CNFHS	Nut Hex SS M5-0.8	1
10-33	.10N20WSHS	Washer Flat SS M10 x 20	4
10-34	.10C25CCSS	Screw Skt Cap SS M10-1.5 x 25	4
10-35	.08C10CSSS	Screw Set Slotted SS M8-1.25 x 10	2
10-36	PMT10-ME-ROT	Rotor Assembly	1
10-37	PMT10-ME-SV	Straightening Vane Assembly	1