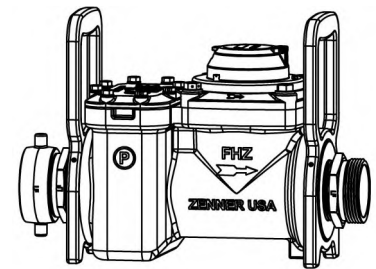
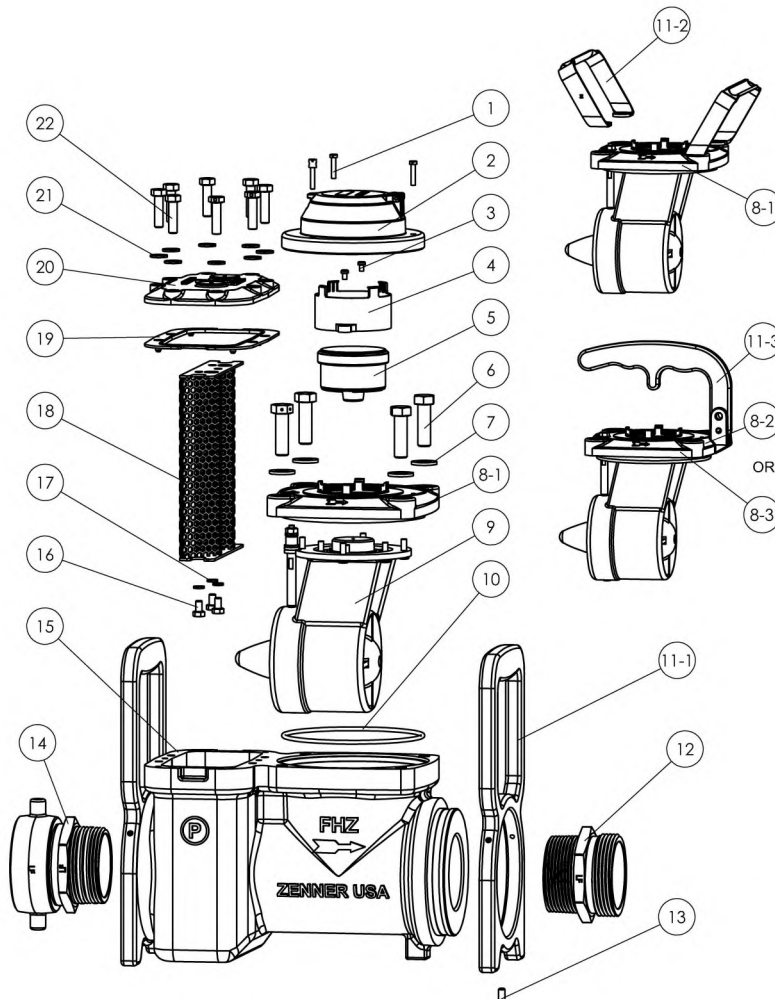


## ZENNER Performance Fire Hydrant Meters Parts List for Models FHZP25D, FHZP25B, FHZP25P, FHPZ25S (Size 3")

ITEM	PART NUMBER	DESCRIPTION	QTY
1A	.04C20MSPS	Screw Slot Pan SS M4-0.7 x 20	2
1B	.04C20MSPS-DH	Screw Slot Pan SS M4-0.7 x 20, DH	1
2	FHZ-CVRA-XB	FHZ Brass Shroud and Lid Assembly	1
2A	PM-RCVR-XB	Register Cover, Brass	1
2B	PINOBR-098-100	Register Cover Hinge Pin	1
2C	FHZ-SHR-B	FHZ Brass Shroud	1
3	.04C6MPPS	Screw Phil Pan SS M4-0.7 x 6	2
4	FHZ-REG-RR	FHZ Register Retaining Ring, Plastic	1
5-CF	FHZ03-REG-CF	FHZ Register, 3", Cubic Feet	1
5-CM	FHZ03-REG-CM	FHZ Register, 3", Cubic Meters	1
5-US	FHZ03-REG-US	FHZ Register, 3", U.S.Gallon	1
6A	.12C40HCSS	Bolt Hex Cap SS M12-1.75 x 40	3
6B	.12C40HCSS-DH	Bolt Hex Cap SS M12-1.75 x 40, DH	1
7	.12N20WSHS	Washer Flat SS M12 x 20 OD	4
8-1	FHZ-CVRPL-SB	Cover Plate Assy, Barrel Lock	1
8-2	FHZ-CVRPL-SP	Cover Plate Assy, Padlock	1
8-3	FHZ-CVRPL	Cover Plate, Flat	1
9	FHZ-MEC	FHZ Measuring Element Components	1

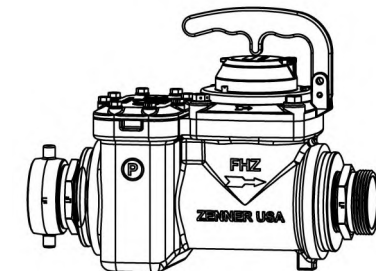
ITEM	PART NUMBER	DESCRIPTION	QTY
9A	FHZ-ME-FS	FHZ Measuring Element Front Seal	1
10	FHZ-CVRPL-ORING	FHZ Cover Plate O-Ring	1
11-1	FHZP-HNDL-DA	FHZP Aluminum Handle	2
11-2	FHZ-HNDL-DS	FHM Double Handle, SS	2
11-3A	FHZ-HNDL-SB	FHZ Single Handle Barrel Lock	1
11-3B	FHZ-HNDL-SP	FHZ Single Handle Padlock	1
12	NP2525B	Nipple 2.5"NH x 2.5"MIP, Brass	1
13	.06C12CSCS	Screw Set Socket SS M6-1 x 12	6
14	SW2525B-STR	Swivel 2.5"SW x 2.5"MIP with Strainer	1
15	FHZP-HSG-2525R	FHZP Meter Housing	1
16	.06C10HCSS	Bolt Hex Cap SS M6-1 x 10	3
17	.06C10WLSS	Washer Lock SS M6	3
18	FHZP-STR-SCR	Strainer Screen Assembly, SS	1
19	FHZP-STR-GSKT	Gasket, FHZP Strainer Cover	1
20	FHZP-STR-CVR	FHZP Strainer Cover	1
21	.08N16WSHS	Washer Flat SS M8 x 16 OD	8
22A	.08C30HCSS	Bolt Hex Cap SS M8-1.25 x 30	6
22B	.08C30HCSS-DH	Bolt Hex Cap SS M8-1.25 x 30, DH	2



ALUMINUM DOUBLE HANDLES



SS DOUBLE HANDLES

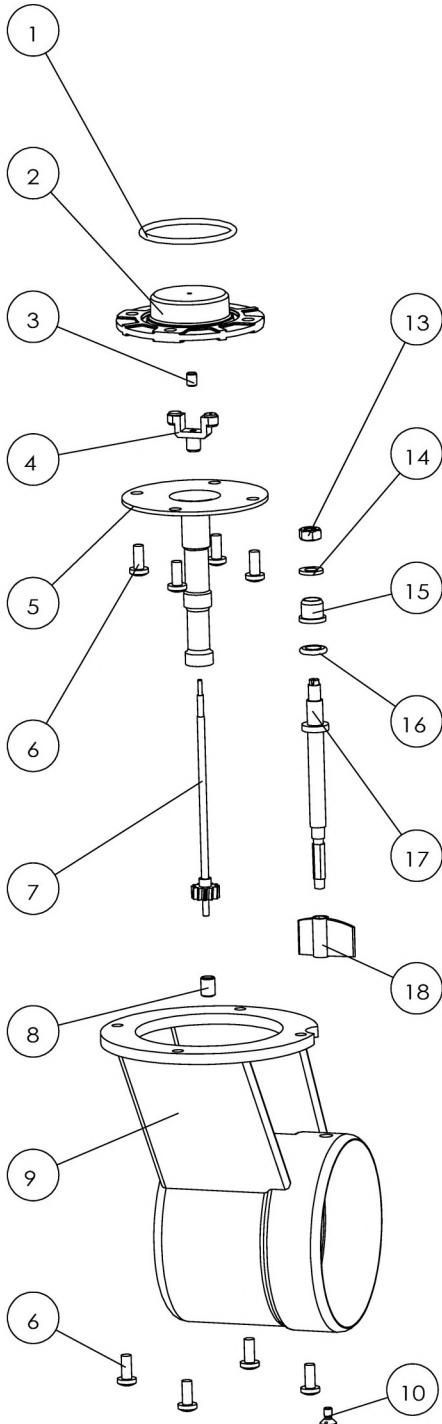


ALUMINUM SINGLE HANDLE

## ZENNER Performance Fire Hydrant Meters

### Measuring Element Parts List

#### Models FHZP25D, FHZP25B, FHZP25P, FHPZ25S (Size 3")



ITEM	PART NUMBER	DESCRIPTION	QTY
9	FHZ-MEC	FHZ Measuring Element Components	
9-1	FHZ-ME-UBA-ORING	O-Ring, Upper Bearing Assembly	1
9-2	FHZ-ME-UBA	Upper Bearing Assembly	1
9-3		Upper Transmission Bearing	1
9-4/5/7	FHZ-ME-TC	Transmission Coupling Shaft Assembly	
9-4		Magnet Component	1
9-5		Transmission Coupling Shaft Housing	1
9-6		Screw, Pan Head, SS	8
9-7		Transmission Shaft Gear	1
9-8		Lower Transmission Bearing	1
9-9	FHZ-ME-CAGE	FHZ Measuring Element Cage	1
9-10		Screw, Flat Head, SS	1
9-11	FHZ-ME-ROTOR	FHZ Rotor Assembly	1
9-12	FHZ-ME-SV	FHZ Straightening Vane	1
9-13		Nut, SS	1
9-14		Washer, SS	1
9-15		Bushing, Brass	1
9-16		Sealing Ring	1
9-17		Calibration Shaft	1
9-18		Calibration Vane	1

