

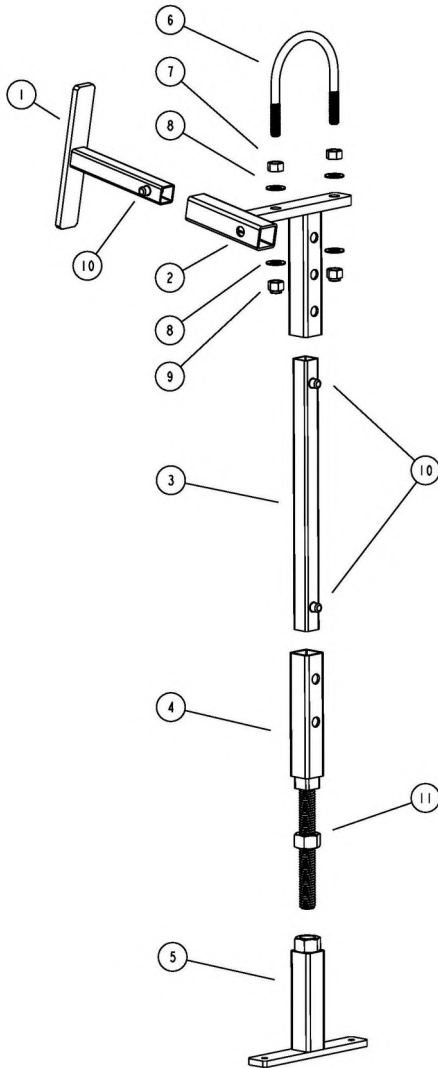
## ZENNER Universal Hydrant Meter Stand

### Model ZHS-STAND-UNIV

**INTRODUCTION:** ZENNER Universal Hydrant Meter Stands are designed for use in supporting a 2" RPZ Backflow Assembly attached to a hydrant meter.

**INSTALLATION:** The 2" RPZ Backflow is typically installed with a 2" Gate Valve and 2" MIPT x 2-1/2" MNST Fire Hose Nipple on the outlet side. The Stand is attached between the Gate Valve and Fire Hose Nipple using the supplied U-Bolt and mounting hardware. The height of the stand can be adjusted using a combination of the threaded rod and snap-buttons.

**CONSTRUCTION:** ZENNER Universal Hydrant Meter Stands include fabricated stainless steel components and stainless steel hardware. All of the fabricated components are powder coated black.

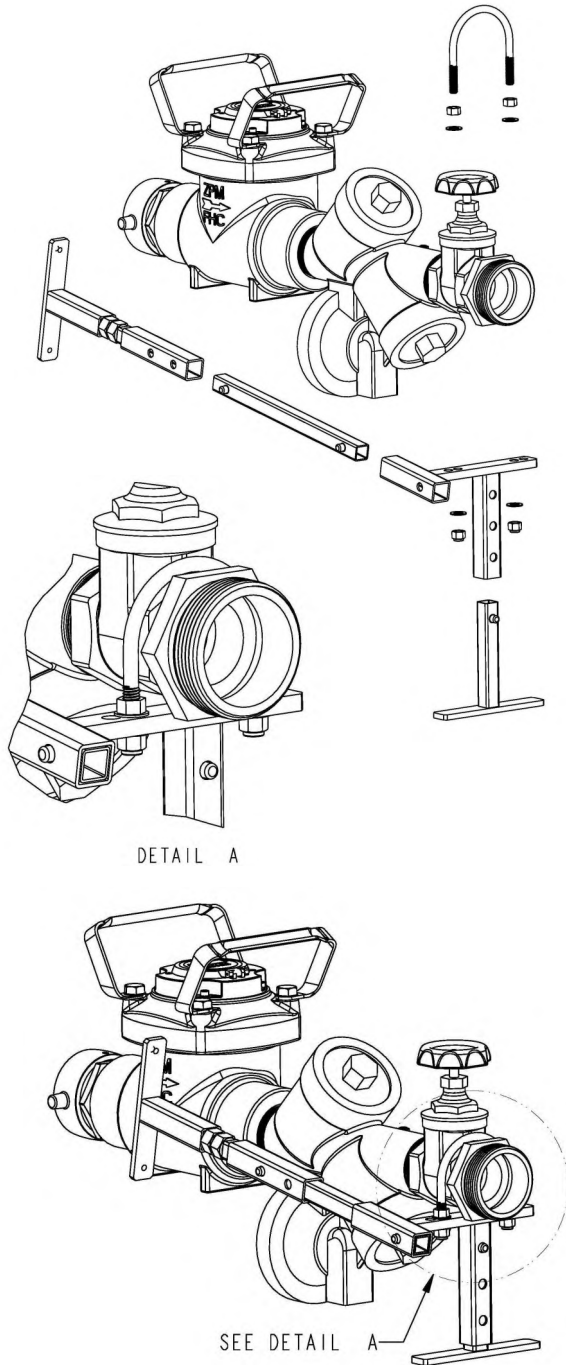


ITEM	PART NUMBER	DESCRIPTION	QTY
1	ZHS-SUPTB	ZHS Support Bracket, SS	1
2	ZHS-TOP-UNIV	ZHS Universal Top Assembly, SS	1
3	ZHS-EXT-110	ZHS Extension 11", SS	1
4	ZHS-MID	ZHS Middle Assembly, SS	1
5	ZHS-BASE	ZHS Base Assembly, SS	1
6	ZHS-U-BOLT	U-Bolt (Includes items 7, 8 and 9)	1
7	.10CNFHS	Nut Hex Finish SS M16-1.5	2
8	.10N20WSHS	Washer Flat SS M10	4
9	.10CNNES	Nut Hex Nylock SS M10-1.5	2
10	B160X	Snap-Button, Single End	3
11	.16CNFHS	Nut Hex Finish SS M16-2	1



## ZENNER Universal Hydrant Meter Stand

### Shipping and Storage Configuration



### Installed Configuration

