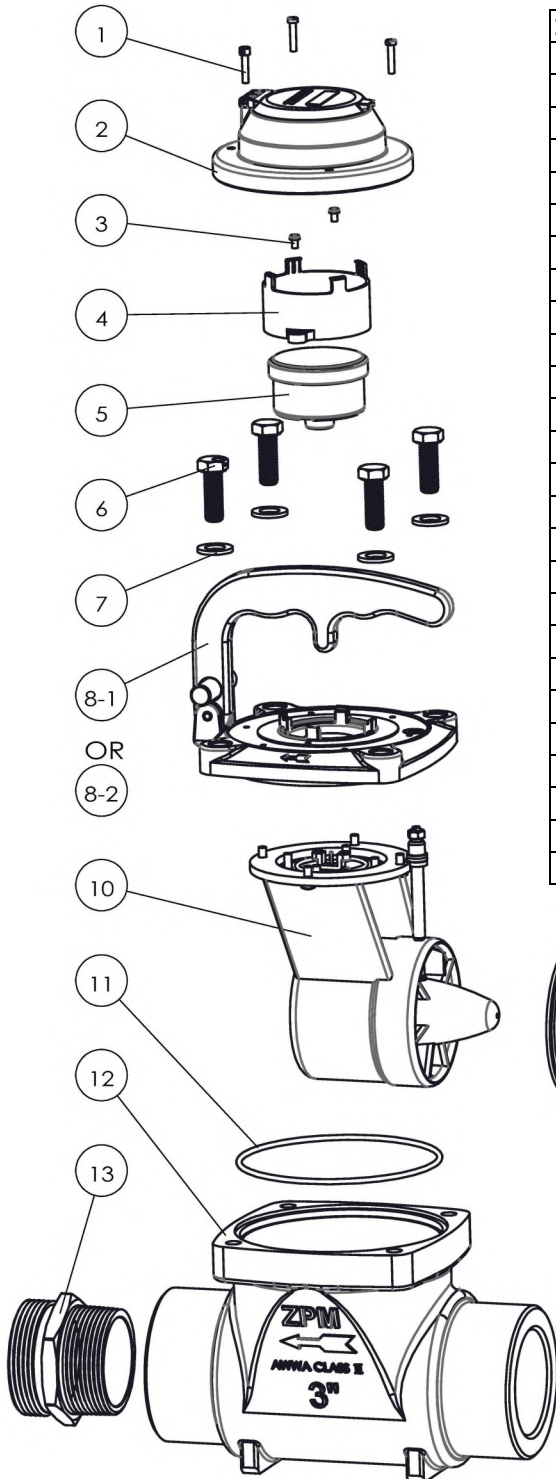
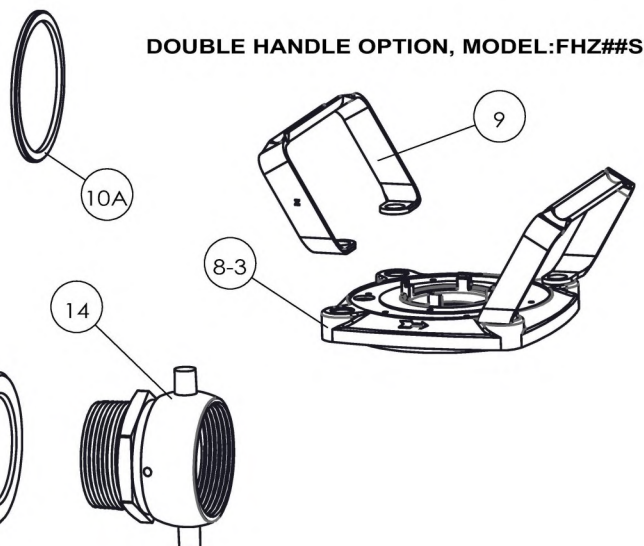


ZENNER Fire Hydrant Meters

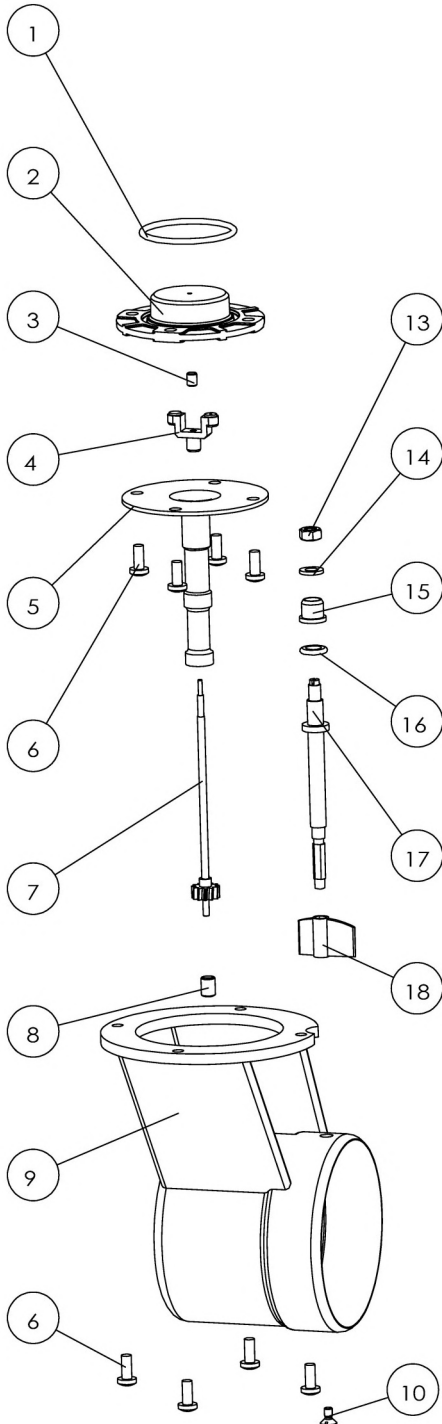
Parts List for Models FHZ20, FHZ25, FHZ30 (Size 3")



ITEM	PART NUMBER	DESCRIPTION	QTY
1A	.04C20MSPS	Screw Slot Pan SS M4-0.7 x 20	2
1B	.04C20MSPS-DH	Screw Slot Pan SS M4-0.7 x 20, Drilled Hole	1
2	FHZ-CVRA-XB	FHZ Brass Register Shroud and Lid	1
3	.04C6MPPS	Screw Phil Pan SS M4-0.7 x 6	2
4	FHZ-REG-RR	FHZ Register Retaining Ring, Plastic	1
5-CF	FHZ03-REG-CF	FHZ Register, 3", Cubic Feet	1
5-CM	FHZ03-REG-CM	FHZ Register, 3", Cubic Meters	1
5-US	FHZ03-REG-US	FHZ Register, 3", U.S.Gallons	1
6A	.12C40HCSS	Bolt Hex Cap SS M12-1.75 x 40	3
6B	.12C40HCSS-DH	Bolt Hex Cap SS M12-1.75 x 40, Drilled Hole	1
7	.12N20WSHS	Washer Flat SS M12 x 20 OD	4
8-1	FHZ-CVRPL-SB	Cover Plate Assy, Barrel Lock (FHZ##B)	1
8-2	FHZ-CVRPL-SP	Cover Plate Assy, Padlock (FHZ##P)	1
8-3	FHZ-CVRPL	Cover Plate, Flat (FHZ##S or FHZ##N)	1
9	FHZ-HNDL-DS	FHM Double Handle, SS	2
10	FHZ-MEC	FHZ Measuring Element Components	1
10A	FHZ-ME-FS	FHZ Measuring Element Front Seal	1
11	FHZ-CVRPL-ORING	FHZ Cover Plate O-Ring	1
12-1	NP2520B	Nipple 2.5"MNST x 2"MIPT, Brass (FHZ20)	1
12-2	NP2525B	Nipple 2.5"MNST x 2.5"MIPT, Brass (FHZ25)	1
12-3	NP2530B	Nipple 2.5"MNST x 3"MIPT, Brass (FHZ30)	1
13-1	FHZ-HSG-2520	FHZ Housing 2.5"FIPT x 2"FIPT (FHZ20)	1
13-2	FHZ-HSG-2525R	FHZ Housing 2.5"FIPT x 2.5"FIPT (FHZ25)	1
13-3	FHZ-HSG-3030	FHZ Housing 3"FIPT x 3"FIPT (FHZ30)	1
14-1	SW2525B-STR	Swivel 2.5"FNST x 2.5"MIPT Br w/Strainer	1
14-2	SW2530B-STR	Swivel 2.5"FNST x 3"MIPT Br w/Str (FHZ30)	1



ZENNER Fire Hydrant Meters Measuring Element Parts List Models FHZ20, FHZ25, FHZ30 (Size 3")



ITEM	PART NUMBER	DESCRIPTION	QTY
10	FHZ-MEC	FHZ Measuring Element Components	
10-1	FHZ-ME-UBA-ORING	O-Ring, Upper Bearing Assembly	1
10-2	FHZ-ME-UBA	Upper Bearing Assembly	1
10-3		Upper Transmission Bearing	1
10-4/5/7	FHZ-ME-TC	Transmission Coupling Shaft Assembly	
10-4		Magnet Component	1
10-5		Transmission Coupling Shaft Housing	1
10-6		Screw, Pan Head, SS	8
10-7		Transmission Shaft Gear	1
10-8		Lower Transmission Bearing	1
10-9	FHZ-ME-CAGE	FHZ Measuring Element Cage	1
10-10		Screw, Flat Head, SS	1
10-11	FHZ-ME-ROTOR	FHZ Rotor Assembly	1
10-12	FHZ-ME-SV	FHZ Straightening Vane	1
10-13		Nut, SS	1
10-14		Washer, SS	1
10-15		Bushing, Brass	1
10-16		Sealing Ring	1
10-17		Calibration Shaft	1
10-18		Calibration Vane	1

