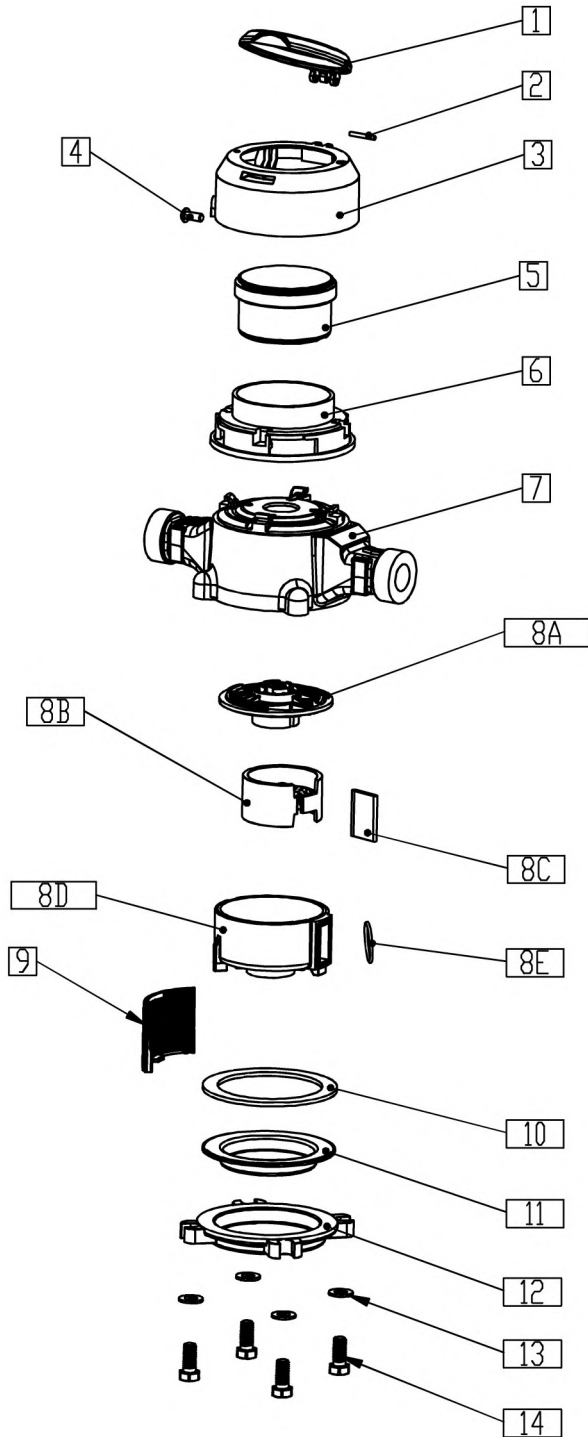


## ZENNER Positive Displacement Type Cold Water Meters

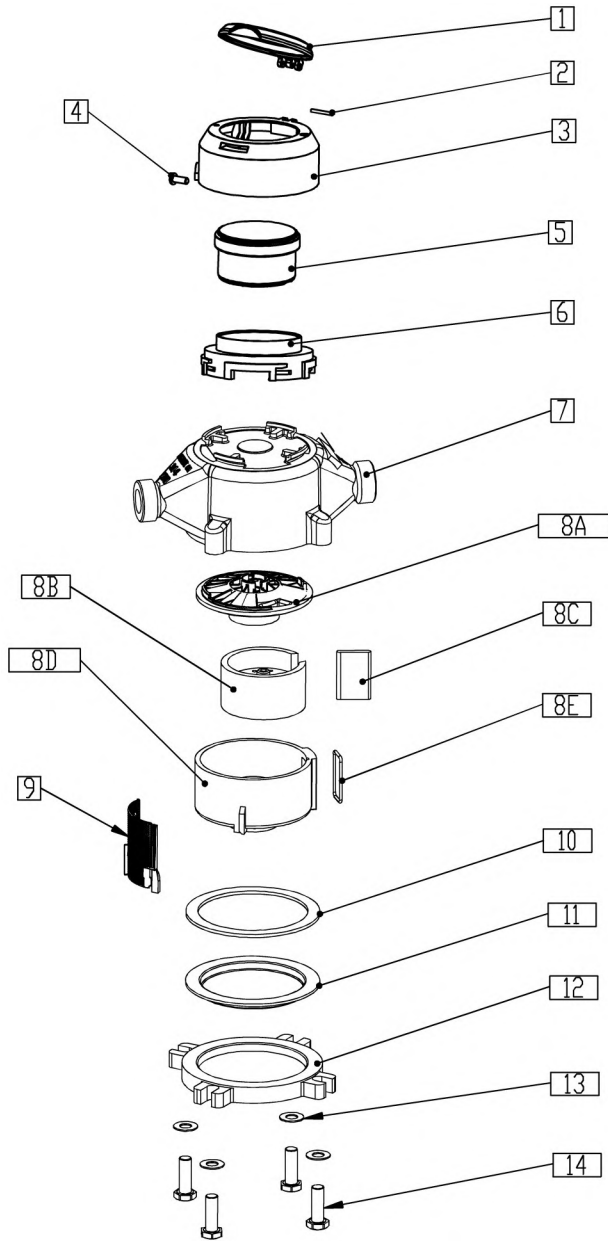
Parts List for Models ZPD01, ZPD02 (Sizes 5/8X1/2, 5/8X3/4)



ITEM	PART NUMBER	DESCRIPTION	QTY
1-B	PM-RCVR-XB	Register Cover, Brass	1
1-P	ZM-RCVR-XP	Register Cover, Plastic	1
1-BE	ZM-RCVR-EB	Register Cover, Brass, ETRU	1
1-PE	136697	Register Cover, Plastic, ETRU	1
2-B	PINDOBR-098-100	Register Cover Hinge Pin (for brass)	1
2-P	ZM-RCVR-PIN	Register Cover Hinge Pin (for plastic)	1
3-B	ZM-SHR-B	Register Shroud, Brass	1
3-P	ZM-SHR-P	Register Shroud, Plastic	1
4-CF	ZPD02-REG-CF	Register, 5/8 ZPD, Cubic Feet	1
4-CM	ZPD02-REG-CM	Register, 5/8 ZPD, Cubic Meters	1
4-US	ZPD02-REG-US	Register, 5/8 ZPD, U.S. Gallons	1
5	RTK-RR-SHR	Shroud Retaining Ring	1
6	.05C15CPSS-T	Tamper Screw Skt Pan M5-0.8 X 15	1
7-01	ZPD01-HSG	PPD01 Housing, 5/8 X 1/2	1
7-02	ZPD02-HSG	PPD02 Housing, 5/8 X 3/4	1
8	ZPD02-CHA	ZPD02 Chamber Assembly Complete	1
8A		ZPD02 Chamber Top	1
8B		ZPD02 Piston	1
8C		ZPD02 Division Plate	1
8D		ZPD02 Chamber Bottom	1
8E		ZPD02 Chamber Outlet O-Ring	1
9	ZPD02-STR	ZPD02 Strainer	1
10	PPD02-BPL-GSKT	PPD02 Bottom Plate Gasket	1
11	PPD02-BPL-LINER	PPD02 Bottom Plate Liner	1
12-B	PPD02-BPL-B	PPD02 Bottom Plate, Brass	1
12-C	PPD02-BPL-C	PPD02 Bottom Plate, Cast Iron	1
12-P	PPD02-BPL-P	PPD02 Bottom Plate, Plastic	1
13	31N62WSHS	Washer Flat SS 5/16 x 5/8	4
14	31C87HCSS	Bolt Hex Cap SS 5/16-18 x .875	4

## ZENNER Positive Displacement Type Cold Water Meters

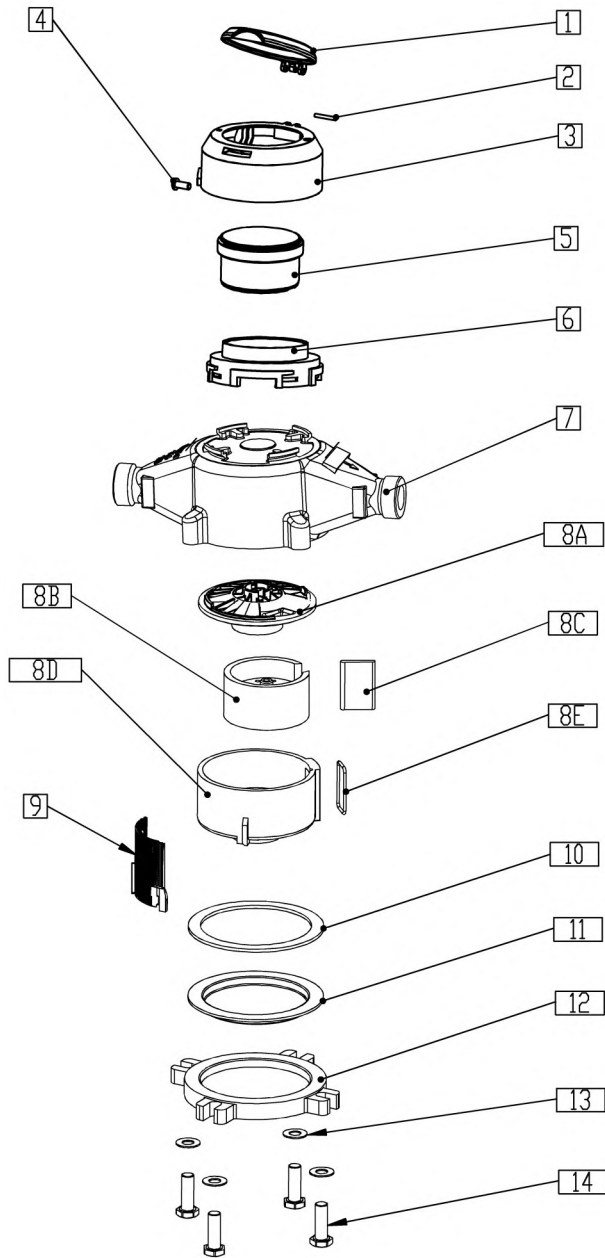
### Parts List for Model PPD03 (Size 3/4"SL)



ITEM	PART NUMBER	DESCRIPTION	QTY
1-B	PM-RCVR-XB	Register Cover, Brass	1
1-P	ZM-RCVR-XP	Register Cover, Plastic	1
1-BE	ZM-RCVR-EB	Register Cover, Brass, ETRU	1
1-PE	136697	Register Cover, Plastic, ETRU	1
2-B	PINDOBR-098-100	Register Cover Hinge Pin (for brass)	1
2-P	ZM-RCVR-PIN	Register Cover Hinge Pin (for plastic)	1
3-B	ZM-SHR-B	Register Shroud, Brass	1
3-P	ZM-SHR-P	Register Shroud, Plastic	1
4-CF	RTK03-REG-CF	Register, 3/4 RTK-PPD, Cubic Feet	1
4-CM	RTK03-REG-CM	Register, 3/4 RTK-PPD, Cubic Meters	1
4-US	RTK03-REG-US	Register, 3/4 RTK-PPD, U.S.Gallons	1
5	RTK-RR-SHR	Shroud Retaining Ring	1
6	.05C15CPSS-T	Tamper Screw Skt Pan M5-0.8 X 15	1
7	PPD03-HSG	PPD03 Housing, 5/8 X 3/4	1
8	ZPD03-CHA	ZPD03 Chamber Assembly Complete	1
8A		ZPD03 Chamber Top	1
8B		ZPD03 Piston	1
8C		ZPD03 Division Plate	1
8D		ZPD03 Chamber Bottom	1
8E		ZPD03 Chamber Outlet O-Ring	1
9	ZPD03-STR	ZPD03 Strainer	1
10	PPD03-BPL-GSKT	PPD03 Bottom Plate Gasket	1
11	151683	PPD03 Bottom Plate Liner	1
12-B	PPD03-BPL-B	PPD03 Bottom Plate, Brass	1
12-C	PPD03-BPL-C	PPD03 Bottom Plate, Cast Iron	1
13	37N75WSHS	Washer Flat SS 3/8 x 3/4	4
14	37C112HCSS	Bolt Hex Cap SS 3/8-16 x 1.12	4

## ZENNER Positive Displacement Type Cold Water Meters

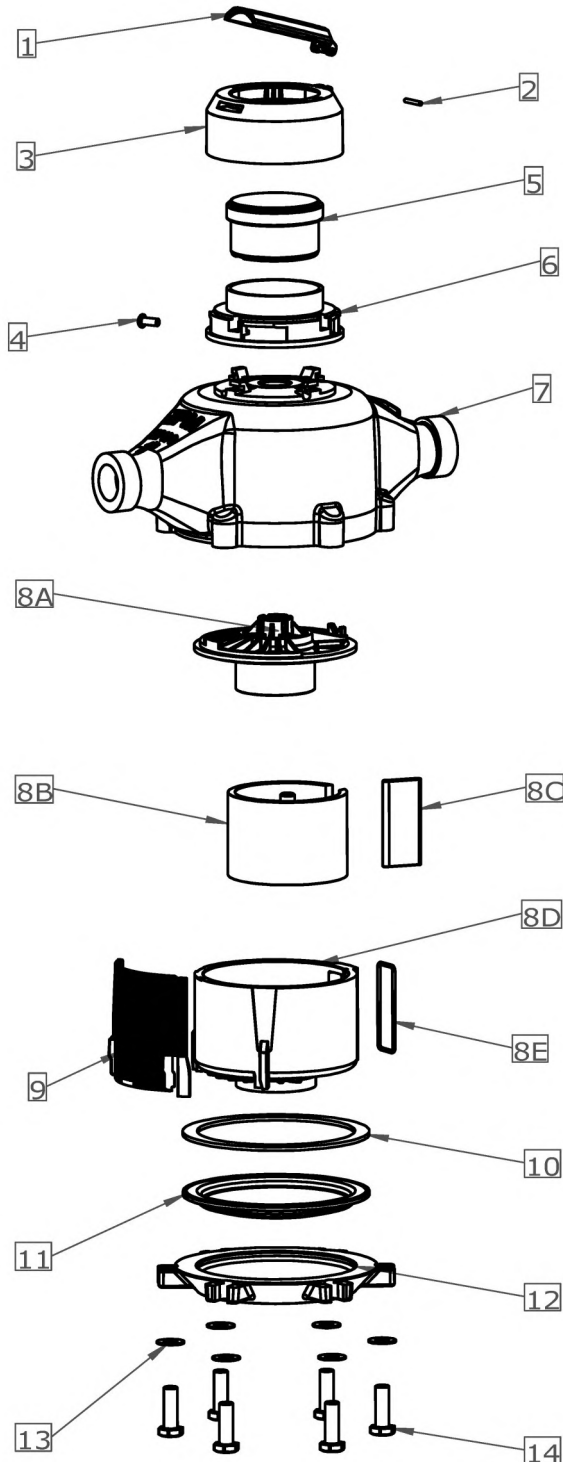
Parts List for Models PPD04, PPD05 (Sizes 3/4X3/4, 3/4X1)



ITEM	PART NUMBER	DESCRIPTION	QTY
1-B	PM-RCVR-XB	Register Cover, Brass	1
1-P	ZM-RCVR-XP	Register Cover, Plastic	1
1-BE	ZM-RCVR-EB	Register Cover, Brass, ETRU	1
1-PE	136697	Register Cover, Plastic, ETRU	1
2-B	PINDOBR-098-100	Register Cover Hinge Pin (for brass)	1
2-P	ZM-RCVR-PIN	Register Cover Hinge Pin (for plastic)	1
3-B	ZM-SHR-B	Register Shroud, Brass	1
3-P	ZM-SHR-P	Register Shroud, Plastic	1
4-CF	RTK03-REG-CF	Register, 3/4 RTK-PPD, Cubic Feet	1
4-CM	RTK03-REG-CM	Register, 3/4 RTK-PPD, Cubic Meters	1
4-US	RTK03-REG-US	Register, 3/4 RTK-PPD, U.S. Gallons	1
5	RTK-RR-SHR	Shroud Retaining Ring	1
6	.05C15CPSS-T	Tamper Screw Skt Pan M5-0.8 X 15	1
7-04	PPD04-HSG	PPD04 Housing, 3/4 X 3/4	1
7-05	PPD05-HSG	PPD05 Housing, 3/4 X 1	1
8	ZPD03-CHA	ZPD03 Chamber Assembly Complete	1
8A		ZPD03 Chamber Top	1
8B		ZPD03 Piston	1
8C		ZPD03 Division Plate	1
8D		ZPD03 Chamber Bottom	1
8E		ZPD03 Chamber Outlet O-Ring	1
9	ZPD03-STR	ZPD03 Strainer	1
10	PPD03-BPL-GSKT	PPD03 Bottom Plate Gasket	1
11	151683	PPD03 Bottom Plate Liner	1
12-B	PPD03-BPL-B	PPD03 Bottom Plate, Brass	1
12-C	PPD03-BPL-C	PPD03 Bottom Plate, Cast Iron	1
13	37N75WSHS	Washer Flat SS 3/8 x 3/4	4
14	37C112HCSS	Bolt Hex Cap SS 3/8-16 x 1.12	4

## ZENNER Positive Displacement Type Cold Water Meters

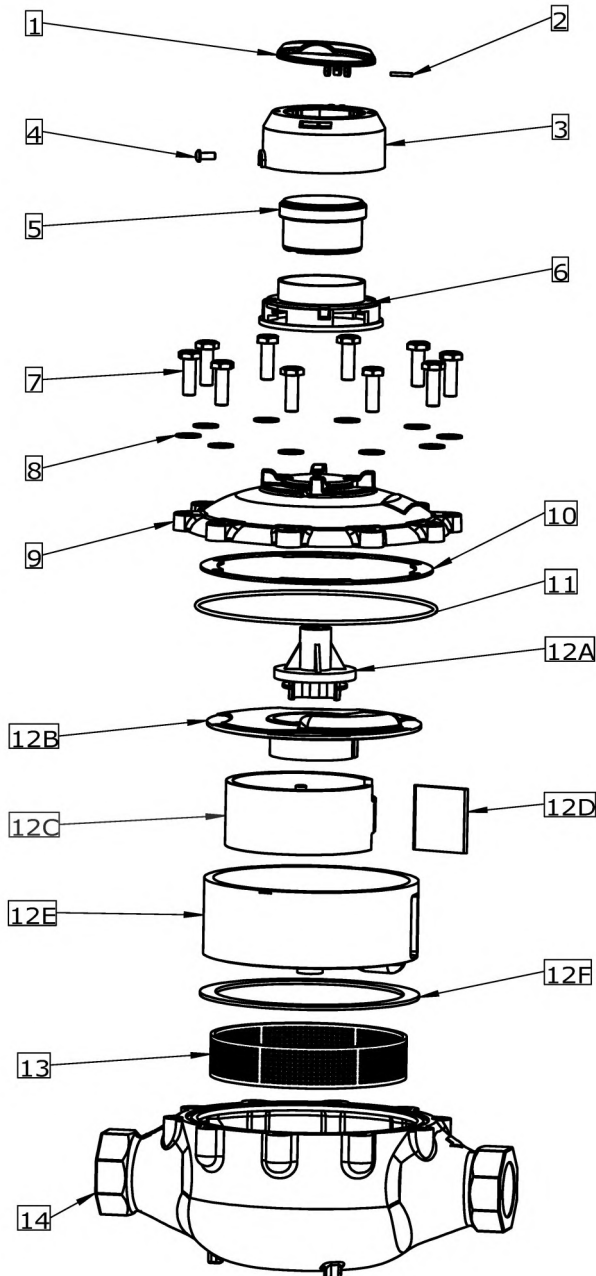
### Parts List for Model PPD07 (Size 1")



ITEM	PART NUMBER	DESCRIPTION	QTY
1-B	PM-RCVR-XB	Register Cover, Brass	1
1-P	ZM-RCVR-XP	Register Cover, Plastic	1
1-BE	ZM-RCVR-EB	Register Cover, Brass, ETRU	1
1-PE	136697	Register Cover, Plastic, ETRU	1
2-B	PINDOBR-098-100	Register Cover Hinge Pin (for brass)	1
2-P	ZM-RCVR-PIN	Register Cover Hinge Pin (for plastic)	1
3-B	ZM-SHR-B	Register Shroud, Brass	1
3-P	ZM-SHR-P	Register Shroud, Plastic	1
4-CF	RTK07-REG-CF	Register, 1 RTK-PPD, Cubic Feet	1
4-CM	RTK07-REG-CM	Register, 1 RTK-PPD, Cubic Meters	1
4-US	RTK07-REG-US	Register, 1 RTK-PPD, U.S. Gallons	1
5	RTK-RR-SHR	Shroud Retaining Ring	1
6	.05C15CPSS-T	Tamper Screw Skt Pan M5-0.8 X 15	1
7	PPD07-HSG	PPD07 Housing, 1"	1
8	ZPD07-CHA	ZPD07 Chamber Assembly Complete	1
8A		ZPD07 Chamber Top	1
8B		ZPD07 Piston	1
8C		ZPD07 Division Plate	1
8D		ZPD07 Chamber Bottom	1
8E		ZPD07 Chamber Outlet O-Ring	1
9	ZPD07-STR	ZPD07 Strainer	1
10	PPD07-BPL-GSKT	PPD07 Bottom Plate Gasket	1
11	PPD07-BPL-LINER	PPD07 Bottom Plate Liner	1
12-B	PPD07-BPL-B	PPD07 Bottom Plate, Brass	1
12-C	PPD07-BPL-C	PPD07 Bottom Plate, Cast Iron	1
13	37N75WSHS	Washer Flat SS 3/8 x 3/4	6
14	37C112HCSS	Bolt Hex Cap SS 3/8-16 x 1.12	6

## ZENNER Positive Displacement Type Cold Water Meters

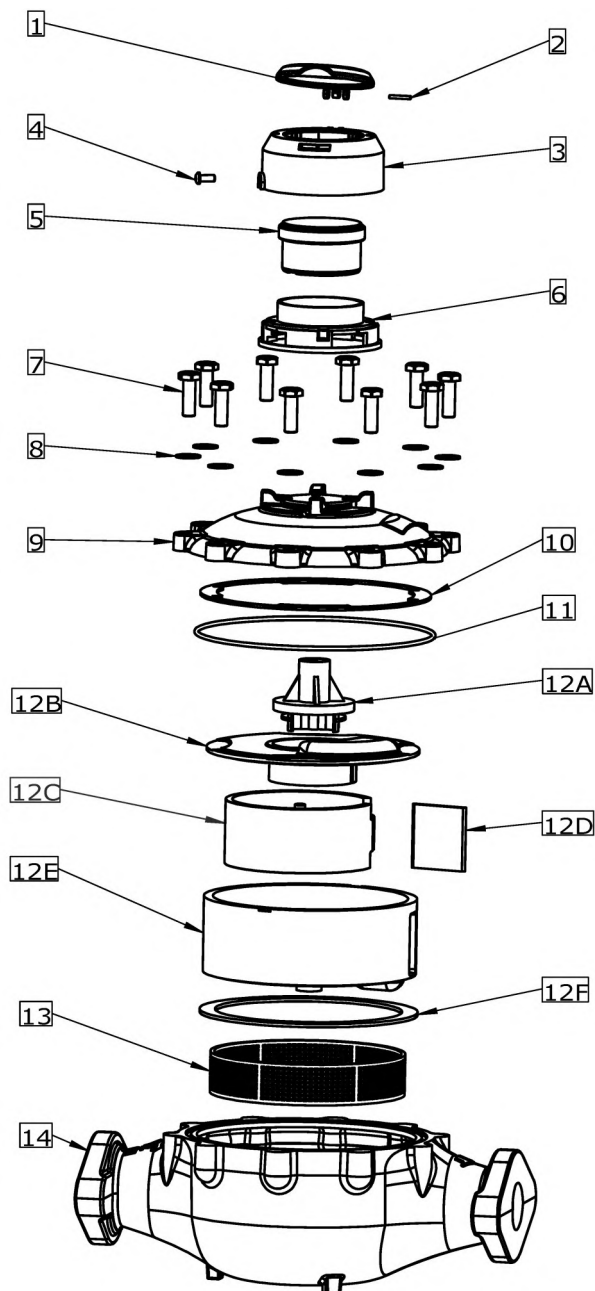
### Parts List for Model PPD08 (Size 1-1/2" with Threaded Ends)



ITEM	PART NUMBER	DESCRIPTION	QTY
1-B	PM-RCVR-XB	Register Cover, Brass	1
1-P	ZM-RCVR-XP	Register Cover, Plastic	1
1-BE	ZM-RCVR-EB	Register Cover, Brass, ETRU	1
1-PE	136697	Register Cover, Plastic, ETRU	1
2-B	PINDOBR-098-100	Register Cover Hinge Pin (for brass)	1
2-P	ZM-RCVR-PIN	Register Cover Hinge Pin (for plastic)	1
3-B	ZM-SHR-B	Register Shroud, Brass	1
3-P	ZM-SHR-P	Register Shroud, Plastic	1
4	.05C15CPSS-T	Tamper Screw Skt Pan M5-0.8 X 15	1
5-CF	RTK09-REG-CF	Register, 1-1/2 RTK-PPD, Cubic Feet	1
5-CM	RTK09-REG-CM	Register, 1-1/2 RTK-PPD, Cubic Meters	1
5-US	RTK09-REG-US	Register, 1-1/2 RTK-PPD, U.S. Gallons	1
6	RTK-RR-SHR	Shroud Retaining Ring	1
7	37C112HCSS	Bolt Hex Cap SS 3/8-16 x 1.12	10
8	37N75WSHS	Washer Flat SS 3/8 x 3/4	10
9	PPD09-UHSG	PPD09 Upper Housing, 1-1/2"	1
10	140292	PPD09 Main Housing Gasket	1
11	143762	PPD09 Main Housing O-Ring	1
12	PPD09-CHA	PPD09 Chamber Assembly Complete	1
12A		PPD09 Piston Connector	1
12B		PPD09 Chamber Top	1
12C		PPD09 Piston	1
12D		PPD09 Division Plate	1
12E		PPD09 Chamber Bottom	1
12F	142756	PPD09 Chamber Gasket	1
13	140290	PPD09 Strainer	1
14	PPD08-HSG	PPD08 Housing, 1-1/2", Threaded Ends	1

## ZENNER Positive Displacement Type Cold Water Meters

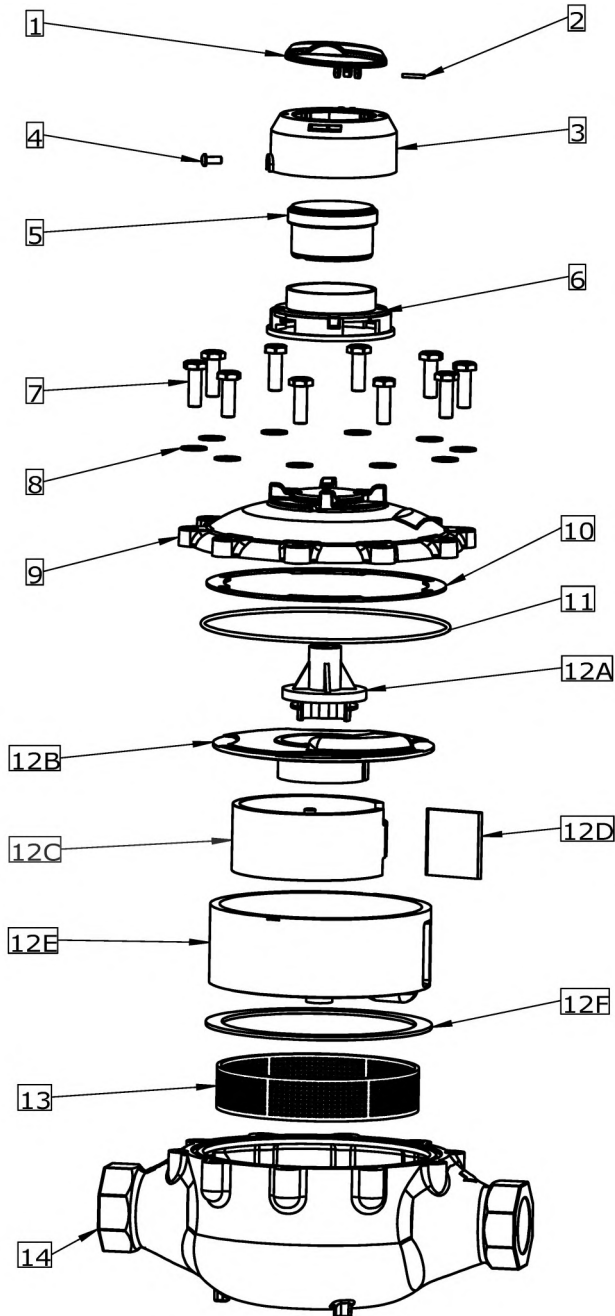
Parts List for Model PPD09 (Size 1-1/2" with Flanged Ends)



ITEM	PART NUMBER	DESCRIPTION	QTY
1-B	PM-RCVR-XB	Register Cover, Brass	1
1-P	ZM-RCVR-XP	Register Cover, Plastic	1
1-BE	ZM-RCVR-EB	Register Cover, Brass, ETRU	1
1-PE	136697	Register Cover, Plastic, ETRU	1
2-B	PINDOBR-098-100	Register Cover Hinge Pin (for brass)	1
2-P	ZM-RCVR-PIN	Register Cover Hinge Pin (for plastic)	1
3-B	ZM-SHR-B	Register Shroud, Brass	1
3-P	ZM-SHR-P	Register Shroud, Plastic	1
4	.05C15CPSS-T	Tamper Screw Skt Pan M5-0.8 X 15	1
5-CF	RTK09-REG-CF	Register, 1-1/2 RTK-PPD, Cubic Feet	1
5-CM	RTK09-REG-CM	Register, 1-1/2 RTK-PPD, Cubic Meters	1
5-US	RTK09-REG-US	Register, 1-1/2 RTK-PPD, U.S. Gallons	1
6	RTK-RR-SHR	Shroud Retaining Ring	1
7	37C112HCSS	Bolt Hex Cap SS 3/8-16 x 1.12	10
8	37N75WSHS	Washer Flat SS 3/8 x 3/4	10
9	PPD09-UHSG	PPD09 Upper Housing, 1-1/2"	1
10	140292	PPD09 Main Housing Gasket	1
11	143762	PPD09 Main Housing O-Ring	1
12	PPD09-CHA	PPD09 Chamber Assembly Complete	1
12A		PPD09 Piston Connector	1
12B		PPD09 Chamber Top	1
12C		PPD09 Piston	1
12D		PPD09 Division Plate	1
12E		PPD09 Chamber Bottom	1
12F	142756	PPD09 Chamber Gasket	1
13	140290	PPD09 Strainer	1
14-08	PPD08-HSG	PPD08 Housing, 1-1/2", Threaded Ends	1
14-09	PPD09-HSG	PPD09 Housing, 1-1/2", Flanged Ends	1
14-09T	PPD09T-HSG	PPD09 Housing, 1-1/2", Flanged, with 1" Test Port	1
15	B-CSP05LF	Test Port Plug, 1" MIP, Brass (PPD09T Only)	1

## ZENNER Positive Displacement Type Cold Water Meters

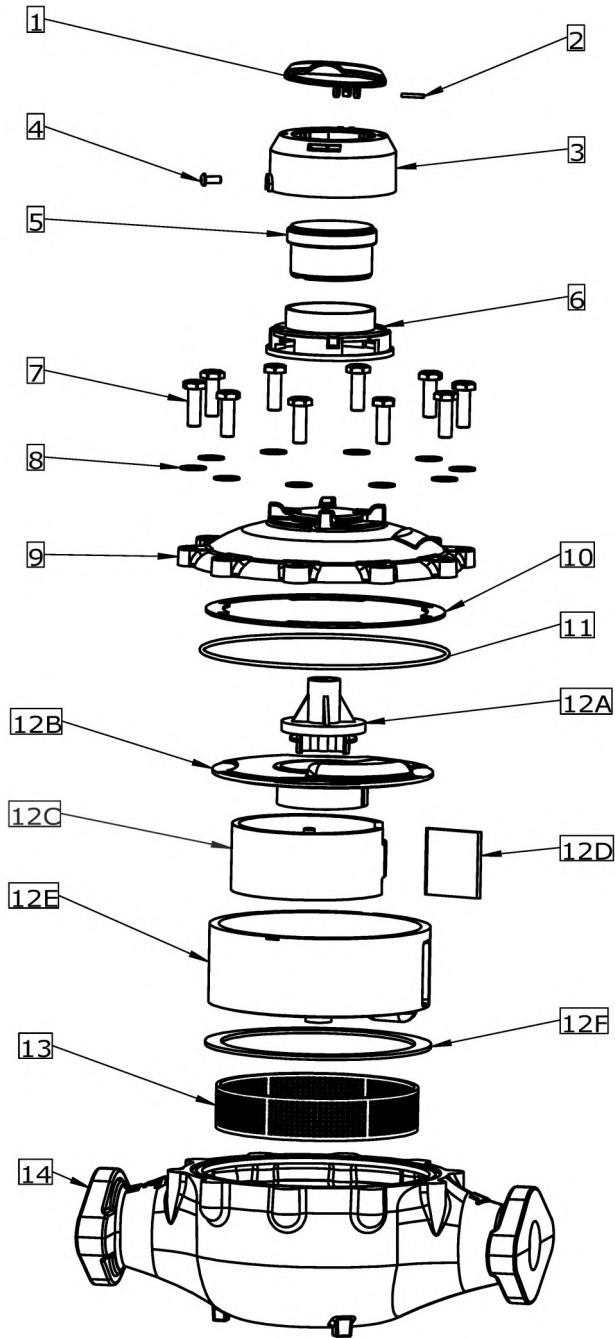
### Parts List for Model PPD11 (Size 2" with Threaded Ends)



ITEM	PART NUMBER	DESCRIPTION	QTY
1-B	PM-RCVR-XB	Register Cover, Brass	1
1-P	ZM-RCVR-XP	Register Cover, Plastic	1
1-BE	ZM-RCVR-EB	Register Cover, Brass, ETRU	1
1-PE	136697	Register Cover, Plastic, ETRU	1
2-B	PINDOBR-098-100	Register Cover Hinge Pin (for brass)	1
2-P	ZM-RCVR-PIN	Register Cover Hinge Pin (for plastic)	1
3-B	ZM-SHR-B	Register Shroud, Brass	1
3-P	ZM-SHR-P	Register Shroud, Plastic	1
4	.05C15CPSS-T	Tamper Screw Skt Pan M5-0.8 X 15	1
5-CF	RTK12-REG-CF	Register, 2" PPD-RTK, Cubic Feet	1
5-CM	RTK12-REG-CM	Register, 2" PPD-RTK, Cubic Meters	1
5-US	RTK12-REG-US	Register, 2" PPD-RTK, U.S.Gallons	1
6	RTK-RR-SHR	Shroud Retaining Ring	1
7	37C112HCSS	Bolt Hex Cap SS 3/8-16 x 1.12	12
8	37N75WSHS	Washer Flat SS 3/8 x 3/4	12
9	PPD12-UHSG	PPD12 Upper Housing, 2"	1
10	140293	RTK-PPD12 Main Housing Gasket	1
11	143281	RTK-PPD12 Main Housing O-Ring	1
12	PPD12-CHA	PPD12 Chamber Assembly Complete	1
12A		PPD12 Piston Connector	1
12B		PPD12 Chamber Top	1
12C		PPD12 Piston	1
12D		PPD12 Division Plate	1
12E		PPD12 Chamber Bottom	1
12F	142757	PPD12 Chamber Gasket	1
13	140291	PPD12 Strainer	1
14-08	PPD11-HSG	PPD11 Housing, 2", Threaded Ends	1

## ZENNER Positive Displacement Type Cold Water Meters

### Parts List for Model PPD12 (Size 2" with Flanged Ends)



ITEM	PART NUMBER	DESCRIPTION	QTY
1-B	PM-RCVR-XB	Register Cover, Brass	1
1-P	ZM-RCVR-XP	Register Cover, Plastic	1
1-BE	ZM-RCVR-EB	Register Cover, Brass, ETRU	1
1-PE	136697	Register Cover, Plastic, ETRU	1
2-B	PINDOBR-098-100	Register Cover Hinge Pin (for brass)	1
2-P	ZM-RCVR-PIN	Register Cover Hinge Pin (for plastic)	1
3-B	ZM-SHR-B	Register Shroud, Brass	1
3-P	ZM-SHR-P	Register Shroud, Plastic	1
4	.05C15CPSS-T	Tamper Screw Skt Pan M5-0.8 X 15	1
5-CF	RTK12-REG-CF	Register, 2" PPD-RTK, Cubic Feet	1
5-CM	RTK12-REG-CM	Register, 2" PPD-RTK, Cubic Meters	1
5-US	RTK12-REG-US	Register, 2" PPD-RTK, U.S. Gallons	1
6	RTK-RR-SHR	Shroud Retaining Ring	1
7	37C112HCSS	Bolt Hex Cap SS 3/8-16 x 1.12	12
8	37N75WSHS	Washer Flat SS 3/8 x 3/4	12
9	PPD12-UHSG	PPD12 Upper Housing, 2"	1
10	140293	RTK-PPD12 Main Housing Gasket	1
11	143281	RTK-PPD12 Main Housing O-Ring	1
12	PPD12-CHA	PPD12 Chamber Assembly Complete	1
12A		PPD12 Piston Connector	1
12B		PPD12 Chamber Top	1
12C		PPD12 Piston	1
12D		PPD12 Division Plate	1
12E		PPD12 Chamber Bottom	1
12F	142757	PPD12 Chamber Gasket	1
13	140291	PPD12 Strainer	1
14-09	PPD12-HSG	PPD12 Housing, 2", Flanged Ends	1
14-09T	PPD12T-HSG	PPD12 Housing, 2", Flanged, with 1" Test Port	1
15	B-CSP05LF	Test Port Plug, 1" MIP, Brass (PPD12T Only)	1