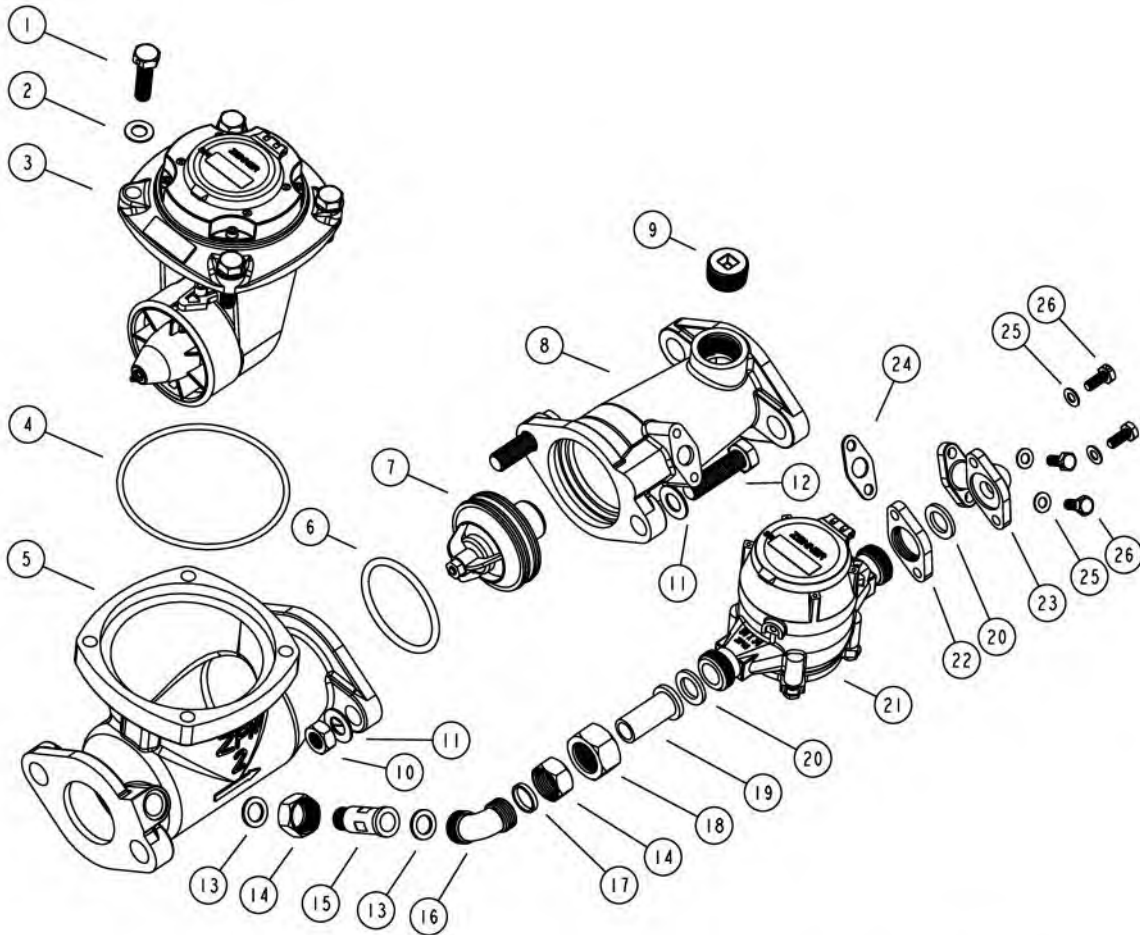


## ZENNER Bronze Compound Meters

Model PMCB02 (Size 2")



PMCB02 PARTS LIST		
NO.	DESCRIPTION	QTY
1	BOLT, HEX, M12, SS	4
2	WASHER, FLAT, M12, SS	4
3	PMT02 MEASURING ELEMENT AND REG ASSY	1
4	O-RING, MEASURING ELEMENT	1
5	PMCB02 TURBINE METER HOUSING, BRASS	1
6	O-RING, CHECK VALVE HOUSING SEAL	1
7	PMCB02 CHECK VALVE ASSEMBLY	1
8	PMCB02 CHECK VALVE HOUSING, BRASS	1
9	PIPE PLUG, 1", BRASS	1
10	NUT, HEX, M16, SS	2
11	WASHER, FLAT, M16, SS	4
12	BOLT, HEX, M16, SS	2
13	COUPLING GASKET 1/2"	2
14	COUPLING NUT 1/2"	2

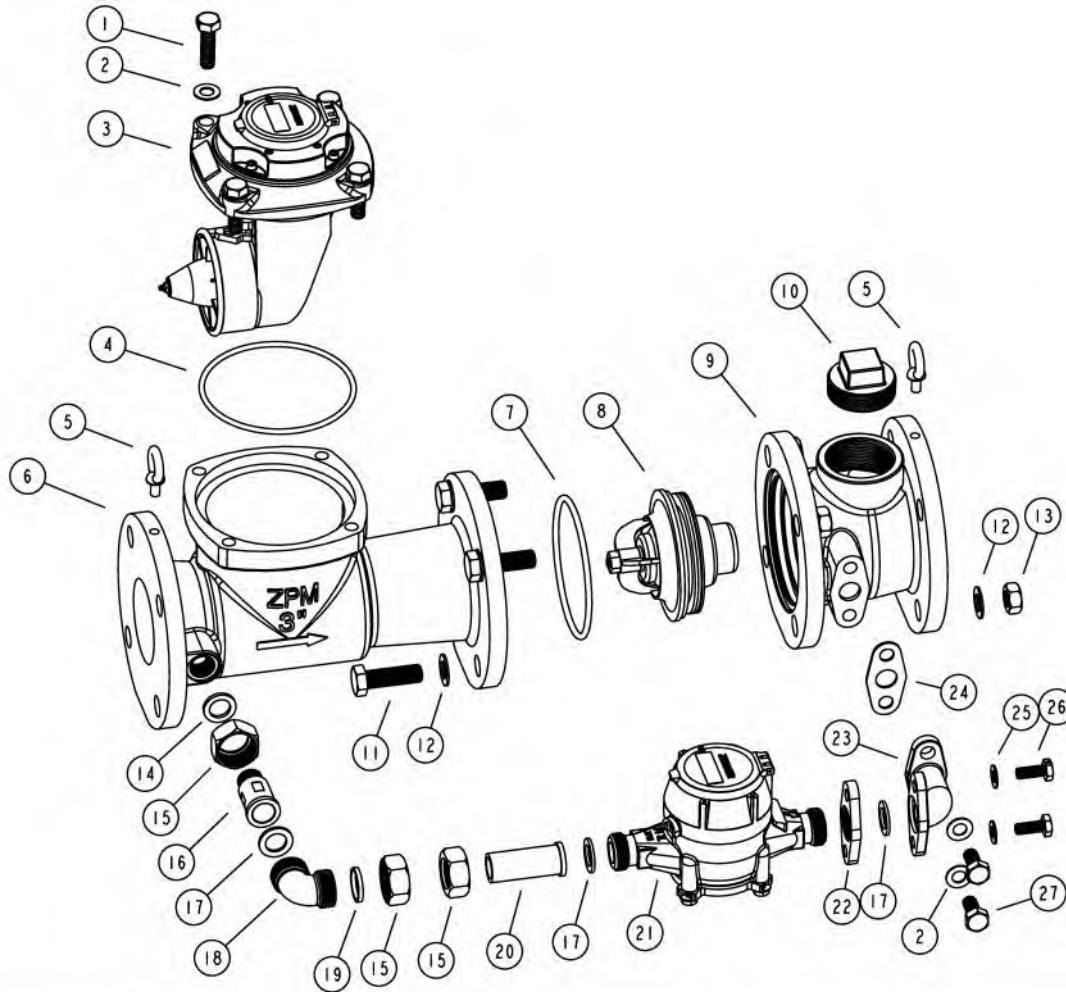
PMCB02 PARTS LIST (CONT.)		
NO.	DESCRIPTION	QTY
15	COUPLING TAIL PIECE 1/2" SPECIAL	1
16	ELBOW 1/2" W/SLIP JOINT	1
17	GASKET PACKING MATERIAL	1
18	COUPLING NUT 3/4"	1
19	COUPLING TAIL PIECE 3/4" W/SLIP JOINT	1
20	COUPLING GASKET 3/4"	1
21	5/8 X 3/4 PMN02 NITRO I WATER METER	1
22	2 BOLT FLANGE 3/4" THREADED, SPECIAL	1
23	ELBOW 3/4" W/ 2 BOLT FLANGES	1
24	FLANGE GASKET, 2 BOLT, SPECIAL	1
25	WASHER, FLAT, M8, SS	4
26	BOLT, HEX, M8, SS	4

### ZENNER USA

15280 Addison Rd #240, Addison, TX 75001  
 Phone (972) 386-6611, Fax (972) 386-1814  
[www.zennerusa.com](http://www.zennerusa.com)

## ZENNER Bronze Compound Meters

Model PMCB03 (Size 3")



PMCB03 PARTS LIST		
NO.	DESCRIPTION	QTY
1	BOLT, HEX, M12, SS	4
2	WASHER, FLAT, M12, SS	6
3	PMT03 MEASURING ELEMENT AND REG ASSY	1
4	O-RING, MEASURING ELEMENT	1
5	EYE BOLT, M8	2
6	PMCB03 TURBINE METER HOUSING	1
7	O-RING, CHECK VALVE HOUSING SEAL	1
8	PMCB03 CHECK VALVE ASSEMBLY	1
9	PMCB03 CHECK VALVE HOUSING	1
10	PIPE PLUG 2"	1
11	BOLT, HEX, M16, SS	4
12	WASHER, FLAT, M16, SS	8
13	NUT, HEX, M16, SS	4
14	COUPLING GASKET, SPECIAL	1

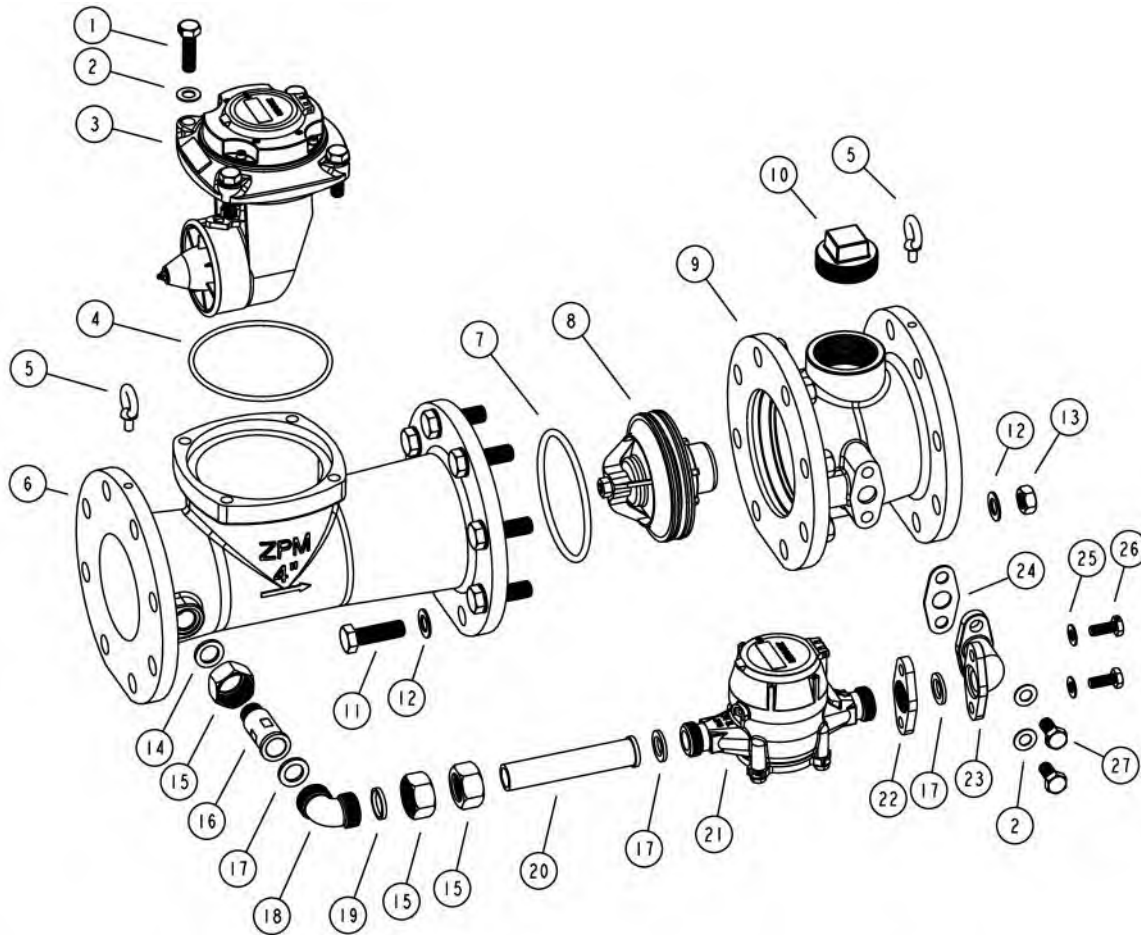
PMCB03 PARTS LIST (CONT.)		
NO.	DESCRIPTION	QTY
15	COUPLING NUT 3/4"	3
16	COUPLING TAIL PIECE 3/4" SPECIAL	1
17	COUPLING GASKET 3/4"	3
18	ELBOW 3/4" W/SLIP JOINT	1
19	GASKET PACKING MATERIAL	1
20	COUPLING TAIL PIECE 3/4" W/SLIP JOINT	1
21	3/4"SL PMN03 NITRO I WATER METER	1
22	2 BOLT FLANGE 3/4" THREADED, SPECIAL	1
23	ELBOW 3/4" W/ 2 BOLT FLANGES	1
24	FLANGE GASKET, 2 BOLT, SPECIAL	1
25	WASHER, FLAT, M10, SS	2
26	BOLT, HEX, M10, SS	2
27	BOLT, HEX, M12, SS	2

### ZENNER USA

15280 Addison Rd #240, Addison, TX 75001  
 Phone (972) 386-6611, Fax (972) 386-1814  
 www.zennerusa.com

## ZENNER Bronze Compound Meters

Model PMCB04 (Size 4")



PMCB04 PARTS LIST		
NO.	DESCRIPTION	QTY
1	BOLT, HEX, M12, SS	4
2	WASHER, FLAT, M12, SS	6
3	PMT04 MEASURING ELEMENT AND REG ASSY	1
4	O-RING, MEASURING ELEMENT	1
5	EYE BOLT, M8	2
6	PMCB04 TURBINE METER HOUSING	1
7	O-RING, CHECK VALVE HOUSING SEAL	1
8	PMCB04 CHECK VALVE ASSEMBLY	1
9	PMCB04 CHECK VALVE HOUSING	1
10	PIPE PLUG 2"	1
11	BOLT, HEX, M16, SS	8
12	WASHER, FLAT, M16, SS	16
13	NUT, HEX, M16, SS	8
14	COUPLING GASKET, SPECIAL	1

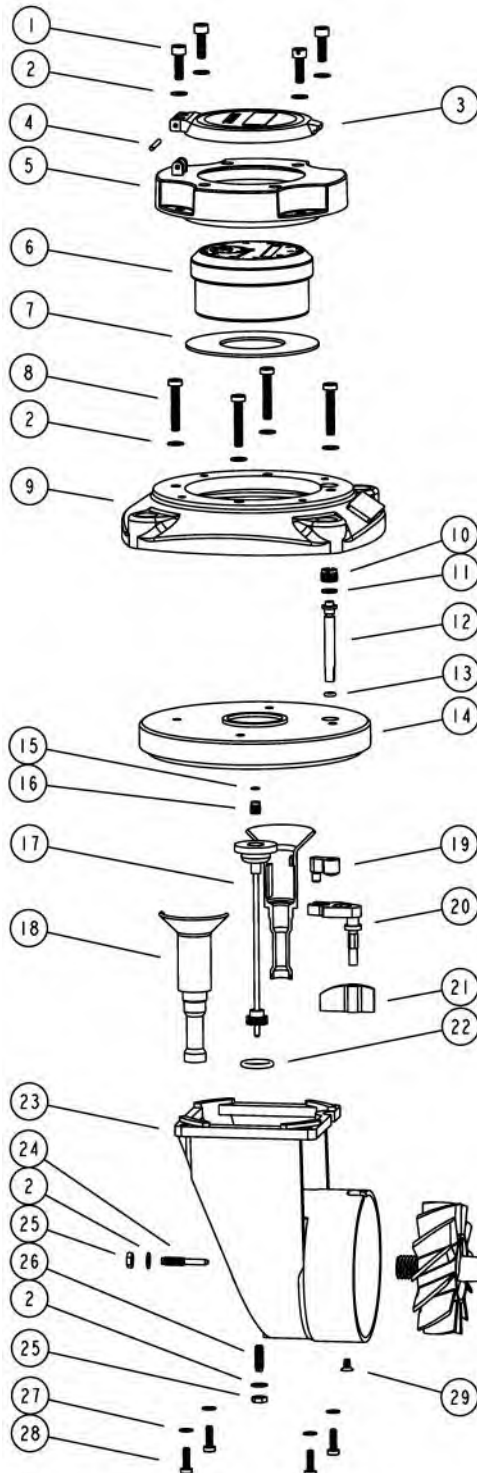
PMCB04 PARTS LIST (CONT.)		
NO.	DESCRIPTION	QTY
15	COUPLING NUT 3/4"	1
16	COUPLING TAIL PIECE 3/4" SPECIAL	1
17	COUPLING GASKET 3/4"	3
18	ELBOW 3/4" W/SLIP JOINT	1
19	GASKET PACKING MATERIAL	1
20	COUPLING TAIL PIECE 3/4" W/SLIP JOINT	1
21	3/4"SL PMN03 NITRO 1 WATER METER	1
22	2 BOLT FLANGE 3/4" THREADED, SPECIAL	1
23	ELBOW 3/4" W/ 2 BOLT FLANGES	1
24	FLANGE GASKET, 2 BOLT, SPECIAL	1
25	WASHER, FLAT, M10, SS	2
26	BOLT, HEX, M10, SS	2
27	BOLT, HEX, M12, SS	2

### ZENNER USA

15280 Addison Rd #240, Addison, TX 75001  
 Phone (972) 386-6611, Fax (972) 386-1814  
[www.zennerusa.com](http://www.zennerusa.com)

## ZENNER Bronze Compound Meters

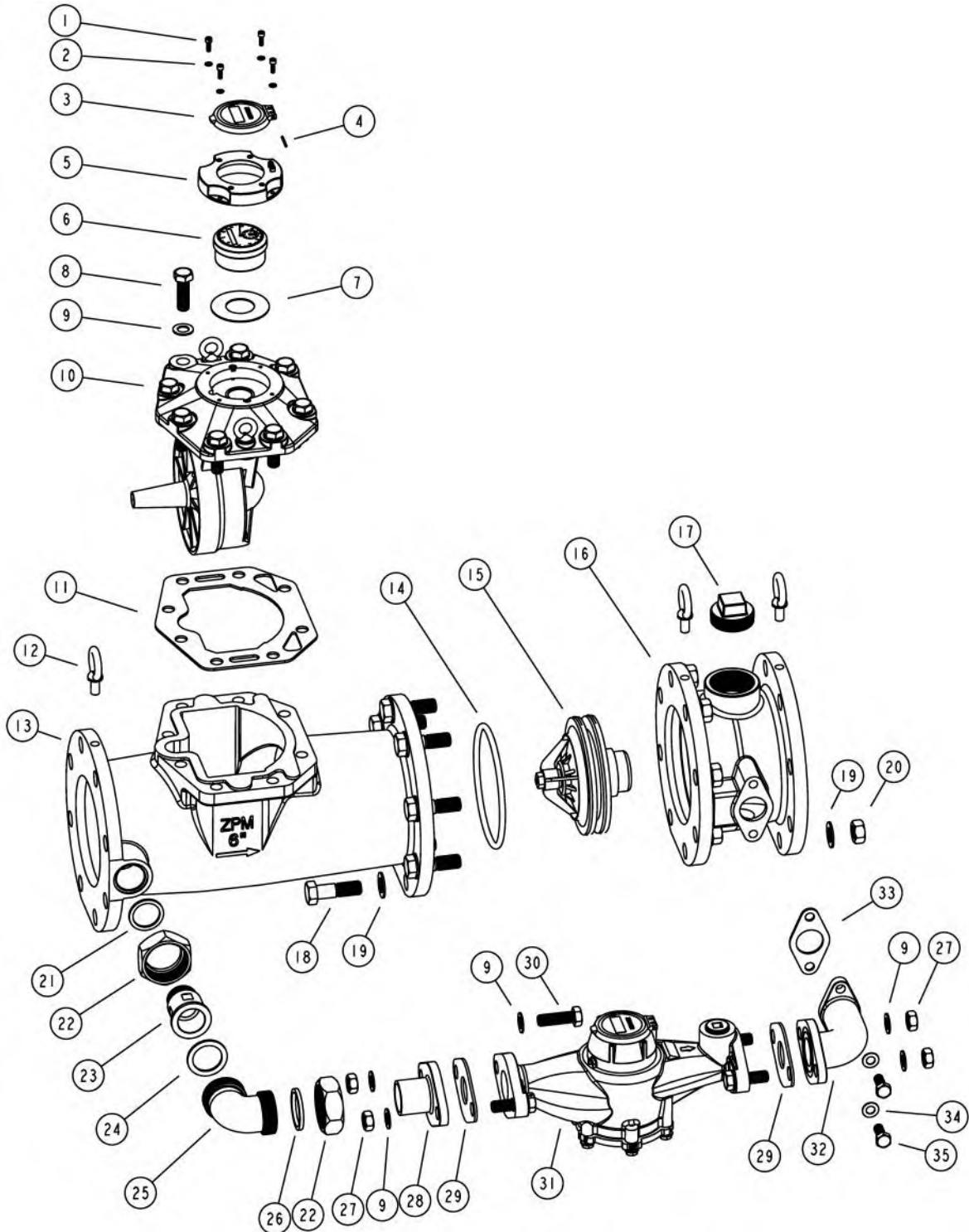
Models PMCB02, PMCB03, PMCB04 (Sizes 2", 3", 4")



**PMCB TURBINE MEASURING ELEMENT PARTS LIST FOR PMCB02, PMCB03 AND PMCB04 COMPOUND METERS**

NO.	DESCRIPTION	QTY
1	SCREW, SOCKET, CAP, M5, SS	4
2	WASHER, LOCKING, M5	11
3	REGISTER COVER, BRASS	1
4	REGISTER COVER HINGE PIN	1
5	REGISTER RETAINING RING, BRASS	1
6	REGISTER (US, CF OR CM)	1
7	MAGNET BARRIER RING	1
8	SCREW, SLOTTED, M5, SS	4
9	COVER PLATE, BRASS	1
10	CALIBRATION SHAFT LOCK	1
11	GASKET, CALIBRATION SHAFT LOCK	1
12	CALIBRATION SHAFT	1
13	O-RING, CALIBRATION SHAFT	1
14	MEASURING ELEMENT MOUNTING PLATE	1
15	SPACER, UPPER TRANSMISSION BEARING	1
16	UPPER TRANSMISSION BEARING WITH JEWEL	1
17	TRANSMISSION COUPLING SHAFT	1
18	TRANSMISSION COUPLING HOUSING	2
19	CALIBRATION SHAFT PIVOT	1
20	CALIBRATION VANE ARM, SS	1
21	CALIBRATION VANE, SS	1
22	O-RING, TRANSMISSION COUPLING HOUSING	1
23	MEASURING ELEMENT CAGE	1
24	ROTOR BEARING WITH CARBIDE TIP	2
25	NUT, HEX, BEARING ASSY	3
26	LOWER TRANSMISSION BEARING WITH JEWEL	1
27	WASHER, LOCKING, M4	4
28	SCREW, SLOTTED, M4, SS	4
29	SCREW, FLAT HEAD, M4, SS	1
30	ROTOR WITH JEWEL AT BOTH ENDS	1
31	STRAIGHTENING VANE	1
32	O-RING, FRONT SEAL (PCMB02 AND PCMB03 ONLY)	1

## ZENNER Bronze Compound Meters Model PMCB06 (Size 6")

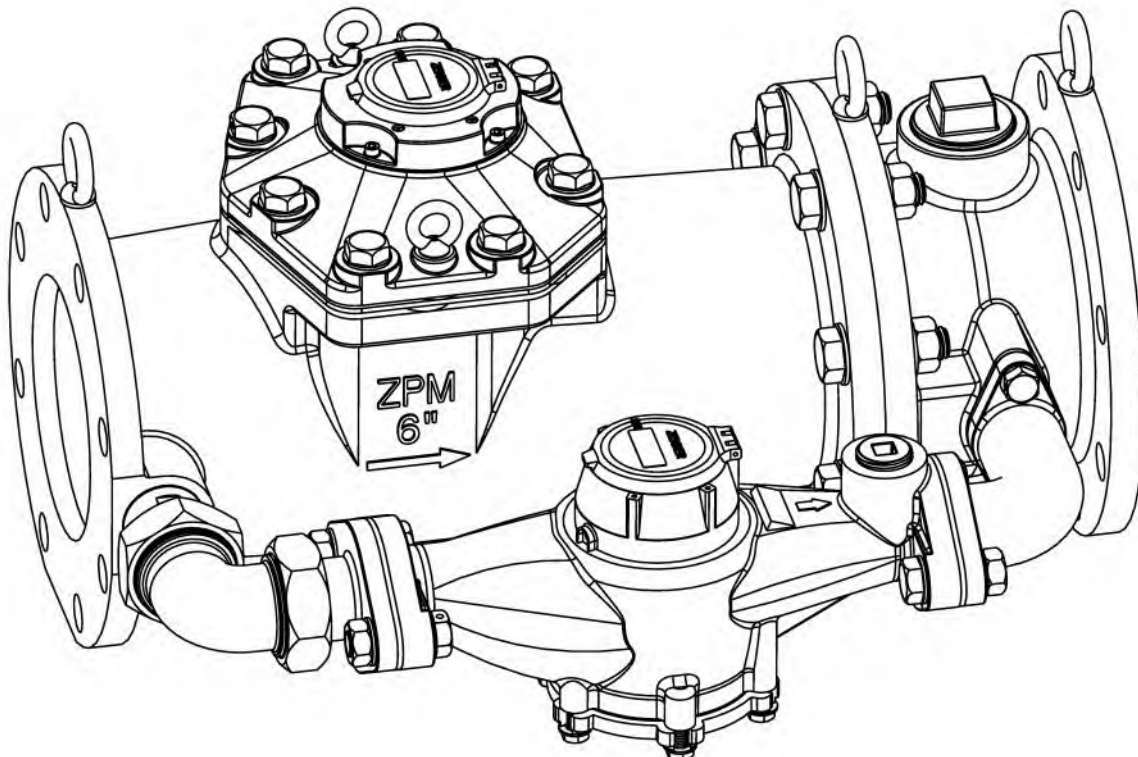


## ZENNER Bronze Compound Meters

Model PMCB06 (Size 6")

PMCB06 PARTS LIST		
NO.	DESCRIPTION	QTY
1	SCREW, ALLEN, M5, SS	4
2	WASHER, LOCKING, M5	4
3	REGISTER COVER, BRASS	1
4	REGISTER COVER HINGE PIN	1
5	REGISTER RETAINING RING, BRASS	1
6	REGISTER (CF, CM OR US)	1
7	MAGNET BARRIER RING	1
8	BOLT, HEX, M16, SS	8
9	WASHER, FLAT, M16, SS	16
10	PMT06 TURBINE MEASURING ELEMENT ASSY	1
11	COVER PLATE GASKET	1
12	EYE BOLT, M12	3
13	PMCB06 TURBINE METER HOUSING	1
14	O-RING, CHECK VALVE HOUSING SEAL	1
15	PMCB06 CHECK VALVE ASSEMBLY	1
16	PMCB06 CHECK VALVE HOUSING	1
17	PIPE PLUG 2"	1
18	BOLT, HEX, M20, SS	8

PMCB06 PARTS LIST (CONT.)		
NO.	DESCRIPTION	QTY
19	WASHER, FLAT, M20, SS	16
20	NUT, HEX, M16, SS	8
21	COUPLING GASKET, SPECIAL	1
22	COUPLING NUT 1-1/2"	2
23	COUPLING TAIL PIECE 1-1/2" SPECIAL	1
24	COUPLING GASKET 1-1/2"	3
25	ELBOW 1-1/2" W/SLIP JOINT	1
26	GASKET PACKING MATERIAL	1
27	NUT, HEX, M16, SS	8
28	1-1/2" TWO BOLT FLANGE W/SLIP JOINT	1
29	FLANGE GASKET, 1-1/2"	2
30	BOLT, HEX, M16, SS	4
31	1-1/2" PMN09 NITRO 1 WATER METER	1
32	ELBOW 1-1/2" W/ 2 BOLT FLANGES	1
33	FLANGE GASKET, 2 BOLT, SPECIAL	1
34	WASHER, FLAT, M12, SS	2
35	BOLT, HEX, M12, SS	2

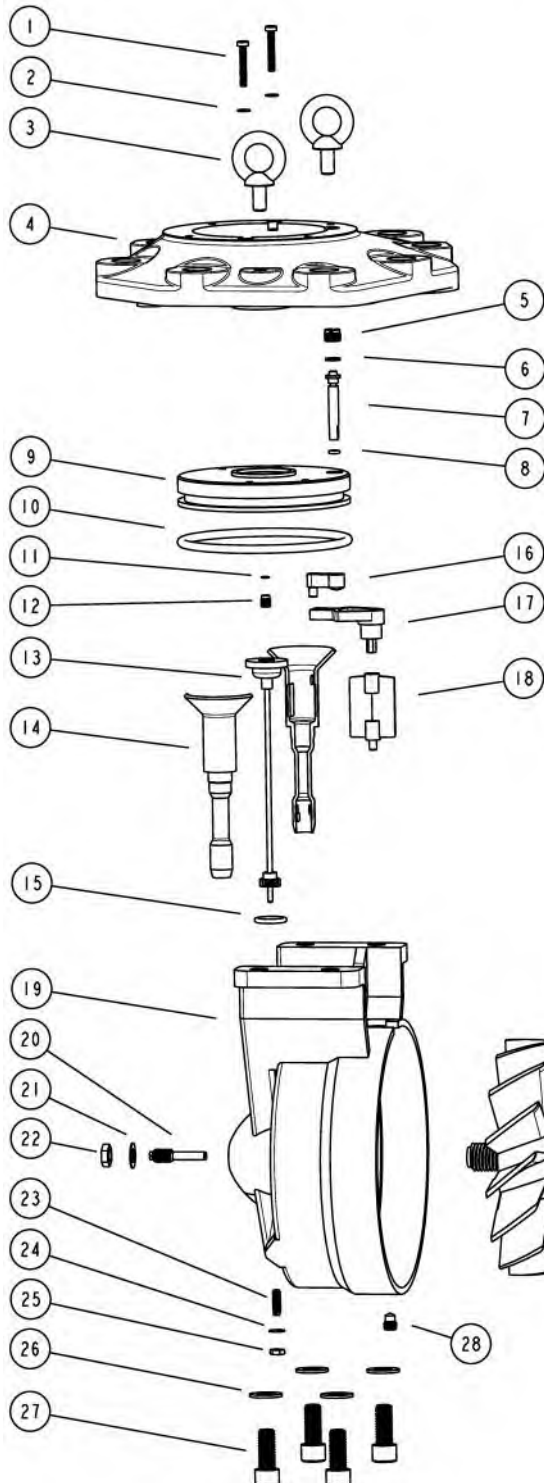


### ZENNER USA

15280 Addison Rd #240, Addison, TX 75001  
Phone (972) 386-6611, Fax (972) 386-1814  
www.zennerusa.com

## ZENNER Bronze Compound Meters

Model PMCB06 (Size 6")



TURBINE METER MEASURING ELEMENT PARTS LIST FOR MODEL PMCB06		
NO.	DESCRIPTION	QTY
10-1	SCREW, SLOTTED, M4, SS	2
10-2	WASHER, LOCKING, M4	2
10-3	EYE BOLT, M8	2
10-4	COVER PLATE, BRASS	1
10-5	CALIBRATION SHAFT LOCK	1
10-6	GASKET, CALIBRATION SHAFT LOCK	1
10-7	CALIBRATION SHAFT	1
10-8	O-RING, CALIBRATION SHAFT	1
10-9	MEASURING ELEMENT MOUNTING PLATE	1
10-10	O-RING, MEASURING ELEMENT SEAL	1
10-11	SPACER, UPPER TRANSMISSION BEARING	1
10-12	UPPER TRANSMISSION BEARING WITH JEWEL	1
10-13	TRANSMISSION COUPLING SHAFT ASSEMBLY	1
10-14	TRANSMISSION COUPLING HOUSING	2
10-15	O-RING, TRANSMISSION COUPLING HOUSING	1
10-16	CALIBRATION SHAFT PIVOT	1
10-17	CALIBRATION VANE ARM, SS	1
10-18	CALIBRATION VANE, SS	1
10-19	MEASURING ELEMENT CAGE	1
10-20	ROTOR BEARING W/ CARBIDE TIP	2
10-21	WASHER, LOCKING, M8	2
10-22	NUT, HEX, M8	2
10-23	LOWER TRANSMISSION BEARING WITH JEWEL	1
10-24	WASHER, LOCKING, M5	1
10-25	NUT, HEX, M5	1
10-26	WASHER, FLAT, M10, SS	4
10-27	SCREW, CAP, SOCKET, M10, SS	4
10-28	SET SCREW, SLOTTED, M8, SS	1
10-29	ROTOR ASSEMBLY	1
10-30	STRAIGHTENING VANE	1