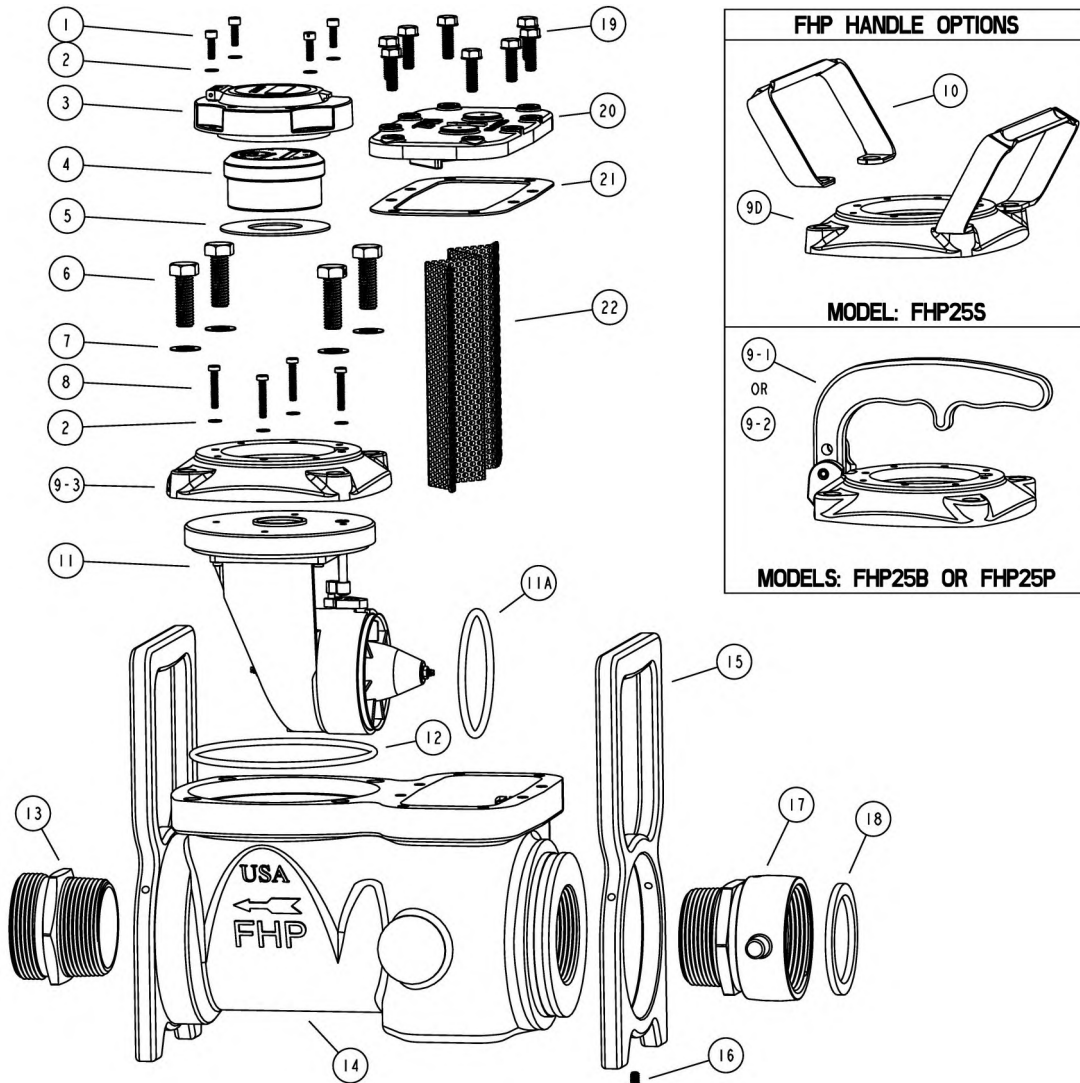


ZENNER Performance Fire Hydrant Meters Parts List for Models FHP25D, FHP25B, FHP25P, FHP25S (Size 3")

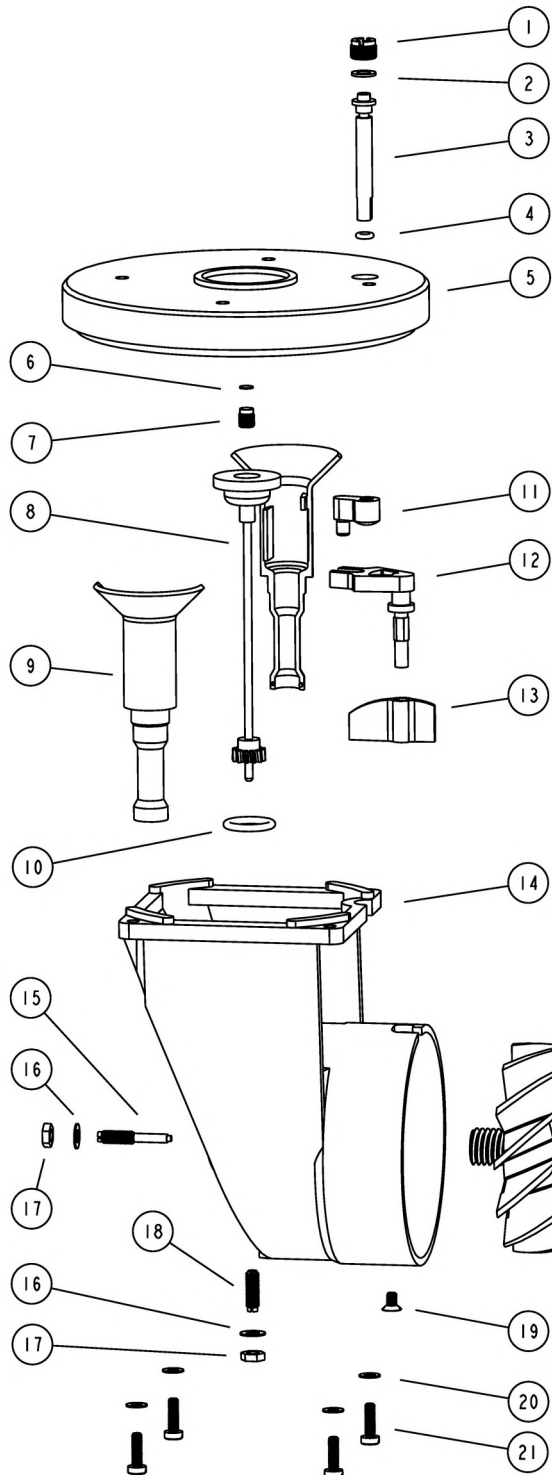
ITEM	PART NUMBER	DESCRIPTION	QTY
1A	.05C10CCSS	Screw Skt Cap SS M5-0.8 x 10	3
1B	.05C10CCSS-DH	Screw Skt Cap SS M5-0.8 x 10, D.H.	1
2	.05N10WLWC	Washer Lock Wave CU M5 x 10	8
3	PMT-CVRA-B	Cover Retaining Ring and Lid, Brass	1
4-CF	FHM03-REG-CF	Register, 3" Turbine, Cubic Feet	1
4-CM	PMT03-REG-CM	Register, 3" Turbine, Cubic Meters	1
4-US	FHM03-REG-US	Register, 3" Turbine, U.S.Gallon	1
5	PMT-MBR	Magnet Barrier Ring	1
6A	50C175HCSS	Bolt Hex Cap SS 1/2-13 x 1.75	3
6B	50C175HCSS-DH	Bolt Hex Cap SS 1/2-13 x 1.75, D.H.	1
7	AN960-C816L	Washer Flat SS .515 ID x .875 OD	4
8	.05C30MSPS	Screw Slot Pan SS M5-0.8 x 28	4
9-1	FHM-CVRPL-SB	Cover Plate Assy, Barrel Lock (FHP25B)	1
9-2	FHM-CVRPL-SP	Cover Plate Assy, Padlock (FHP25P)	1
9-3	FHM-CVRPL	Cover Plate, Flat (FHP25S or FHP25N)	1

ITEM	PART NUMBER	DESCRIPTION	QTY
10	FHM-HNDL-DS	FHM Strap Handle, SS (FHP25S)	2
11	PMT03-MEA	Turbine Meter Measuring Element, 3"	1
11A	PMT03-ME-FSOR	PMT03 MEA Front Seal O-Ring	1
12	PMT03-ORING-ME	O-Ring for Measuring Element	1
13	NP2525B	Nipple 2.5"MNST x 2.5"MIPT, Brass	1
14	FHP-HSG-2525R	Housing 2.5"FIP x 2.5"FIP w/ Restrictor	1
15	FHP-HNDL-DA	FHP Handle, Aluminum (FHP25D)	2
16	25C37CSCS	Screw Set Socket SS 1/4-20 x 3/8	6
17	SW2525B	Swivel, 2.5"FNST x 2.5"MIPT, Brass	1
18	SWGA25-187	Swivel Gasket for 2-1/2" FHM Swivel	1
19	31C100MUWS	Bolt Hex Washer SS 5/16-18 x 1	8
20	FHP-STRCVR	FHP Strainer Cover	1
21	FHP-STR-GSKT	FHP Strainer Gasket	1
22	FHP-STR-SCR	FHP Strainer Screen	1



ZENNER Performance Fire Hydrant Meters

Parts List for Models FHP25D, FHP25B, FHP25P, FHP25S (Size 3")



Measuring Element Parts List		
ITEM	DESCRIPTION	QTY
11-1	Calibration Shaft Lock	1
11-2	Calibration Shaft Gasket	1
11-3	Calibration Shaft	1
11-4	Calibration Shaft O-Ring	1
11-5	Measuring Element Mounting Plate	1
11-6	Spacer, Upper Transmission Bearing	1
11-7	Upper Transmission Bearing w/Jewel	1
11-8	Transmission Coupling Shaft Assy	1
11-9	Transmission Coupling Housing	2
11-10	O-Ring, Transmission Coupling Housing	1
11-11	Calibration Shaft Pivot	1
11-12	Calibration Vane Arm	1
11-13	Calibration Vane	1
11-14	Measuring Element Cage Assembly	1
11-15	Rotor Bearing with Carbide Tip	2
11-16	Washer Lock Wave CU M5 x 10	3
11-17	Nut Hex SS M5-0.8	3
11-18	Lower Transmission Bearing w/Jewel	1
11-19	Screw Slot Flat Hd SS M4-0.7 x 6	1
11-20	Washer Lock Wave CU M4 x 8	4
11-21	Screw Slot Pan SS M4-0.7 x 12	4
11-22	Rotor Assembly	1
11-23	Straightening Vane Assembly	1
11-24	O-Ring, ME Front Seal	1