

ZENNER Stealth Ultrasonic Residential Meters

Model: ZSUR

Sizes 5/8", 3/4" and 1"

INTRODUCTION: ZENNER Ultrasonic Residential Meters are designed for applications where high accuracy, long life and a dynamic flow range is desired. The highly advanced, all-digital technology achieves precise measurement without any moving parts, ensuring optimum revenue without compromised performance over time. These meters are used for the measurement of both potable and non-potable clean water in commercial and industrial settings and are capable of bi-directional flow measurement. The meter design has minimal head loss, decreasing pressure complaints from customers and reducing pumping costs for the utility.



OPERATION: ZENNER Ultrasonic Residential Meters use solid state, sound measuring technology to measure instantaneous flow and calculate cumulative flow volume. The LCD display has two rows. The first row shows total volume, where it is factory programmed for US Gallons, Cubic Feet or Cubic Meters. The second row displays additional information such as rate of flow, flow direction, remaining battery life, leak alarms, empty pipe alerts, etc. These meters are capable of ultra precise leak registration with low flow sensitivity as low as 1/32 GPM.

CONSTRUCTION: ZENNER Ultrasonic Residential Meters consist of three basic components: The tube, electronics & display package, and two transducers. The tube is available in either lead free bronze or stainless steel.

COMMUNICATION: ZENNER Ultrasonic Residential Meters have a universal communication protocol package capable of producing outputs compatible for use with Encoded, Pulse, or 4-20mA systems. These meters are designed to be connected to any existing AMR/AMI system.

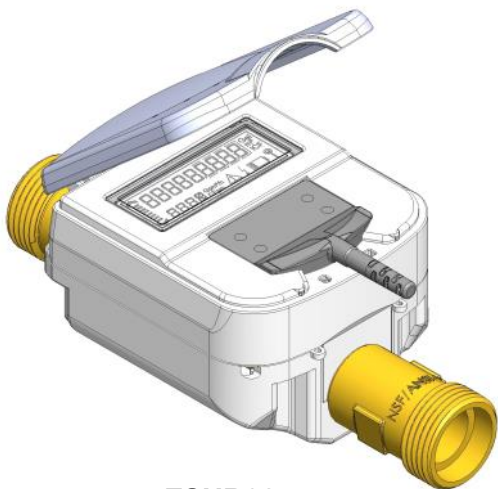
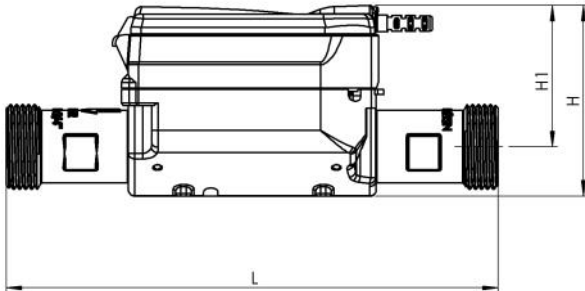
MAINTENANCE: ZENNER Ultrasonic Residential Meters are engineered and manufactured to provide long-term service and operate virtually maintenance free. There are no moving parts to service. The battery pack has a standard life-time of up to 12 years and is designed for easy user replacement. It does not require a return to a ZENNER facility for replacement.

CONFORMANCE: ZENNER Ultrasonic Residential Meters are tested and comply with ANSI/AWWA Standard C750-10.

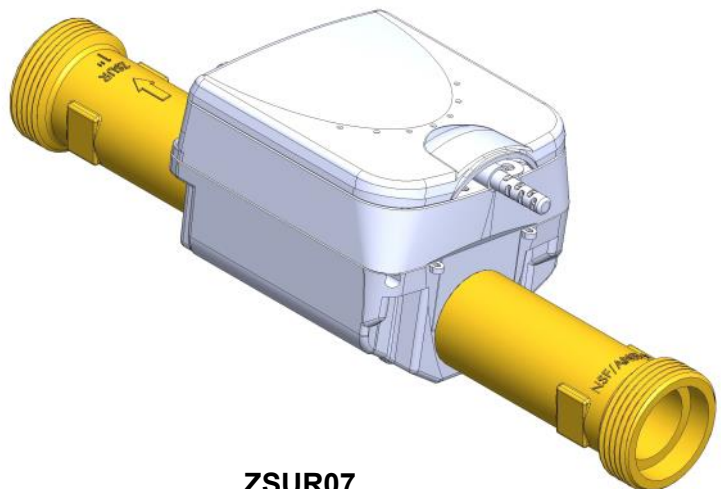
INSTALLATION: ZENNER Ultrasonic Residential Meters are designed to fit the same laying length as most standard multi-jet and positive displacement meters. With no moving parts to damage, these meters can be used safely and accurately with or without a strainer. These meters are submersible and exceed IP68 standards. These meters can be installed in any position, including horizontal and vertical, with flow in the up direction.

CONNECTIONS: These meters have been designed with ease of installation in mind through the use of built-in wrench pads on meter sizes 5/8" through 1". Tailpiece/Unions for installations of meters are available as an option for various pipe types, sizes, and misaligned pipes.

MODEL		ZSUR01	ZSUR02	ZSUR03	ZSUR07			
SIZE		5/8 x 1/2	5/8 x 3/4	3/4" Short	1"			
Maximum continuous (Q3)	USGPM	20	20	30	50			
Optimum operating flow range	USGPM	1/8 - 20	1/8 - 20	1/8 - 30	1/4 - 50			
High flow rate	USGPM	20	20	30	50			
Low flow rate	USGPM	1/16	1/16	1/16	1/8			
Start-up flow rate	USGPM	1/32	1/32	1/32	1/16			
Maximum working pressure	P.S.I.	150	150	150	150			
Pressure loss at Q3	P.S.I.	6	3	6	6			
Environmental temperature limits	Deg. F	40 - 130	40 - 130	40 - 130	40 - 130			
Length	Inches	7 1/2	7 1/2	7 1/2	10 3/4			
Height (H1)	Inches	2 3/16	2 3/16	2 3/16	2 1/4			
Height (H)	Inches	2 15/16	2 15/16	2 15/16	3 1/16			
Width	Inches	3 9/16	3 9/16	3 9/16	4 1/4			
Weight	Pounds	1.6	1.8	1.8	2.6			



ZSUR02



ZSUR07